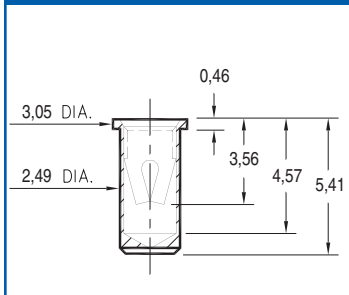
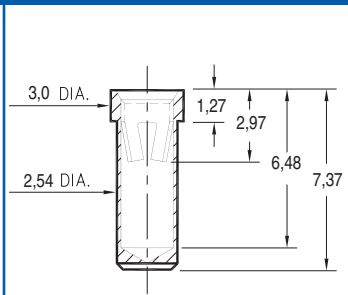


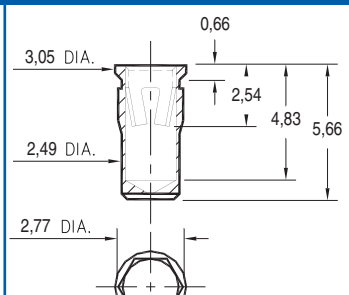
**0364                      0363                      0365                      0366**



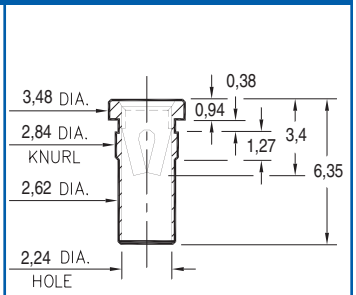
**0364-0-15-XX-13-XX-10-0**  
Solder mount in 2,54 min. mounting hole  
Also available on 16mm wide carrier tape: 1,300 parts per 330mm reel.  
Order as: 0364-0-57-XX-13-XX-10-0



**0363-0-15-XX-23-XX-10-0**  
Solder mount in 2,59 min. mounting hole

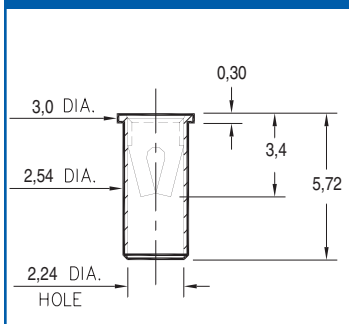


**0365-0-15-XX-23-XX-10-0**  
Hex press-fit in 2,67 plated thru hole

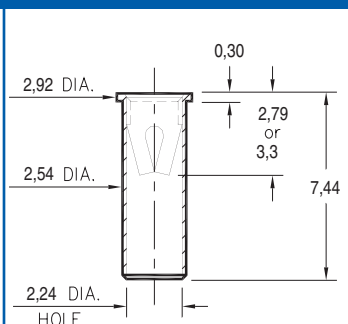


**0366-0-15-XX-13-XX-10-0**  
Press-fit in 2,77 mounting hole

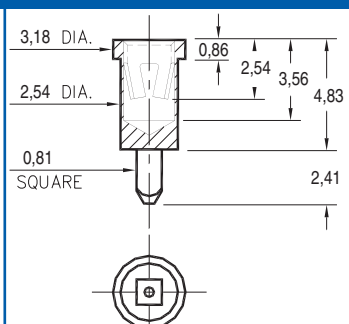
**0372                      0362                      0367                      9324**



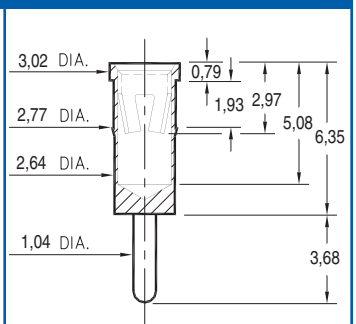
**0372-0-15-XX-13-XX-10-0**  
Solder mount in 2,59 min. mounting hole



**0362-0-15-XX-X3-XX-10-0**  
Solder mount in 2,59 min. mounting hole

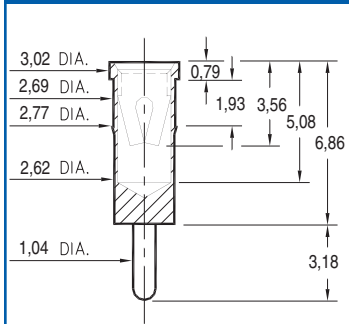


**0367-0-15-XX-23-XX-10-0**  
Square press-fit in 1,02 plated thru hole

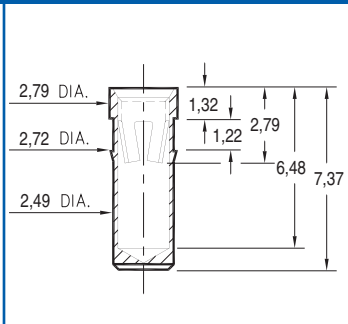


**9324-0-15-XX-23-XX-04-0**  
Press-fit in 2,69 mounting hole

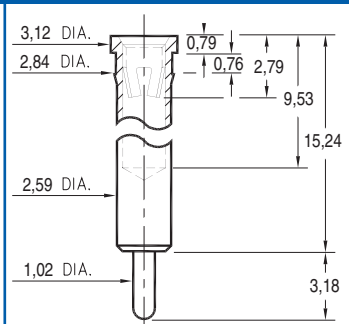
**0492                      0381                      4034                      3044**



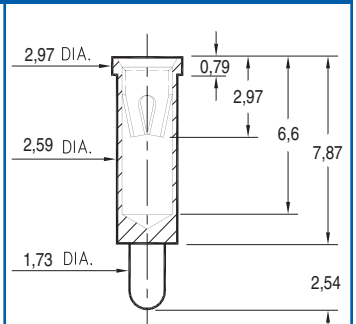
**0492-0-15-XX-13-XX-04-0**  
Press-fit in 2,69 mounting hole



**0381-0-15-XX-23-XX-10-0**  
Press-fit in 2,64 mounting hole



**4034-0-15-XX-23-XX-04-0**  
Press-fit in 2,77 mounting hole



**3044-0-15-XX-23-XX-04-0**  
Solder mount in 2,64 min. mounting hole

<p><b>SPECIFICATIONS</b></p> <p><b>SHELL MATERIAL:</b> Brass Alloy 360, 1/2 Hard</p> <p><b>CONTACT MATERIAL:</b> Beryllium Copper Alloy 172, HT</p> <p><b>PART MANUFACTURED IN INCHES, METRIC FOR REF ONLY</b></p> <p><b>TOLERANCES ON:</b> LENGTHS: ± 0,13 DIAMETERS: ± 0,05 ANGLES: ± 2°</p>	<p><b>ORDER CODE: XXXX - X - 15 - XX - X3 - XX - XX - 0</b></p>	
	<p><b>BASIC PART #</b> →</p> <p><b>SPECIFY SHELL FINISH:</b></p> <p><b>01</b> 5,08µm TIN/LEAD OVER NICKEL</p> <p><b>80</b> 5,08µm TIN OVER NICKEL ◊</p> <p><b>15</b> 0,25µm GOLD OVER NICKEL ◊</p>	<p><b>SPECIFY CONTACT FINISH:</b></p> <p><b>01</b> 5,08µm TIN/LEAD OVER NICKEL</p> <p><b>80</b> 5,08µm TIN OVER NICKEL ◊</p> <p><b>27</b> 0,76µm GOLD OVER NICKEL ◊</p>
<p><b>SELECT CONTACT</b> #13 or #23 CONTACT (DATA ON PAGE 214)</p>		



Downloaded from Elcodis.com electronic components distributor