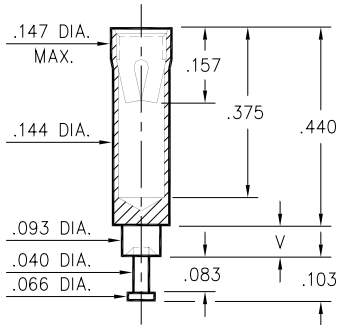


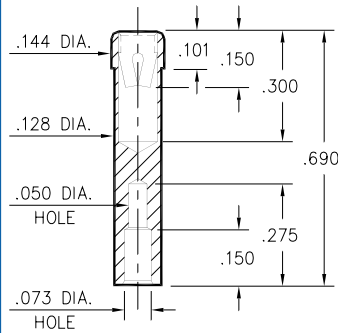
### 0395



Basic Part Number	Board Thickness	Length V
0395-1	.031	.062
0395-2	.062	.094
0395-3	.094	.125
0395-4	.125	.156
0395-5	.188	.219

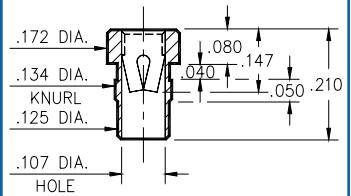
**0395-X-15-XX-07-XX-10-0**  
Swage mount in .096 hole

### 8001



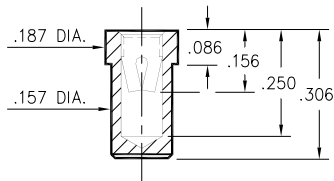
**8001-0-19-XX-07-XX-10-0**  
Wire Termination

### 8016



**8016-0-15-XX-07-XX-10-0**  
Press-fit in .131 mounting hole

### 8837



**8837-0-15-XX-14-XX-10-0**  
Solder mount in .159 min. mounting hole

#### SPECIFICATIONS

**SHELL MATERIAL:**  
Brass Alloy 360, 1/2 Hard

**CONTACT MATERIAL:**  
Beryllium Copper Alloy 172, HT

**DIMENSION IN INCHES**  
**TOLERANCES ON:**  
LENGTHS: ±.005  
DIAMETERS: ±.002  
ANGLES: ± 2°

**ORDER CODE: XXXX - X - 15 - XX - XX - XX - 10 - 0**

**BASIC PART #** →

**SPECIFY SHELL FINISH:** →

**01** 200μ" TIN/LEAD OVER NICKEL  
**15** 10μ" GOLD OVER NICKEL

**SPECIFY CONTACT FINISH:** →

**01** 200μ" TIN/LEAD OVER NICKEL  
**14** 10μ" GOLD OVER NICKEL  
**27** 30μ" GOLD OVER NICKEL

**SELECT CONTACT**

**#07 OR #14 CONTACT (DATA ON PAGES 214 & 215)**