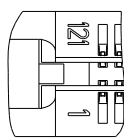
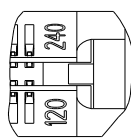


Tolerances unless otherwise specified		
linear	.X	±0.38
	.XX	±0.25
	.XXX	±0.13
angles	X°	±2°



DETAIL A  
SCALE 3.000

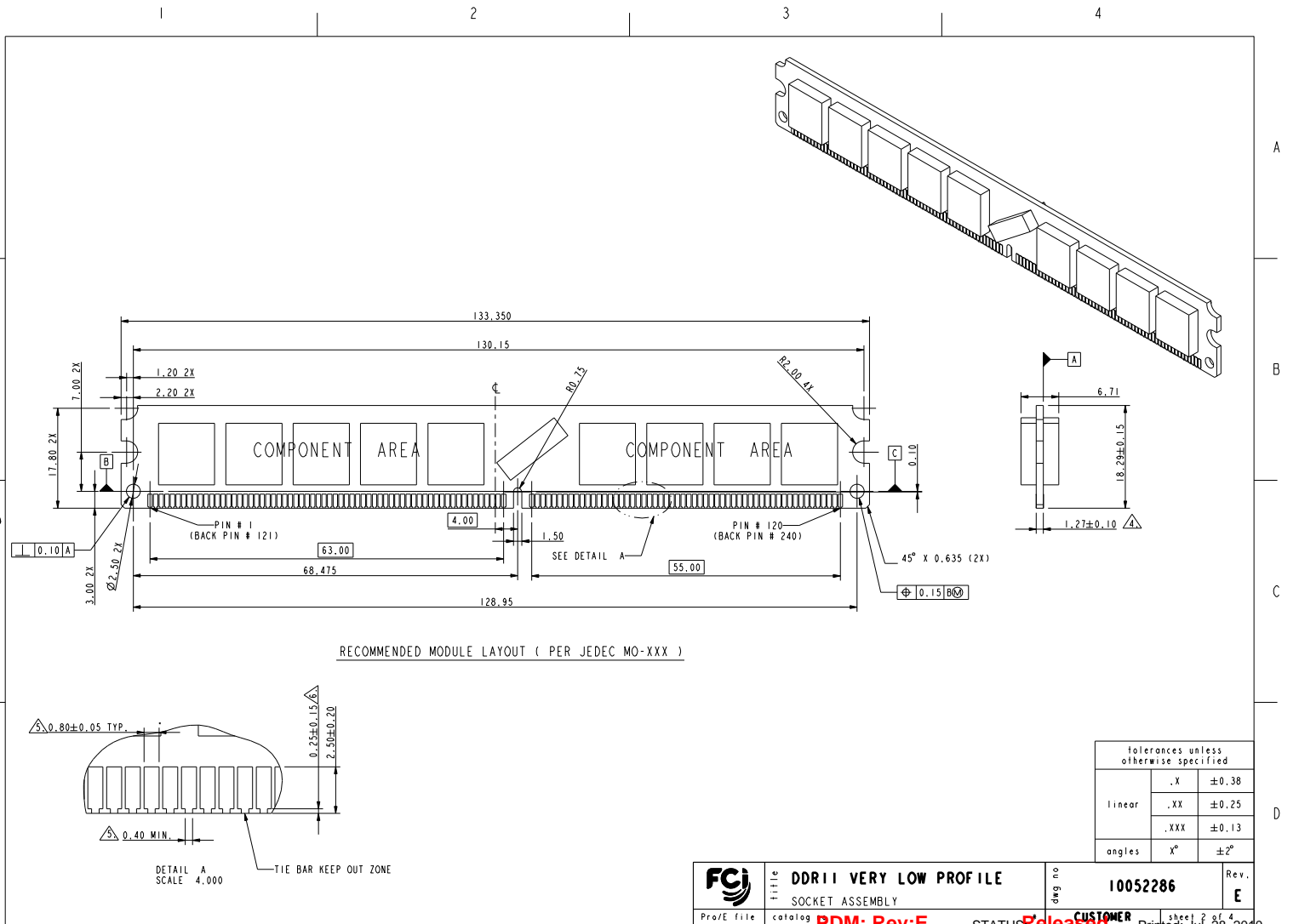


DETAIL B  
SCALE 3.000

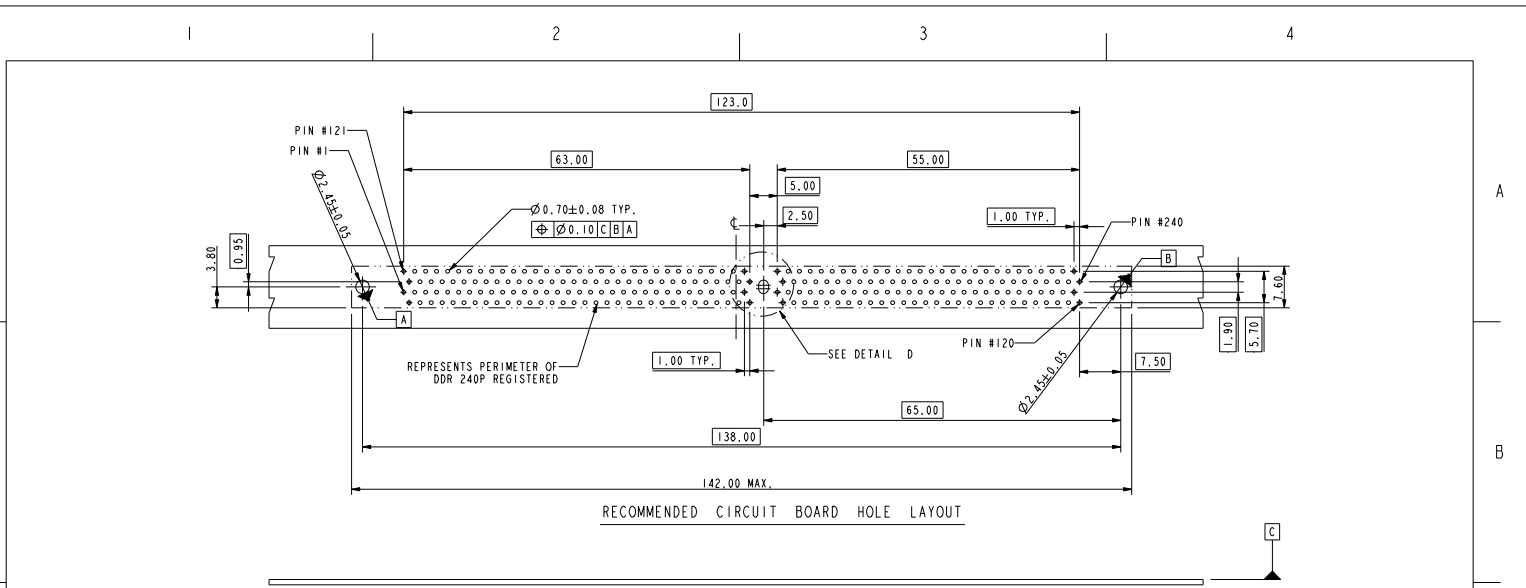
Mark with WITH_OPEN_LATCH REV. E in area indicated by X.....		Material * Mat code Heat treat Plating/Finish	Spec ref * Tolerance ✓ projection  MM size A4 Scale 1.000																								
Dr RICHARD CHIU 01/11/05 Eng RICHARD CHIU 01/11/05 Chr PAUL WANG 01/11/05 Appr JOSEPH HSIA 01/11/05	Product family Model Name WITH_OPEN_LATCH Model Revision 1	REL Level RELEASED	Rev. E																								
<table border="1"> <thead> <tr> <th>rev</th> <th>ecn no</th> <th>dr</th> <th>date</th> </tr> </thead> <tbody> <tr> <td>A</td> <td>DG06-0047</td> <td>WK</td> <td>02/13/06</td> </tr> <tr> <td>B</td> <td>DG06-0093</td> <td>CS</td> <td>03/06/06</td> </tr> <tr> <td>C</td> <td>DG06-0506</td> <td>CS</td> <td>12/05/06</td> </tr> <tr> <td>D</td> <td>DG06-0547</td> <td>CS</td> <td>12/21/06</td> </tr> <tr> <td>E</td> <td>DG07-0194</td> <td>CS</td> <td>15/05/07</td> </tr> </tbody> </table>	rev	ecn no	dr	date	A	DG06-0047	WK	02/13/06	B	DG06-0093	CS	03/06/06	C	DG06-0506	CS	12/05/06	D	DG06-0547	CS	12/21/06	E	DG07-0194	CS	15/05/07	FCI title DDR1 VERY LOW PROFILE SOCKET ASSEMBLY Prof/E title catalog	dwg no 10052286	CUSTOMER STATUS Released Printed: Jul 28, 2010
rev	ecn no	dr	date																								
A	DG06-0047	WK	02/13/06																								
B	DG06-0093	CS	03/06/06																								
C	DG06-0506	CS	12/05/06																								
D	DG06-0547	CS	12/21/06																								
E	DG07-0194	CS	15/05/07																								



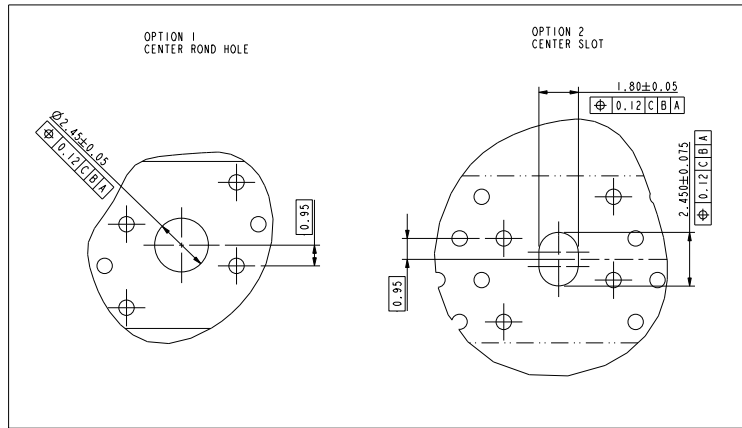
This document is the property of and embodies CONFIDENTIAL and PROPRIETARY information of FCI. No part of the information herein may be disseminated, copied, or reproduced in any form or by any means without the written consent of FCI. Copyright FCI.



	<b>DDR1 VERY LOW PROFILE</b> SOCKET ASSEMBLY	dwg no <b>10052286</b>	Rev. <b>E</b>
	Pro/E file catalog	<b>PDM: Rev:E</b>	STATUS <b>Released</b> CUSTOMER sheet 2 of 4 Printed: Jul 28, 2010



DETAIL D  
SCALE 4.000



Tolerances unless otherwise specified		
linear	.X	±0.38
	.XX	±0.25
	.XXX	±0.13
angles	X°	±2°

	title	DDR11 VERY LOW PROFILE	dwg no <b>10052286</b>	Rev. <b>E</b>
	Prof/E title catalog	SOCKET ASSEMBLY <b>PDM: Rev:E</b>		
CUSTOMER			sheet 3 of 4	Printed: Jul 28, 2010



10052286 - □ □ □ □ □

STYLE : MECHANICAL KEYING

- 1 : 1,8 VOLT. W/TYPE "C"
- 2 : 2,5 VOLT. W/TYPE "L"
- 3 : X.X VOLT. W/TYPE "R"

METAL CLIP

- 1 : WITH METAL CLIP + DIM."D"=3.05
- 2 : WITH METAL CLIP + DIM."D"=3.56
- 3 : WITH METAL CLIP + DIM."D"=3.43

TAIL LENGTH

CODE	DIM. "B"	PCB THICKNESS
0	2.54	1.47 mm (0.058")
1	2.67	1.60 mm (0.063")
2	3.18	2.36 mm (0.093")
3	4.00	3.18 mm (0.125")

PLATING

CODE	CONTACT	SOLDERTAIL	UNDERPLATE
2	15 u" (0.38um) MIN. GOLD	100u" (2.54um) MIN. TIN/LEAD	50u" (1.27um) MIN. NICKEL OVERALL
3	30u" (0.76um) MIN. GOLD		
4	3u" (0.076um) MIN. GOLD		
7LF	15u" (0.38um) MIN. GOLD	100u" (2.54um) MIN. 100% TIN	50u" (1.27um) MIN. NICKEL OVERALL
8LF	30u" (0.76um) MIN. GOLD		
9LF	3u" (0.076um) MIN. GOLD		

COLOR OF HOUSING AND EJECTOR

- 0 : BLACK HOUSING + IVORY EJECTOR
- 1 : BLUE HOUSING + IVORY EJECTOR
- 2 : BLACK HOUSING + BLACK EJECTOR

NOTES:

1. MATERIAL:  
HOUSING: HIGH PERFORMANCE RESINS, GLASS FILLED UL94V-0 RATED.  
EJECTOR: HIGH PERFORMANCE RESINS, GLASS FILLED UL94V-0 RATED.  
TERMINAL: PHOSPHOR BRONZE.  
METAL CLIP: COPPER ALLOY.
2. FCI LOGO TO BE APPROXIMATELY LOCATED AS SHOWN ON PRINT.
3. PRODUCT SPECIFICATION: GS-12-352.
- ⚠️ CARD THICKNESS APPLIES ACROSS TABS AND INCLUDES PLATING AND/OR METALIZATION.
- ⚠️ LEADING EDGE OF CONTACT PADS SPECIFIED BY THE KEEP OUT ZONE SHALL BE FREE OF BURRS AND EXTERNAL TIE BARS. FOR OPTIMUM PERFORMANCE, THE TIE BAR IS TO BE ON AN INTERNAL LAYER SO THAT THE REMNANT CANNOT CAUSE CONTACT DAMAGE.
6. THIS PRODUCT MEETS EUROPEAN UNION DIRECTIVES AND OTHER COUNTRY REGULATIONS AS DESCRIBED IN GS-22-008.
7. THE HOUSING WILL WITH STAND EXPOSURE TO 260°C PEAK TEMPERATURE FOR 10 SECONDS IN A WAVE SOLDER APPLICATION.
8. DATE CODE:XXXXXX\* MEANS MONTH/DAY/YEAR.  
"\*" MEANS PRODUCTION LINE CODE.

	<b>Title</b> DDRII VERY LOW PROFILE SOCKET ASSEMBLY		<b>Orig. no.</b> 10052286	<b>Rev.</b> E
	<b>Prod/E file</b>	<b>catalog</b> PDM: Rev:E	<b>STATUS</b> Released	<b>CUSTOMER</b>