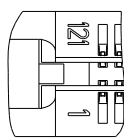
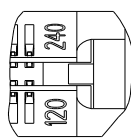


| Tolerances unless otherwise specified |      |       |
|---------------------------------------|------|-------|
| linear                                | .X   | ±0.38 |
|                                       | .XX  | ±0.25 |
|                                       | .XXX | ±0.13 |
| angles                                | X°   | ±2°   |



DETAIL A  
SCALE 3.000

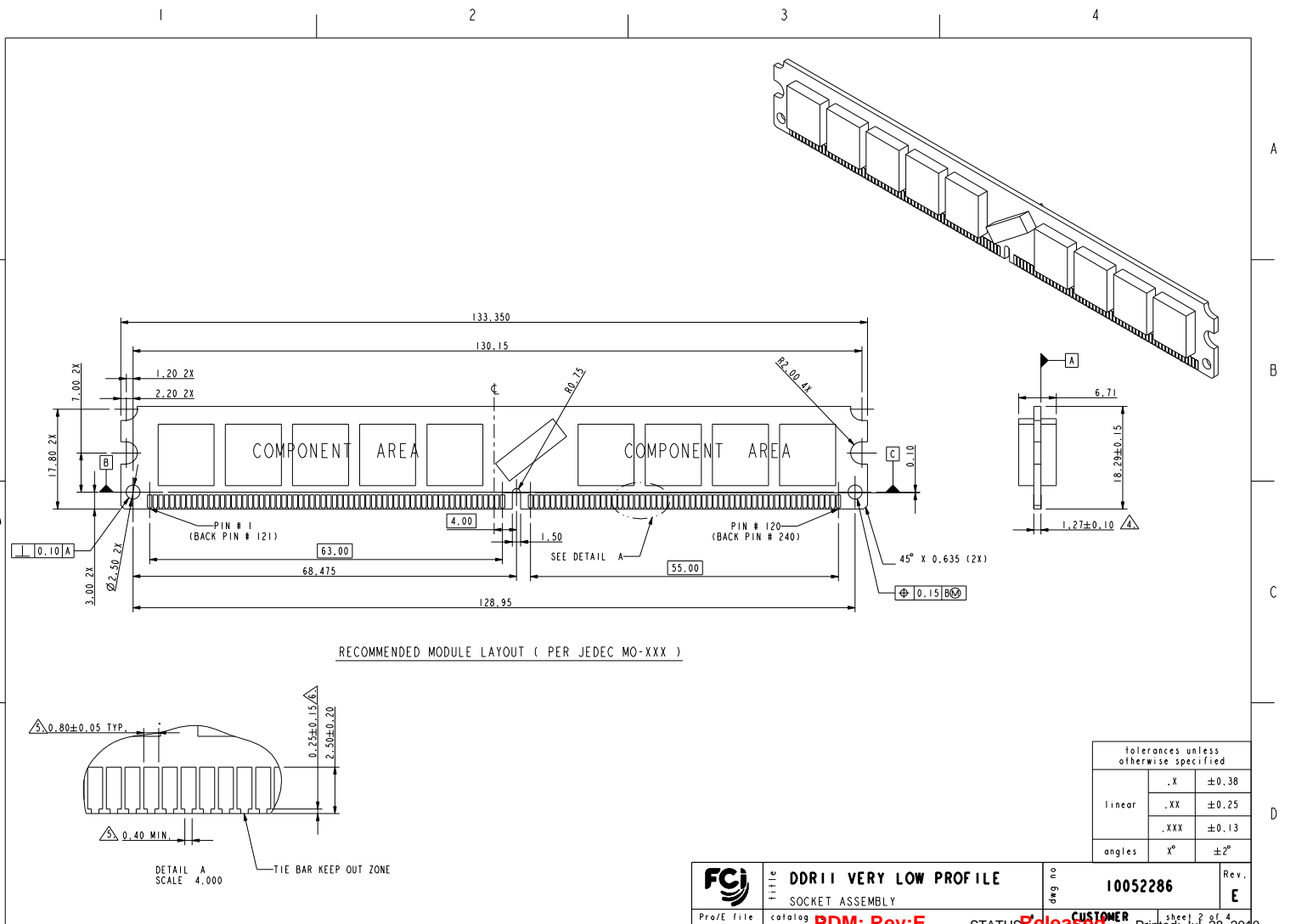


DETAIL B  
SCALE 3.000

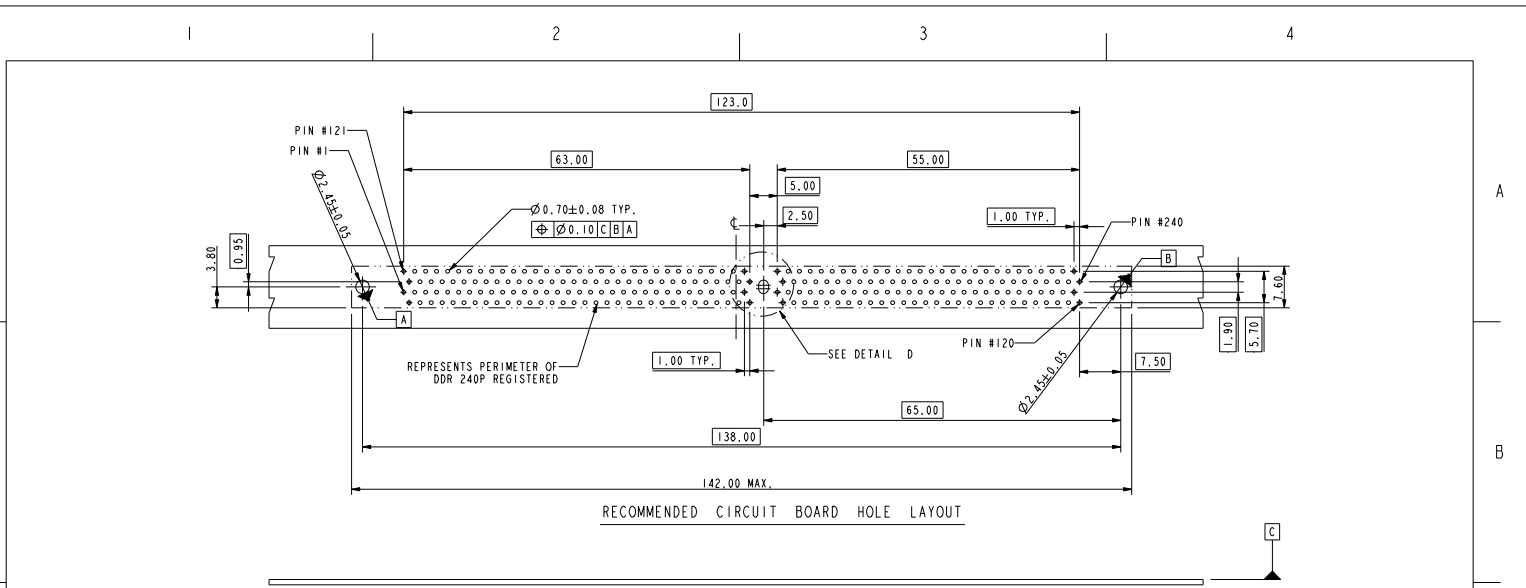
|   |                |   |                |                           |           |                                   |            |          |
|---|----------------|---|----------------|---------------------------|-----------|-----------------------------------|------------|----------|
| Mark with<br><b>WITH_OPEN_LATCH</b><br>REV. E<br>in area indicated<br>by X..... | Material       | *   | Spec ref       | *                         | Tolerance | ✓                                 | projection | MM       |
|   | Mat code       |   |                |                           |           |                                   | size       | A4       |
|   | Heat treat     |   |                |                           |           |                                   | Scale      | 1.000    |
|   | Plating/Finish |   |                |                           |           |                                   | REL Level  | RELEASED |
|   | Dr             | RICHARD CHIU                                    | 01/11/05       | Product family            | ECN       | DG06-0506                         | REL Level  | RELEASED |
| Eng   | RICHARD CHIU   | 01/11/05  | Model Name     | WITH_OPEN_LATCH           |           |                                   |            |          |
| Chr   | PAUL WANG      | 01/11/05  | Model Revision | 1                         |           |                                   |            |          |
| Appr  | JOSEPH HSIA    | 01/11/05  |                |                           |           |                                   |            |          |
|   |                | <b>DDR1 VERY LOW PROFILE</b><br>SOCKET ASSEMBLY |                | dwg no<br><b>10052286</b> |           | Rev.<br><b>E</b>                  |            |          |
| Prof/E title  | catalog        | <b>PDM: Rev:E</b>                               |                | STATUS <b>Released</b>    |           | CUSTOMER<br>Printed: Jul 28, 2010 |            |          |



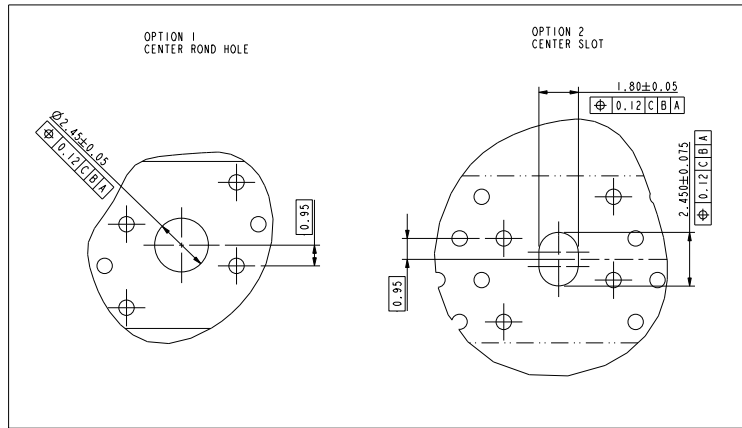
This document is the property of and embodies CONFIDENTIAL and PROPRIETARY information of FCI. No part of the information herein may be disseminated, copied, or used in any way without the written consent of FCI. Copyright FCI.



|  |                          |                          |                       |            |                  |          |              |        |
|--|--------------------------|--------------------------|-----------------------|------------|------------------|----------|--------------|--------|
|  | title                    | DDR1 VERY LOW PROFILE    | Pro/E file<br>catalog | PDM: Rev:E | STATUS: Released | CUSTOMER | sheet 2 of 4 | Rev. E |
|  | title<br>SOCKET ASSEMBLY | title<br>SOCKET ASSEMBLY |                       |            |                  |          |              |        |



DETAIL D  
SCALE 4.000



REV 17 2006-04-11

| Tolerances unless otherwise specified |      |               |
|---------------------------------------|------|---------------|
| linear                                | .X   | $\pm 0.38$    |
|                                       | .XX  | $\pm 0.25$    |
|                                       | .XXX | $\pm 0.13$    |
| angles                                | X°   | $\pm 2^\circ$ |

|                       |            |                        |        |          |           |
|-----------------------|------------|------------------------|--------|----------|-----------|
|                       | title      | DDR11 VERY LOW PROFILE | dwg no | 10052286 | Rev.<br>E |
|                       | catalog    | SOCKET ASSEMBLY        |        |          |           |
| Prof/E title          | PDM: Rev:E |                        | STATUS | Released | CUSTOMER  |
|                       |            |                        | sheet  | 3        | of 4      |
| Printed: Jul 28, 2010 |            |                        |        |          |           |



10052286 - □ □ □ □ □

STYLE : MECHANICAL KEYING

- 1 : 1,8 VOLT. W/TYPE "C"
- 2 : 2,5 VOLT. W/TYPE "L"
- 3 : X.X VOLT. W/TYPE "R"

METAL CLIP

- 1 : WITH METAL CLIP + DIM."D"=3.05
- 2 : WITH METAL CLIP + DIM."D"=3.56
- 3 : WITH METAL CLIP + DIM."D"=3.43

TAIL LENGTH

| CODE | DIM. "B" | PCB THICKNESS    |
|------|----------|------------------|
| 0    | 2.54     | 1.47 mm (0.058") |
| 1    | 2.67     | 1.60 mm (0.063") |
| 2    | 3.18     | 2.36 mm (0.093") |
| 3    | 4.00     | 3.18 mm (0.125") |

PLATING

| CODE | CONTACT                  | SOLDERTAIL                   | UNDERPLATE                        |
|------|--------------------------|------------------------------|-----------------------------------|
| 2    | 15 u" (0.38um) MIN. GOLD | 100u" (2.54um) MIN. TIN/LEAD | 50u" (1.27um) MIN. NICKEL OVERALL |
| 3    | 30u" (0.76um) MIN. GOLD  |                              |                                   |
| 4    | 3u" (0.076um) MIN. GOLD  |                              |                                   |
| 7LF  | 15u" (0.38um) MIN. GOLD  | 100u" (2.54um) MIN. 100% TIN | 50u" (1.27um) MIN. NICKEL OVERALL |
| 8LF  | 30u" (0.76um) MIN. GOLD  |                              |                                   |
| 9LF  | 3u" (0.076um) MIN. GOLD  |                              |                                   |

COLOR OF HOUSING AND EJECTOR

- 0 : BLACK HOUSING + IVORY EJECTOR
- 1 : BLUE HOUSING + IVORY EJECTOR
- 2 : BLACK HOUSING + BLACK EJECTOR

NOTES:

1. MATERIAL:  
HOUSING: HIGH PERFORMANCE RESINS, GLASS FILLED UL94V-0 RATED.  
EJECTOR: HIGH PERFORMANCE RESINS, GLASS FILLED UL94V-0 RATED.  
TERMINAL: PHOSPHOR BRONZE.  
METAL CLIP: COPPER ALLOY.
2. FCI LOGO TO BE APPROXIMATELY LOCATED AS SHOWN ON PRINT.
3. PRODUCT SPECIFICATION: GS-12-352.
- △ CARD THICKNESS APPLIES ACROSS TABS AND INCLUDES PLATING AND/OR METALIZATION.
- △ LEADING EDGE OF CONTACT PADS SPECIFIED BY THE KEEP OUT ZONE SHALL BE FREE OF BURRS AND EXTERNAL TIE BARS. FOR OPTIMUM PERFORMANCE, THE TIE BAR IS TO BE ON AN INTERNAL LAYER SO THAT THE REMNANT CANNOT CAUSE CONTACT DAMAGE.
6. THIS PRODUCT MEETS EUROPEAN UNION DIRECTIVES AND OTHER COUNTRY REGULATIONS AS DESCRIBED IN GS-22-008.
7. THE HOUSING WILL WITH STAND EXPOSURE TO 260°C PEAK TEMPERATURE FOR 10 SECONDS IN A WAVE SOLDER APPLICATION.
8. DATE CODE:XXXXXX\* MEANS MONTH/DAY/YEAR.  
"\*" MEANS PRODUCTION LINE CODE.

|            |                               |            |                           |                  |
|------------|-------------------------------|------------|---------------------------|------------------|
|            | <b>DDR11 VERY LOW PROFILE</b> |            | dwg no<br><b>10052286</b> | Rev.<br><b>E</b> |
|            | SOCKET ASSEMBLY               |            |                           |                  |
| Pro/E file | catalog                       | PDM: Rev:E | STATUS: Released          | CUSTOMER         |