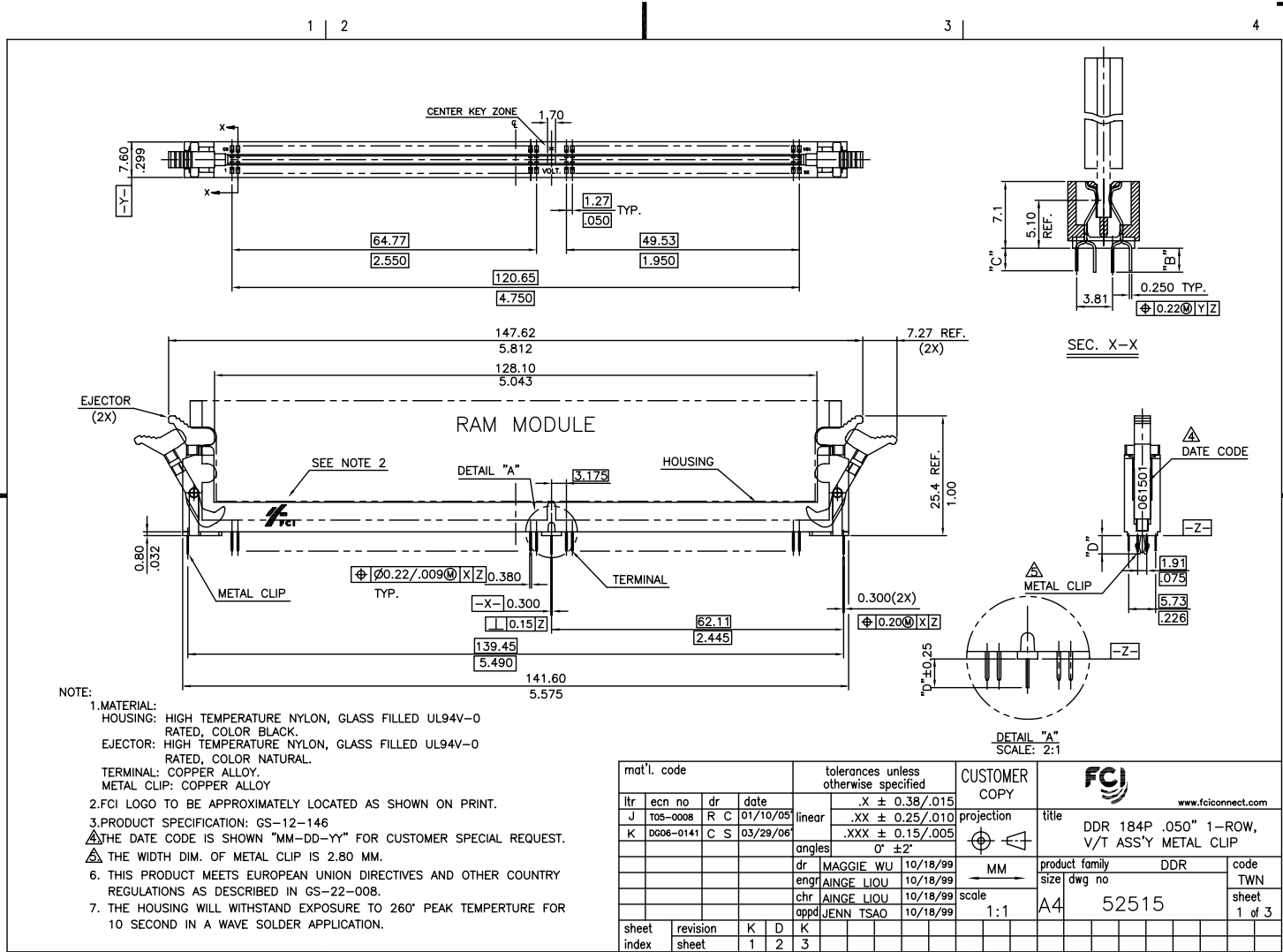


Tous droits strictement réservés. Reproduction ou communication e des plans interdite sous quelque forme que ce soit sans autorisation écrite du propriétaire. Propriété de c FCI. Droits de reproduction FCI.



All rights strictly reserved. Reproduction or issue to third parties in any form whatever is not permitted without written authority from the proprietor. Property of FCI. Copyright FCI.



- NOTE:
- MATERIAL:  
HOUSING: HIGH TEMPERATURE NYLON, GLASS FILLED UL94V-0 RATED, COLOR BLACK.  
EJECTOR: HIGH TEMPERATURE NYLON, GLASS FILLED UL94V-0 RATED, COLOR NATURAL.  
TERMINAL: COPPER ALLOY.  
METAL CLIP: COPPER ALLOY
  - FCI LOGO TO BE APPROXIMATELY LOCATED AS SHOWN ON PRINT.
  - PRODUCT SPECIFICATION: GS-12-146
  - THE DATE CODE IS SHOWN "MM-DD-YY" FOR CUSTOMER SPECIAL REQUEST.
  - THE WIDTH DIM. OF METAL CLIP IS 2.80 MM.
  - THIS PRODUCT MEETS EUROPEAN UNION DIRECTIVES AND OTHER COUNTRY REGULATIONS AS DESCRIBED IN GS-22-008.
  - THE HOUSING WILL WITHSTAND EXPOSURE TO 260° PEAK TEMPERATURE FOR 10 SECOND IN A WAVE SOLDER APPLICATION.

mat'l. code				tolerances unless otherwise specified		CUSTOMER COPY		FCI	
lir	ecn no	dr	date	linear	.X ± 0.38/.015	projection	title	www.fciconnect.com	
J	105-0008	R C	01/10/05		.XX ± 0.25/.010		DDR 184P .050" 1-ROW, V/T ASS'Y METAL CLIP	product family	DDR
K	0606-0141	C S	03/29/06	angles	.XXX ± 0.15/.005			size	dwg no
				dr	0° ±2°	MM		TWN	
				eng		scale	A4	sheet	
				chr		1:1	52515	1 of 3	
				appd					
sheet index	revision sheet	K	D	K					
		1	2	3					

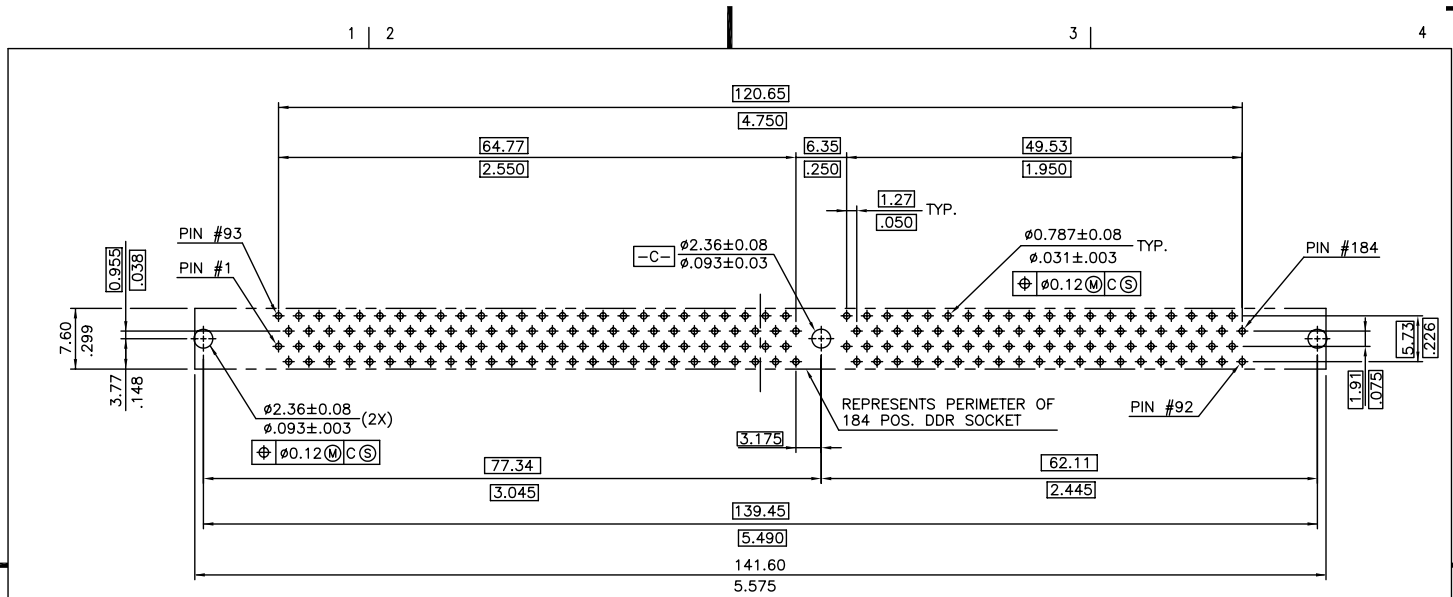
ACAD PDM: Rev:K STATUS Released cage code 22526 Printed: Jul 28, 2010



Tous droits strictement réservés. Reproduction ou communication à des fins autres que celles autorisées sans la permission écrite du propriétaire. Property of FCI. Droits de reproduction FCI.



All rights strictly reserved. Reproduction or issue to third parties in any form whatsoever is not permitted without written authority from the proprietor. Property of FCI. Copyright FCI.



DDR ASSEMBLY PART NUMBER

5 2 5 1 5 - □ □ □ □

RECOMMENDED CIRCUIT BOARD HOLE LAYOUT

STYLE

- 1 : FOR 3.3 VOLT.
- 2 : FOR 2.5 VOLT.
- 3 : FOR 1.8 VOLT.



METAL CLIP

- 1 : WITH METAL CLIP + DIM."D"=4.00/.157.
- 2 : WITH METAL CLIP + DIM."D"=3.50/.137.

TAIL LENGTH

CODE	DIM. "B"	DIM. "C"
0	2.59 .102	2.44 .096
1	3.35 .132	3.20 .126
2	3.65 .144	3.50 .138

PLATING

CODE	CONTACT	SOLDERTAIL	UNDERPLATE	CODE	CONTACT	SOLDERTAIL	UNDERPLATE
2	15μ" (0.38μm) MIN. GOLD			7LF	15μ" (0.38μm) MIN. GOLD		
3	30μ" (0.76μm) MIN. GOLD	100μ" (2.54μm) MIN. TIN/LEAD	50μ" (1.27μm) MIN. NICKEL OVERALL	8LF	30μ" (0.76μm) MIN. GOLD	100μ" (2.54μm) MIN. 100%TIN	50μ" (1.27μm) MIN. NICKEL OVERALL
4	GOLD FLASH			9LF	GOLD FLASH		

COLOR OF HOUSING AND EJECTOR

0 : BLACK HOUSING + IVORY EJECTOR

mat'l. code				tolerances unless otherwise specified		CUSTOMER COPY		FCI	
ltr	ecn no	dr	date	linear	.X ± 0.38/.015	projection	title	www.fciconnect.com	
K				angles	.XX ± 0.25/.010		DDR 184P .050" 1-ROW, V/T ASS'Y METAL CLIP	product family DDR	
				dr	.XXX ± 0.15/.005			MM	size
				eng	0° ± 2°	scale	dwg no	52515	TWN
				chr		1:1		3 of	
				appd					
sheet index	revision sheet								

ACAD

PDM: Rev:K

STATUS Released

cage code 22526

Printed: Jul 28, 2010