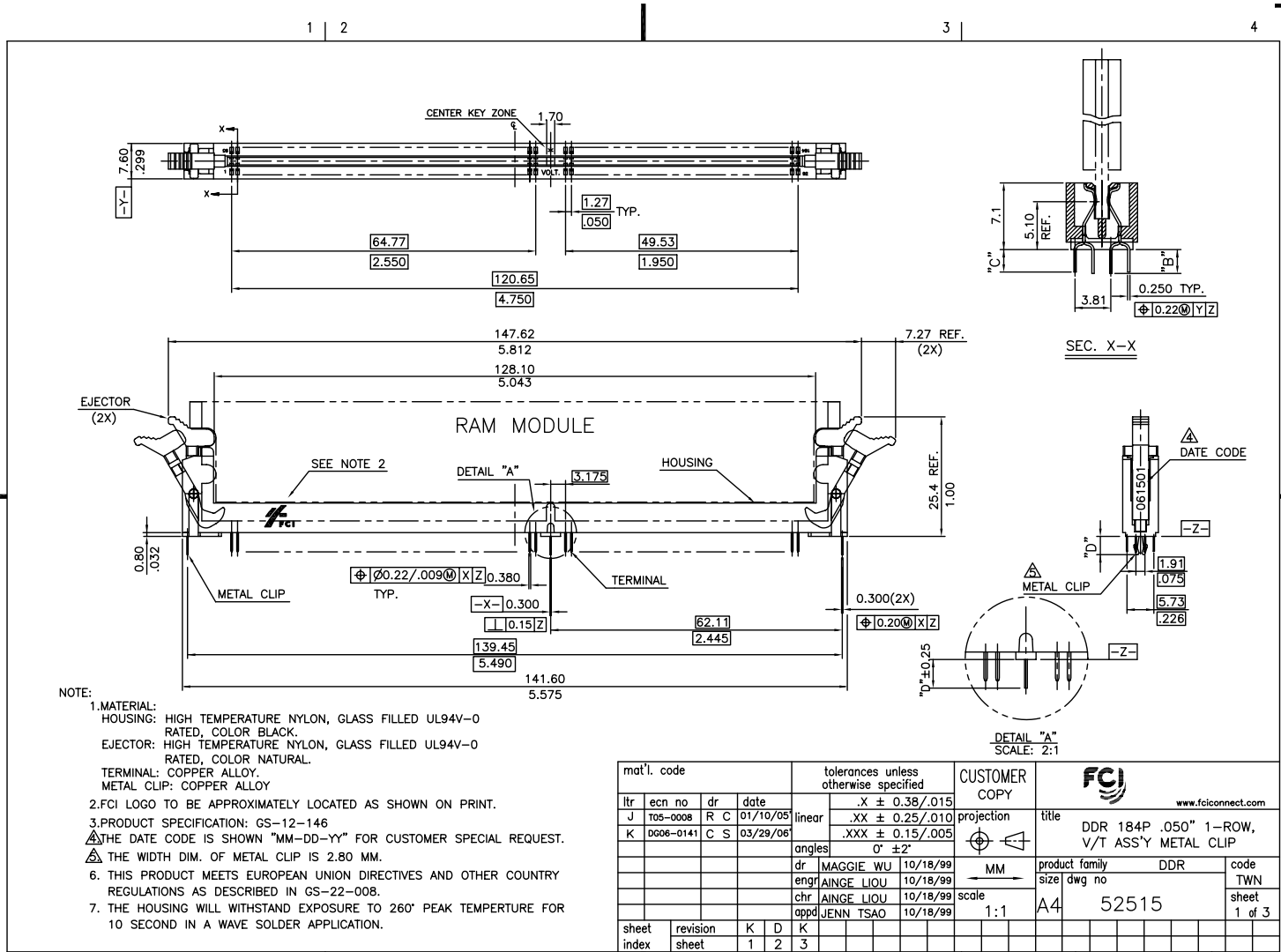


Tous droits strictement réservés. Reproduction ou communication e des plans interdite sous quelque forme que ce soit sans autorisation écrite du propriétaire. Propriété de c FCI. Droits de reproduction FCI.



All rights strictly reserved. Reproduction or issue to third parties in any form whatever is not permitted without written authority from the proprietor. Property of FCI. Copyright FCI.



- NOTE:
1. MATERIAL:  
HOUSING: HIGH TEMPERATURE NYLON, GLASS FILLED UL94V-0 RATED, COLOR BLACK.  
EJECTOR: HIGH TEMPERATURE NYLON, GLASS FILLED UL94V-0 RATED, COLOR NATURAL.  
TERMINAL: COPPER ALLOY.  
METAL CLIP: COPPER ALLOY
  2. FCI LOGO TO BE APPROXIMATELY LOCATED AS SHOWN ON PRINT.
  3. PRODUCT SPECIFICATION: GS-12-146
  4. THE DATE CODE IS SHOWN "MM-DD-YY" FOR CUSTOMER SPECIAL REQUEST.
  5. THE WIDTH DIM. OF METAL CLIP IS 2.80 MM.
  6. THIS PRODUCT MEETS EUROPEAN UNION DIRECTIVES AND OTHER COUNTRY REGULATIONS AS DESCRIBED IN GS-22-008.
  7. THE HOUSING WILL WITHSTAND EXPOSURE TO 260° PEAK TEMPERATURE FOR 10 SECOND IN A WAVE SOLDER APPLICATION.

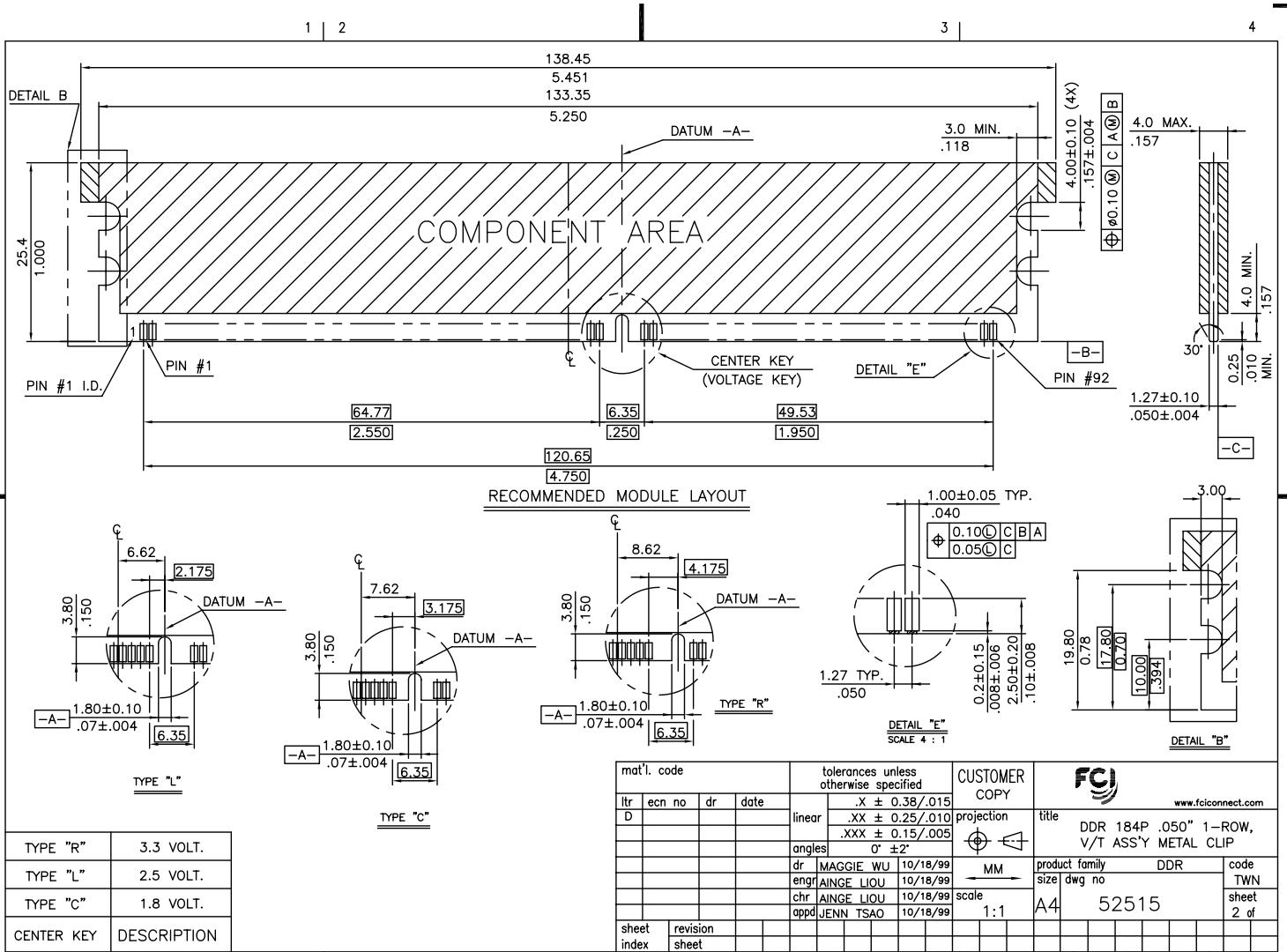
mat'l. code				tolerances unless otherwise specified		CUSTOMER COPY		FCI			
lir	ecn no	dr	date	linear	.X ± 0.38/.015	projection	title	www.fciconnect.com			
J	105-0008	R C	01/10/05		.XX ± 0.25/.010	MM	DDR 184P .050" 1-ROW, V/T ASS'Y METAL CLIP	product family	DDR		
K	0606-0141	C S	03/29/06	angles	.XXX ± 0.15/.005			size	dwg no	code	TWN
				dr	0° ± 2°	scale	1:1	A4	52515	sheet	1 of 3
				eng	MAGGIE WU 10/18/99						
				chr	AINGE LIUO 10/18/99						
				appd	JENN TSAO 10/18/99						
sheet index	revision sheet	K	D	K							
		1	2	3							

ACAD PDM: Rev:K STATUS Released cage code 22526 Printed: Jul 28, 2010

Tous droits strictement réservés. Reproduction ou communication à des fins autres que celles autorisées sans la permission écrite du propriétaire. Propriété de FCI. Droits de reproduction FCI.



All rights strictly reserved. Reproduction or issue to third parties in any form whatsoever is not permitted without written authority from the proprietor. Property of FCI. Copyright FCI.



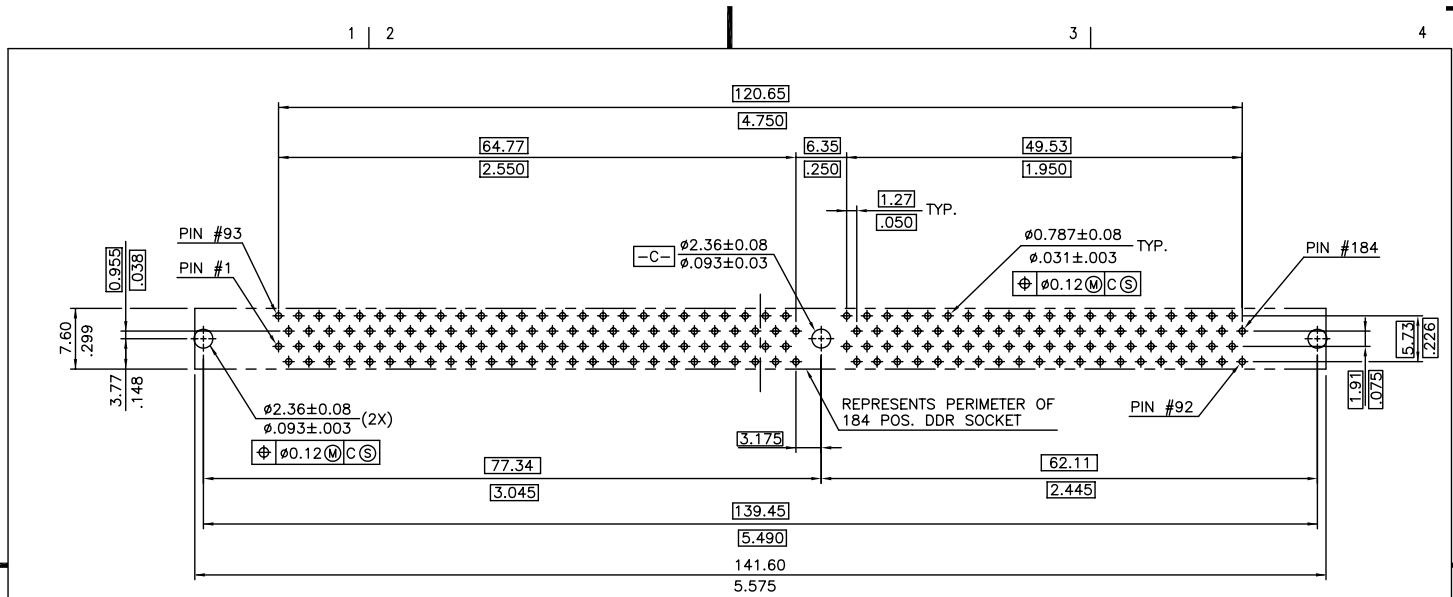
TYPE "R"	3.3 VOLT.
TYPE "L"	2.5 VOLT.
TYPE "C"	1.8 VOLT.
CENTER KEY	DESCRIPTION

mat'l. code		tolerances unless otherwise specified		CUSTOMER COPY		FCI	
lfr	ecn no	dr	date	linear	projection	www.fciconnect.com	
D				.X ± 0.38/.015	MM	title	
				.XX ± 0.25/.010		DDR 184P .050" 1-ROW, V/T ASS'Y METAL CLIP	
				angles	MM	product family	code
				dr	1:1	DDR	TWN
				eng		size	sheet
				chr		52515	2 of
				appd			
sheet index	revision sheet			cage code		22526	
				ACAD		PDM: Rev:K STATUS Released	
						Printed: Jul 28, 2010	

Tous droits strictement réservés. Reproduction ou communication à des fins interdites sous quelque forme que ce soit sans autorisation écrite du propriétaire. Property of FCI. Droits de reproduction FCI.



All rights strictly reserved. Reproduction or issue to third parties in any form whatsoever is not permitted without written authority from the proprietor. Property of FCI. Copyright FCI.



DDR ASSEMBLY PART NUMBER

5 2 5 1 5 - □ □ □ □

RECOMMENDED CIRCUIT BOARD HOLE LAYOUT

STYLE

- 1 : FOR 3.3 VOLT.
- 2 : FOR 2.5 VOLT.
- 3 : FOR 1.8 VOLT.



METAL CLIP

- 1 : WITH METAL CLIP + DIM."D"=4.00/.157.
- 2 : WITH METAL CLIP + DIM."D"=3.50/.137.

TAIL LENGTH

CODE	DIM. "B"	DIM. "C"
0	2.59 .102	2.44 .096
1	3.35 .132	3.20 .126
2	3.65 .144	3.50 .138

PLATING

CODE	CONTACT	SOLDERTAIL	UNDERPLATE	CODE	CONTACT	SOLDERTAIL	UNDERPLATE
2	15μ" (0.38μm) MIN. GOLD	100μ" (2.54μm) MIN. TIN/LEAD	50μ" (1.27μm) MIN. NICKEL OVERALL	7LF	15μ" (0.38μm) MIN. GOLD	100μ" (2.54μm) MIN. 100% TIN	50μ" (1.27μm) MIN. NICKEL OVERALL
3	30μ" (0.76μm) MIN. GOLD			8LF	30μ" (0.76μm) MIN. GOLD		
4	GOLD FLASH			9LF	GOLD FLASH		

COLOR OF HOUSING AND EJECTOR

0 : BLACK HOUSING + IVORY EJECTOR

mat'l. code				tolerances unless otherwise specified		CUSTOMER COPY		FCI	
ltr	ecn no	dr	date	linear	.X ± 0.38/.015	projection	title	www.fciconnect.com	
K				angles	.XX ± 0.25/.010		DDR 184P .050" 1-ROW, V/T ASS'Y METAL CLIP	product family DDR	
				dr	.XXX ± 0.15/.005			MM	size
				eng	0° ± 2°	scale	dwg no	size	sheet
				chr		1:1	A4	52515	3 of
				appd					
sheet index	revision sheet								
								cage code	
								22526	

ACAD

PDM: Rev:K

STATUS Released

Printed: Jul 28, 2010