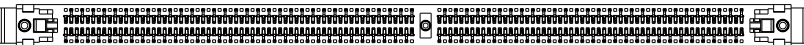
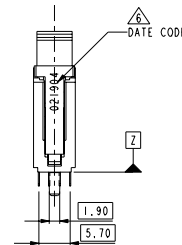
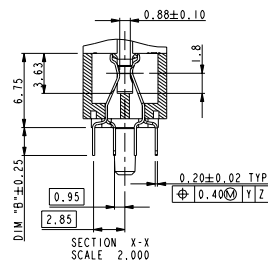
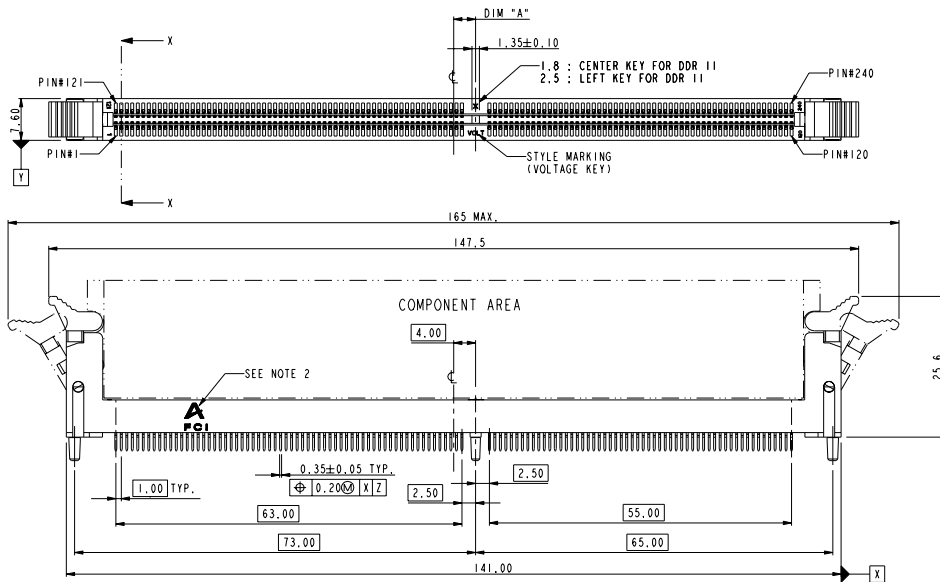




PRODUCT NO.
10023061-XXXX



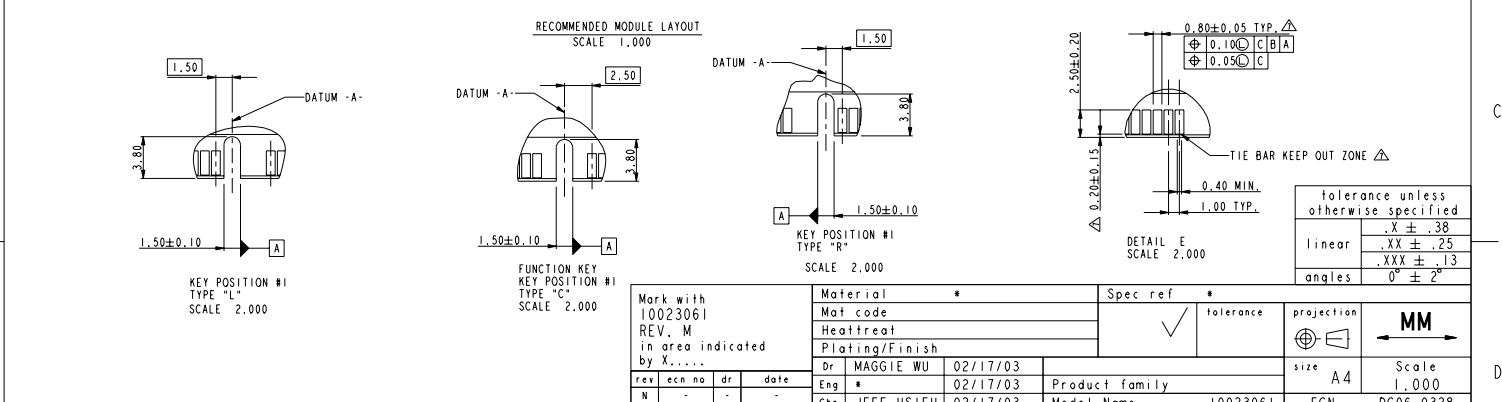
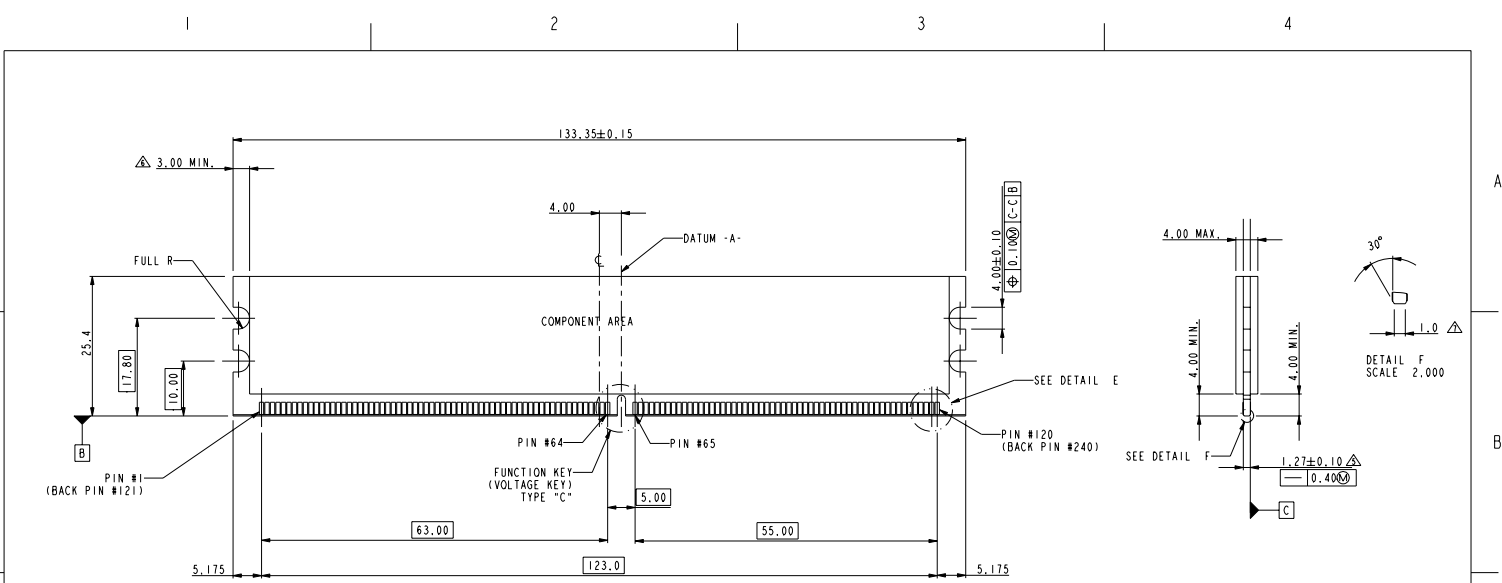
PART NO.	DIM "A"	DESCRIPTION
10023061-1XXXX	4.00	1.8V
10023061-2XXXX	3.00	2.5V
10023061-3XXXX	5.00	X, XV

Mark with
10023061
REV.
in area indicated

rev	ecn no	dr	date
N	DG06-0328	C S	10/08/06

Material	*	Spec ref	
Mat code		tolerance	✓
Heat treat		projection	MM
Plating/Finish		size	A4
Dr MAGGIE WU	02/17/03	Product family	ECN
Eng JEFF. HSIEH	02/17/03	Model Name	DG06-0328
Chr JEFF. HSIEH	02/17/03	Model Revision	1
Appr JENN TSAO	02/17/03	REL Level	
FCI logo	title	DRR II 240P PLASTIC POST. ASS'Y	Rev. N
Pro/E file	catalog	PDM: Rev:N	STATUS Released

tolerance unless otherwise specified
linear
angles

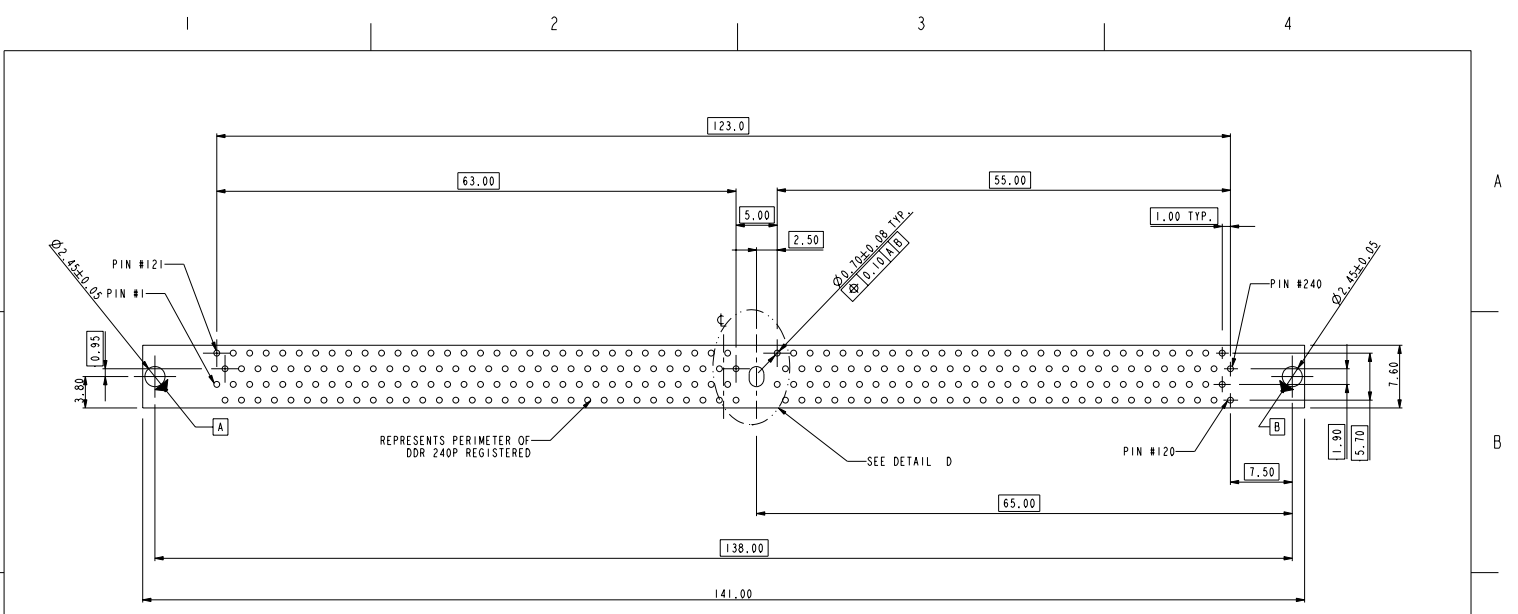


TYPE "R"	X.X VOLTAGE
TYPE "L"	2.5 VOLTAGE
TYPE "C"	1.8 VOLTAGE
SUB KEY POS #1	DESCRIPTION

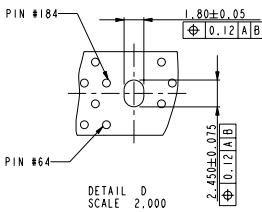
TOLERANCES, UNLESS OTHERWISE SPECIFIED	
LINEAR	0.X ±0.3
	0.XX ±0.15
	0.XXX ±0.100
ANGULAR	0° ±2°

Mark with 10023061 REV. M in area indicated by X.....	Material *	Spec ref *
rev	Mat code	tolerance
ecn no	Heat treat	projection
dr	Plating/Finish	size
date	Dr MAGGIE WU 02/17/03	Scale
	Eng * 02/17/03	1.000
	Chr JEFF HSIEH 02/17/03	Product family
	Appr JEFF HSIEH 02/17/03	Model Name 10023061
		Model Revision 1
		REL Level CONCEPT

Dr MAGGIE WU 02/17/03	Product family	size A4	Scale 1.000
Eng * 02/17/03	Model Name 10023061	ECN DG06-0328	REL Level CONCEPT
Chr JEFF HSIEH 02/17/03	Model Revision 1	REL Level CONCEPT	
Appr JEFF HSIEH 02/17/03			
FCI Logo	Title DDR 11 240P V/T PLASTIC POST, ASS'Y	dwg no 10023061	Rev. N
Prof/E file catalog	PDM: Rev:N	STATUS Released	Printed: Jul 26, 2010



RECOMMENDED CIRCUIT BOARD HOLE LAYOUT



tolerance unless otherwise specified	
linear	.X ± .38 .XX ± .25 .XXX ± .13
angles	0° ± 2°

Material	*	Spec ref	tolerance	projection	MM
Mat code			✓	⊕	
Heat treat					
Plating/Finish					
Dr	MAGGIE WU	02/17/03		size	A4
Eng	JEFF HSIEH	02/17/03		Scale	0.500
Chr	JEFF HSIEH	02/17/03		Product family	
Appr	JENN TSAO	02/17/03		Model Name	
				Model Revision	1
				REL Level	

FCI	title	DDR 11 240P V/T PLASTIC POST, ASS'Y	dwg no	10023061	Rev.	N
Pro/E file	catalog	PDM: Rev:N	CUSTOMER DRAWING	sheet 3 of 4		



1 2 3 4

10023061 - □ □ □ □

STYLE : MECHANICAL KEYING

- 1 : 1.8 VOLT. W/ CENTER KEY#1
- 2 : 2.5 VOLT. W/ LEFT KEY#1
- 3 : X.X VOLT. W/ RIGHT KEY#1

COLOR OF HOUSING

- 0 : BLACK HOUSING
- 1 : BLUE HOUSING

TAIL LENGTH

CODE	DIM "B"
0	2.54
1	2.67
2	3.18

PLATING

CODE	CONTACT	SOLDERTAIL	UNDERPLATE
2	15u" (0.38um) MIN. GOLD	100u" (2.54um) MIN. TIN/LEAD	50u" (1.27um) MIN. NICKEL OVERALL
3	30u" (0.76um) MIN. GOLD		
4	3u" (0.076um) MIN. GOLD		
6LF	10u" (0.25um) MIN. GOLD		
7LF	15u" (0.38um) MIN. GOLD	100u" (2.54um) MIN. 100% TIN	50u" (1.27um) MIN. NICKEL OVERALL
8LF	30u" (0.76um) MIN. GOLD		
9LF	3u" (0.076um) MIN. GOLD		

COLOR OF EJECTOR

- 0 : IVORY EJECTOR
- 2 : BLACK EJECTOR

NOTES:

1. MATERIAL:
HOUSING: HIGH PERFORMANCE RESINS, GLASS FILLED UL94V-0 RATED.
EJECTOR: HIGH PERFORMANCE RESINS, GLASS FILLED UL94V-0 RATED.
TERMINAL: PHOSPHOR BRONZE
2. FCI LOGO TO BE APPROXIMATELY LOCATED AS SHOWN ON PRINT.
3. PRODUCT SPECIFICATION: GS-12-251.
4. PACKAGING SPECIFICATION: GS-14-899.
5. CARD THICKNESS APPLIES ACROSS TABS AND INCLUDES PLATING AND/OR METALIZATION.
6. 3.00mm MINIMUM APPLIES TO BOTH 4.00mm WIDE NOTCH LENGTH AND COMPONENT KEEPOUT AREA.
7. LEADING EDGE OF CONTACT PADS SPECIFIED BY THE KEEP OUT ZONE SHALL BE FREE OF BURRS AND EXTERNAL TIE BARS. FOR OPTIMUM PERFORMANCE, THE TIE BAR IS TO BE ON AN INTERNAL LAYER SO THAT THE REMNANT CANNOT CAUSE CONTACT DAMAGE. THE DATE CODE IS SHOWN "MM-DD-YY".
8. THIS PRODUCT MEETS EUROPEAN UNION DIRECTIVES AND OTHER COUNTRY REGULATIONS AS DESCRIBED IN GS-22-008.
9. THE HOUSING WILL WITH STAND EXPOSURE TO 260°C PEAK TEMPERATURE FOR 10 SECONDS IN A WAVE SOLDER APPLICATION.

tolerance unless otherwise specified	
linear	.X ± .38 .XX ± .25 .XXX ± .13
angles	0° ± 2°

Material	*	Spec ref	tolerance	projection	MM
Mat code			✓	⊕	
Heat treat					
Plating/Finish					
Dr	MAGGIE WU	02/17/03		size	A4
Eng	JEFF HSIEH	02/17/03		Scale	0.500
Chr	JEFF HSIEH	02/17/03		Product family	
Appr	JENN TSAO	02/17/03		Model Name	
				Model Revision	1
				ECN	DG06-0328
				REL Level	

FCI	title	DDR 11 240P V/T PLASTIC POST, ASS'Y	dwg no	10023061	Rev.	N
Prof/E file	catalog	PDM: Rev: N	CUSTOMER DRAWING	sheet 4 of 4		