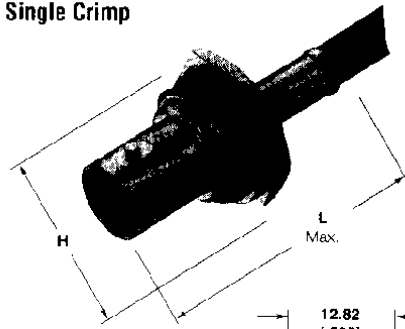


**BNC Connectors, 50 Ohm (Continued)**

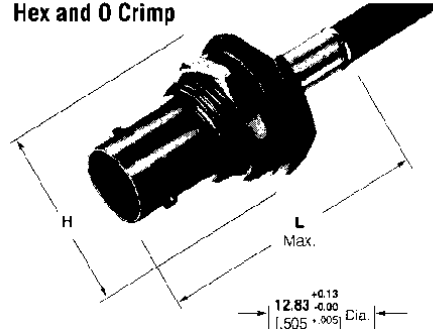
**Bulkhead Jacks, Crimp (Continued)**

Note: Panel Insulating Bushings — Page 54

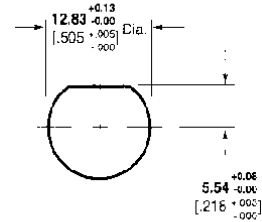
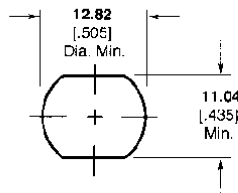
**Single Crimp**



**Hex and O Crimp**



**Recommended Panel Cutouts**  
Maximum Panel Thickness 3.18 [.125]



H = 11/16" across flats, 20.32 [.800] Max. across points

RG/U Cable	Termination Type	Center Contact Plating	Body Plating	Dielectric	Style	Dim. L	CERTI-CRIMP Hand Tool with Integral Die	Interchangeable Dies for PRO-CRIMPER Hand Tool 354940-1 or PRO-CRIMPER Adapter 679304-1	Interchangeable Dies for Hand Tool 69710-1 & 626 Pneu. Head 318161-1	Part No.
58, 58A, 58B, 58C, Belden 88240, Be-K-Tek BTDC-58, Comm/Scope 2135	Hex Crimp	Gold	Nickel	Polyethylene	Commercial	36.83 1.450	—	56436-1	—	413771-1
50, 50A, 58B, 58C	O Crimp	Gold	Nickel	Polypropylene	Commercial	34.93 1.375	220187-1	56435-1	220217-1	228980-5
	O Crimp	Gold	Nickel	TEFLON	Mil Type	41.28 1.625	69478-1	220189-3	69727	225398-1
	Single Crimp	Gold	Silver	TEFLON	Mil Type	32.13 1.265	69140-1	—	69223-1	2-329456-1
223, 55, 55A, 55B	O Crimp	Gold	Nickel	TEFLON	Mil Type	35.71 1.406	69478-1	220189-3	69727	225398-3
142, 142A, 142B, 400	O Crimp	Gold	Nickel	TEFLON	Mil Type	35.71 1.406	—	220189-3	69727	225398-6
124, 140, 210, 62, 62A, 62B, 59, 59A, 59B, Belden 9291, 9209, 9269	Hex Crimp	Gold	Nickel	Polyethylene	Commercial	36.83 1.450	—	56436-1	—	413771-2
	O Crimp	Gold	Nickel	Polypropylene	Commercial	34.93 1.375	220187-2	56435-1	220217-2	228980-6
	O Crimp	Gold	Nickel	TEFLON	Mil Type	41.28 1.625	69477-1	56537-1	69669-1	225398-2

\*Order AMP PRO-CRIMPER Coaxial "O" Crimp Hand Tool assembly 58433-1, which includes dies 58435-1.