

PRODUCT DATA DRAWING

CAD GENERATED DRAWING DCN CONTROLLED DOCUMENT

DWG. NO. SF2950-6200

MATERIAL: **ENG. FILE COPY**

BODY: STAINLESS STEEL PER AMS-5640, UNS S30300, TYPE I.

CONTACT: BERYLLIUM COPPER PER ASTM-B-196, ALLOY C17300, COND. TD04.

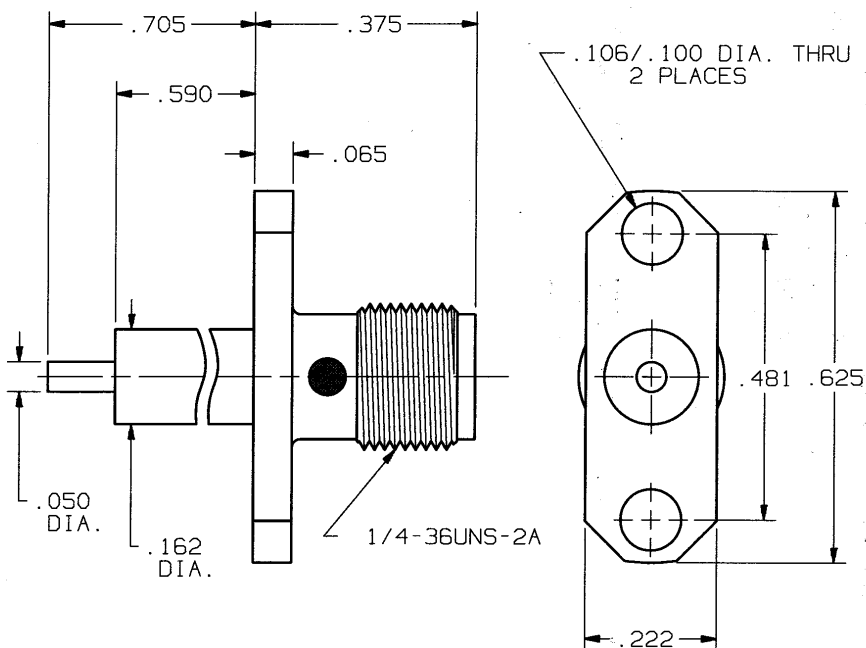
INSULATOR: TEFLON PER ASTM-D-1457.

FINISH:

BODY: PASSIVATED PER QQ-P-35C, TYPE II.

CONTACT: GOLD PER MIL-G-45204, TYPE I, GRADE C, CLASS 1; OVER NICKEL PER QQ-N-290, CLASS 1.

IMPEDANCE: 50 OHMS
 FREQ. RANGE: DC-18.0 GHz
 D.W.V: 1000 VRMS
 INSUL. RES.: 5000 MEGOHMS MIN.



SYM.	DESCRIPTION	DATE	APPR.	UNLESS OTHERWISE SPECIFIED: 1) ALL DIMENSIONS ARE AFTER PLATING. 2) BREAK CORNERS & EDGES .005 R. MAX. 3) CHAM. 1st & LAST THDS. 4) SURFACE ROUGHNESS 63 / MIL-STD-10. 5) DIAS. ON COMMON CENTERS TO BE CONCENTRIC WITHIN .005 T.I.R. 6) REMOVE ALL BURRS.	DIMENSIONS ARE IN INCHES			Soltron Vector Microwave 3301 ELECTRONICS WAY WEST PALM BEACH, FL. 33407
					DECIMALS	FRACTIONAL	ANGULAR	
-	REL. DCN 23369	4/17	[Signature]		.X ±.030		X° ±1°0'	TITLE: SMA JACK PANEL RECEPTACLE
					.XX ±.015	±1/64	X°X' ±15'	
					.XXX ±.005			DWG. NO. SF2950-6200
				DRAWN: BRT, 4/07/97	MATERIAL: SEE ABOVE	FINISH: SEE ABOVE	AREA: N/A	
				CHECKED:	SIZE A	CAGE NO. 95077	SCALE 4X	
				APPROVED: [Signature] 4/24/97				