

ELECTRICAL

Impedance	50 Ohm constant
Frequency range	0-11 GHz, 1500 V typ.
Voltage Rating	1000 volts peakd
Dielectric Withstanding Voltage	3000 volts RMS
VSWR (MIL-C-39012 Cable Connectors)	1.35 max. 0-11 GHz
Other (MIL-C-39012 Cable Connectors)	Contact Resistance Center contact 1.0 milliohm Outer contact .15 milliohm Braid to Body .05 milliohm RF Leakage: — 90 dB minimum at 3 GHz Insertion loss: .15 dB maximum at 9 GHz Insulation resistance: 5000 megohms. (min.)

NOTE: 13 lb. push required to captivate contact into connector body.

ENVIRONMENTAL

Temperature range	TFE -65°C to +165°C -65°C to +165°C
Shock	MIL-Std-202 method 213
Vibration	MIL-Std-202 method 204 (test condition B)
Moisture Resistance	MIL-Std-202 method 106
Corrosion	MIL-Std-202 method 101 (test condition B)
Temperature cycling	MIL-Std-202 method 102 (test condition C)

MECHANICAL

Mating	11/16-24 UNEF screw threads. Plug coupling nut has safety wire holes.
Cable Affixment	Crimp-crimp: hex-crimp jacket, braid, center contact per MIL-C-39012 Category D.
Contact	Captivated
Cable Retention	.155" to .189" dia. cable: 50 lbs. min. .190" to 229" dia. cable: 60 lbs. min. .230" to .249" dia. cable: 75 lbs. min. .250" dia. and larger: 90 lbs. min.

MATERIAL

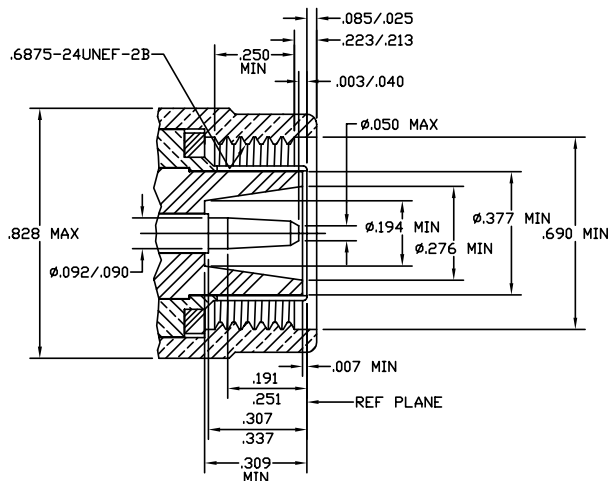
Contacts	Male: brass; female; beryllium copper or phosphor bronze, gold plated
Insulators	TFE
Crimp Ferrule	Copper
Other metal parts	Brass

MILITARY SPECIFICATIONS

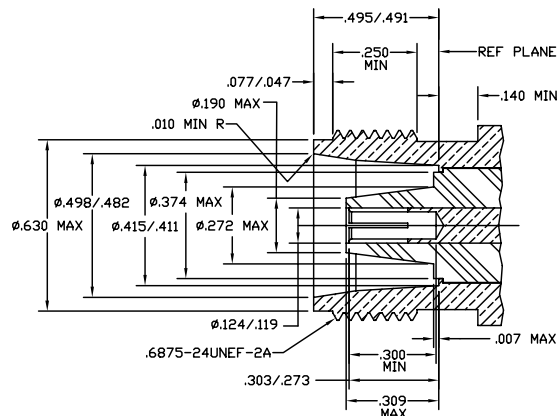
MIL-C-39012	where applicable
-------------	------------------

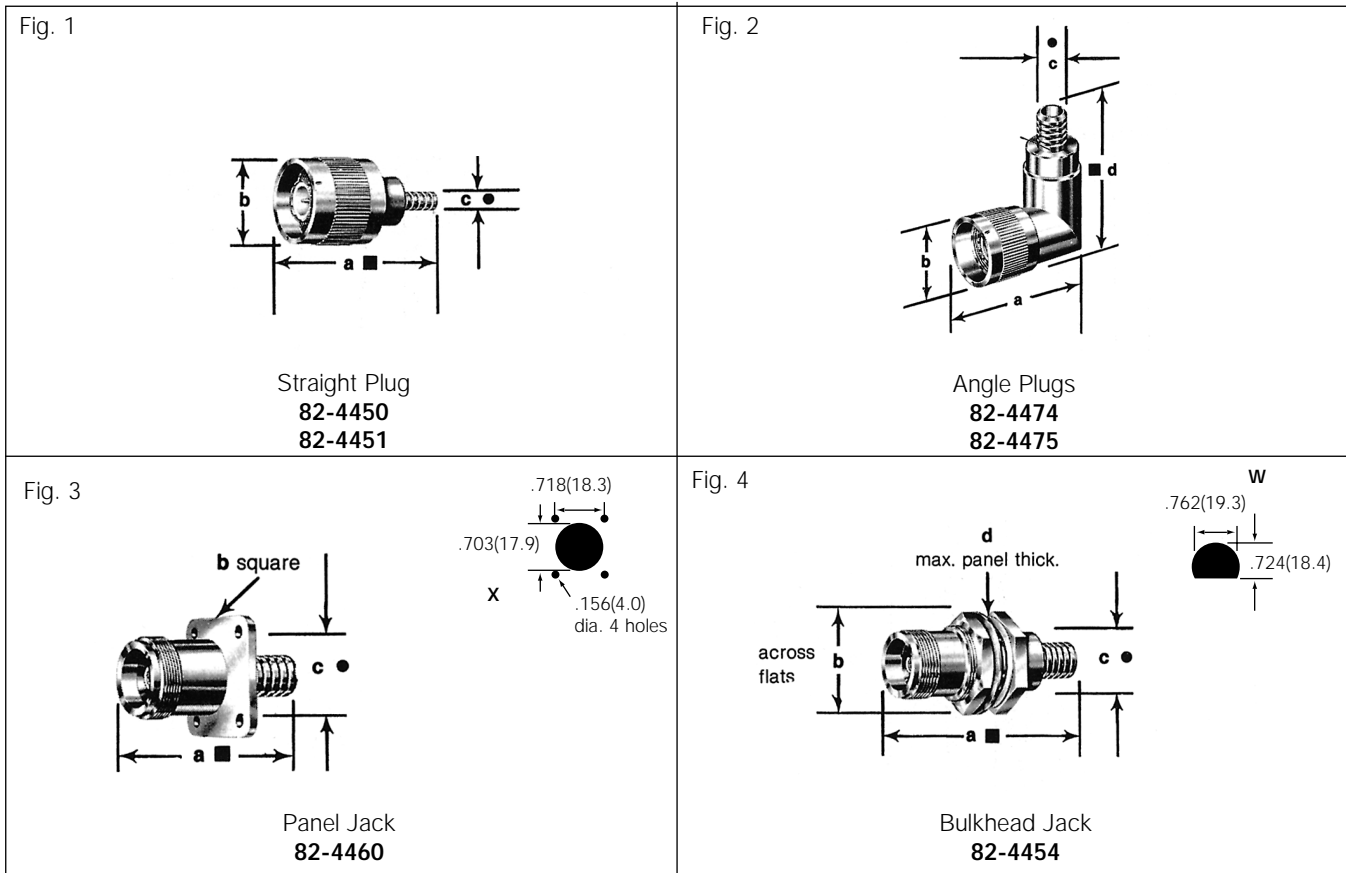
NOTE: These characteristics are typical and may not apply to all connectors.

PLUG



JACK





STRAIGHT PLUGS • Safety Wire Holes

Cable RG-/U	Cable Termination	Dimensions, in. (mm)				MTG Hole	Tool Data Die Set P/N	Construction Notes			Military Number	Amphenol Number	Fig
		a	b	c	d			CAI	Plt.	Ins.			
9, 214, 225, 393	crimp-crimp	1.68 (42.9)	1.83 (21.0)	.444 (11.3)	—	—	227-1221-25	C21	P3	D1	M39012/ 35-0501	82-4450	1
142B, 400	crimp-crimp	1.68 (42.9)	1.83 (21.0)	.195 (5.0)	—	—	227-1221-57	C21	P3	D1	M39012/ 35-0503	82-4451	1

ANGLE PLUGS • Safety Wire Holes

Cable RG-/U	Cable Termination	Dimensions, in. (mm)				MTG Hole	Tool Data Die Set P/N	Construction Notes			Military Number	Amphenol Number	Fig
		a	b	c	d			CAI	Plt.	Ins.			
9, 214, 225, 393	crimp-crimp	1.50 (38.1)	1.83 (21.0)	.444 (11.3)	2.12 (53.9)	—	227-1221-25	C21	P3	D1	M39012/ 39-0501	82-4474	2
142B, 400	crimp-crimp	1.50 (38.1)	1.83 (21.0)	.195 (5.0)	2.12 (53.9)	—	227-1221-57	C21	P3	D1	M39012/ 39-0503	82-4475	2

PANEL JACKS • #6-32 Flange Holes - Rear Mount

Cable RG-/U	Cable Termination	Dimensions, in. (mm)				MTG Hole	Tool Data Die Set P/N	Construction Notes			Military Number	Amphenol Number	Fig
		a	b	c	d			CAI	Plt.	Ins.			
9, 214, 225, 393	crimp-crimp	1.56 (39.7)	1.00 (25.4) sq.	.444 (11.3)	—	X	227-1221-25	C21	P3	D1	M39012/ 38-0501	82-4460	3

BULKHEAD JACKS • Rear Mount

Cable RG-/U	Cable Termination	Dimensions, in. (mm)				MTG Hole	Tool Data Die Set P/N	Construction Notes			Military Number	Amphenol Number	Fig
		a	b	c	d			CAI	Plt.	Ins.			
214, 225, 393	MIL-crimp	1.97 (50.0)	1.00 (25.4) hex.	.438 (11.1)	—	W	227-1221-25	C21	P3	D1	M39012/ 40-0501	82-4454	4