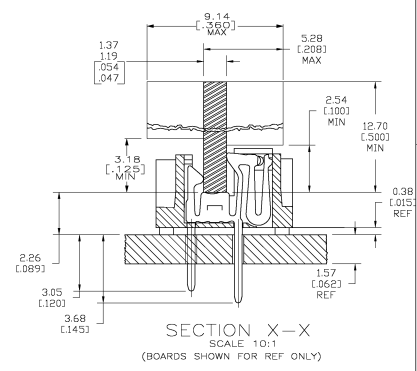


- △ HOUSING—MATERIAL : LIQUID—CRYSTAL—POLYMER, COLOR: NATURAL.
- △ CONTACT—MATERIAL : PHOS. BRONZE.
- △ LATCH—MATERIAL : BRASS, NICKEL PLATE
- △ CONTACT—PLATE: 0.0050B[.000200] MIN MATTE TIN OVER 0.00127 [.000050] MIN NICKEL.
- 5. IN ADDITION TO THOSE RECOMMENDED "SIMM" P.C. BOARD DIMENSIONS AND TOLERANCES SHOWN, ALL JEDEC SPECIFICATIONS APPLY AS SHOWN ON MO-116, ISSUE A.
- 6. RECOMMENDED MATING S.I.M.M. TAB METALLURGY: BASE METAL—COPPER, PLATING TO BE 0.00762[.000300] MIN TIN/LEAD OVER 0.00127[.000050] MIN NICKEL.



118.11[4.650]	111.35[4.384]	60.96[2.400]	49.53[1.950]	125.73[4.950]	105.41[4.150]	80	5822021-5
F	E	D	C	B	A	NO. OF PINS	PART NO
107.95[4.250]	101.19[3.984]	55.88[2.200]	44.45[1.750]	115.57[4.550]	95.25[3.750]	72	5822021-4

THIS DRAWING IS A CONTROLLED DOCUMENT.

DATE: 05/12/04

BY: SJMS

CHK: SW MY

REV: 00

EC 0512-0501-04

5822021

CONNECTOR, MICRO-EDGE, .050, VERT. TIN PL. W/METAL LATCH

00779

5822021

CUSTOMER DRAWING