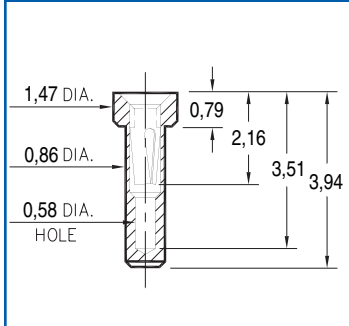
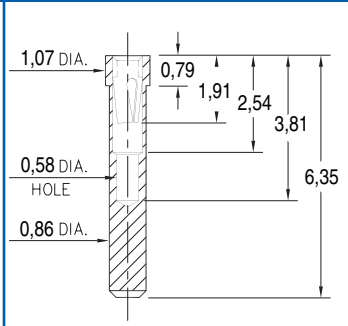


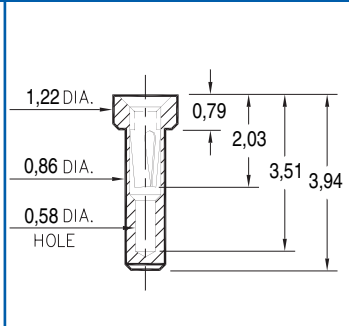
**0548                      8975                      3016                      9548**



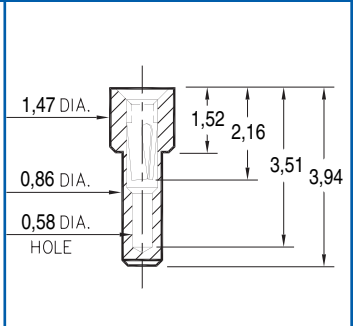
**0548-0-15-XX-21-XX-10-0**  
Solder mount in 0,91 min. mounting hole



**8975-0-15-XX-21-XX-10-0**  
Solder mount in 0,91 min. mounting hole

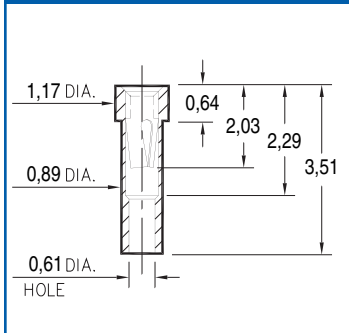


**3016-0-15-XX-21-XX-10-0**  
Solder mount in 0,91 min. mounting hole

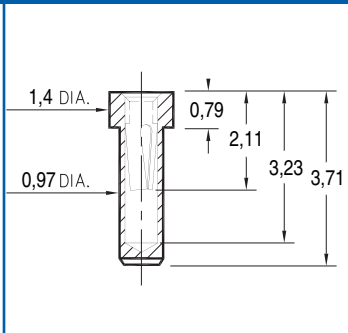


**9548-0-15-XX-21-XX-10-0**  
Solder mount in 0,91 min. mounting hole

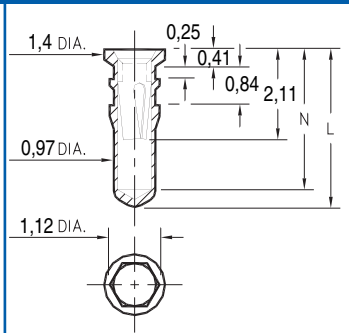
**8637                      1407                      0553/8553**



**8637-0-15-XX-21-XX-10-0**  
Solder mount in 0,94 min. mounting hole



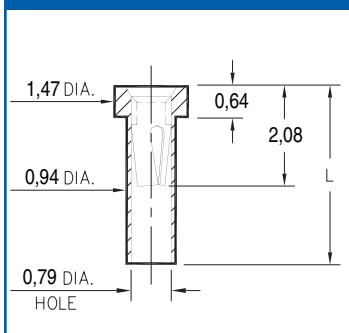
**1407-0-15-XX-11-XX-10-0**  
Solder mount in 1,02 min. mounting hole



**X553-X-15-XX-X1-XX-10-0**  
Hex press-fit in 1,04 plated thru hole

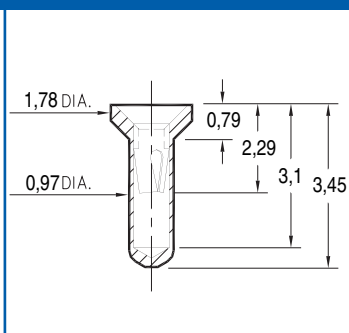
Basic Part Number	Length L	Depth N
0553-1	3,56	3,15
0553-2	4,32	3,91
0553-3	7,16	6,76
8553-0	6,22	5,82

**0566                      0442                      0554**

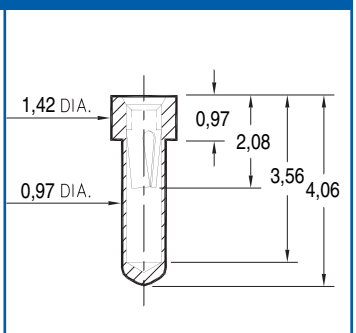


**0566-X-15-XX-21-XX-10-0**  
Solder mount in 1,0 min. mounting hole

Basic Part Number	Length L
0566-1	2,11
0566-2	3,51



**0442-0-15-XX-11-XX-10-0**  
Solder mount in 1,02 min. mounting hole



**0554-0-15-XX-21-XX-10-0**  
Solder mount in 1,02 min. mounting hole

**SPECIFICATIONS**

**SHELL MATERIAL:**  
Brass Alloy 360, 1/2 Hard

**CONTACT MATERIAL:**  
Beryllium Copper Alloy 172, HT

**PART MANUFACTURED IN INCHES, METRIC FOR REF ONLY**

**TOLERANCES ON:**  
LENGTHS: ± 0,13  
DIAMETERS: ± 0,05  
ANGLES: ± 2°

**ORDER CODE: XXXX - X - 15 - XX - XX - XX - 10 - 0**

**BASIC PART #** →

**SPECIFY SHELL FINISH:**

- 01 5,08µm TIN/LEAD OVER NICKEL
- 80 5,08µm TIN OVER NICKEL ◊
- 15 0,25µm GOLD OVER NICKEL ◊

**SPECIFY CONTACT FINISH:**

- 02 2,54µm TIN/LEAD OVER NICKEL
- 84 2,54µm TIN OVER NICKEL ◊
- 27 0,76µm GOLD OVER NICKEL ◊

**SELECT CONTACT**

#11 or #21 CONTACT (DATA ON PAGE 206)

Downloaded from Elcodis.com electronic components distributor