



ICA-320-SGT



ICA-624-ZEGG

(2,54mm) .100"

ICA SERIES

# AUTOMATED INSERTION DIP SOCKETS

Mates with:  
APA

ICA

ROW SPACING &  
NO. OF CONTACTS

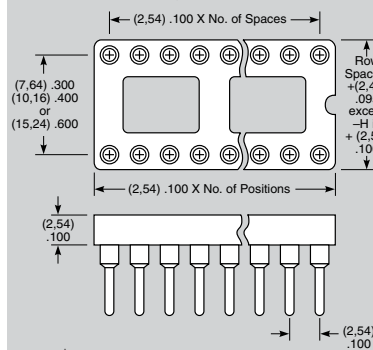
STYLE  
OPTION

PLATING  
OPTION

OPTION  
(Leave Blank for  
Standard Version)

Specify from chart below

- Side & end stackable
- Great for auto insertion
- Open body design



	Row Space	No. of Contacts
-308	.300 (7,62)	08
-314		14
-316		16
-318		18
-320		20
-322*		22
-324	.400 (10,16)	24
-328		28
-422	.600 (15,24)	22
-624		24
-628	.600 (15,24)	28
-632		32
-640		40
-648		48

\*-322 has no cross bar on one end.

**GG**  
= 30μ" (0,76μm)  
Gold contact,  
10μ" (0,25μm)  
Gold Shell

**GT**  
= 30μ" (0,76μm)  
Gold contact,  
Tin Shell

**ST**  
= 10μ" (0,25μm)  
Gold contact,  
Tin shell (Styles -S  
& -ZS only)

**-2**  
= .360 (9,14)  
Tail  
**Wire-Wrap  
Option**  
Requires Style  
-W or -ZW  
Specify desired  
suffix for shorter  
Wire-Wrap tail.

**-3**  
= .260 (6,60)  
Tail  
**-L**  
= Locking  
Socket  
Requires Style  
-S or -ZS  
Requires GT  
Plating Option

## SPECIFICATIONS

For complete specifications  
see [www.samtec.com?ICA](http://www.samtec.com?ICA)

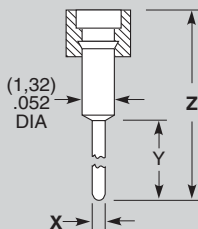
- Insulator Material:** Black Glass Filled Polyester except -328 is LCP
- Contact:** BeCu
- Shell:** Brass
- Plating:** Au or Sn over 50μ" Ni
- Flammability Rating:** UL 94V-O
- Insulation Resistance:** 5000 MΩ min
- Temperature Range:** -55°C to +105°C with Tin, -55°C to +125°C with Gold.
- Withstanding Voltage:** 1000 VRMS
- Current Rating:** 1A
- Contact Resistance:** 10mΩ max
- Lead Size Range:** .015" (0,38mm) to .022" (0,56mm) DIA and most IC leads
- Insertion Force:** (Single contact only) Standard = 9 oz avg, 16 oz max; Low Insertion Force = 2.5 oz avg, 5.5 oz max
- Withdrawal Force:** (Single contact only) Standard = 2.5 oz avg, 1.5 oz min; Low Insertion Force = 2.0 oz avg, 0.35 oz min
- Lead-Free Solderable:** Wave only
- RoHS Compliant:** Yes



**Note:** Some sizes, styles and options are non-standard, non-returnable.

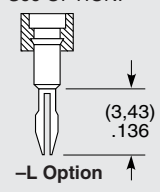
**-S, -ZS, -ZA**

= Printed Circuit  
-ZS & -ZA = Low Insertion Force



LEAD STYLE	X DIA	Y TAIL	Z
-S or -ZS	(0,51) .020	(3,18) .125	(7,62) .300
-ZA	(0,51) .020	(4,57) .180	(8,89) .350

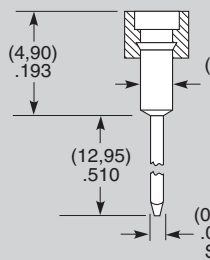
Locking lead available with -S and -ZS. See OPTION.



Insertion Depth = .095" (2,41) to .145" (3,68):  
Style S Component Part No. = SC-1P1  
Style ZS Component Part No. = EZ-1P1  
Style ZA Component Part No. = EZ-6P1  
Option L Component Part No. = SC-1L1 or EZ-1L1

**-W, -ZW**

= Wire-Wrap  
ZW = Low Insertion Force

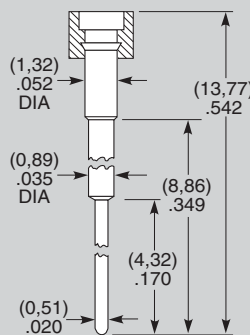


Shorter wire-wrap tail lengths available. See OPTION.

Insertion Depth = .125" (3,18) to .157" (3,99)  
Style W Component Part No. = SC-1W1(1)  
Style ZW Component Part No. = EZ-1W1(1)  
Style W-2 Component Part No. = SC-1W1(2)  
Style ZW-2 Component Part No. = EZ-1W1(2)  
Style W-3 Component Part No. = SC-1W1(3)  
Style ZW-3 Component Part No. = EZ-1W1(3)

**-ZE**

= Elevated  
Low Insertion Force



Insertion Depth = .125" (3,18) to .170" (4,32)  
Style ZE Component Part No. = EZ-2P3

Due to technical progress, all designs, specifications and components are subject to change without notice.

[WWW.SAMTEC.COM](http://WWW.SAMTEC.COM)

SAMTEC USA • Tel: 1-800-SAMTEC-9 or 812-944-6733 SAMTEC SILICON VALLEY • Tel: 408-395-5900 SAMTEC SOUTHERN CALIFORNIA • Tel: 1-800-726-8329  
SAMTEC AMERICA LATINA COMERCIO EXTERIOR LTDA • Tel: (+55 31) 3786 3227 SAMTEC UNITED KINGDOM • Tel: 44 01236 739292 SAMTEC GERMANY • Tel: +49 (0) 89 / 89460-0  
SAMTEC FRANCE • Tel: 33 01 60 95 06 60 SAMTEC ITALY • Tel: 39 039 8890337 SAMTEC NORDIC/BALTIC • Tel: +46-84477280 SAMTEC BENELUX • Tel: 44 01236 739292 SAMTEC ISRAEL • Tel: 972-3-7526600  
SAMTEC INDIA • Tel: +91-80-3272 1612 SAMTEC ASIA PACIFIC • Tel: 65 6745-5955 SAMTEC JAPAN • Tel: 045-475-1385 SAMTEC CHINA • Tel: 86-21-61103766 SAMTEC TAIWAN • Tel: 886-2-2735-6109  
Downloaded from [Elcodis.com](http://Elcodis.com) SAMTEC HONG KONGS • Tel: 852-2600-9858 SAMTEC KOREA • Tel: 82-31-717-5685 SAMTEC ANZ • Tel: 613 9512 7747 SAMTEC SOUTH AFRICA • Tel: 27 11 452 8112