

.100" (2.54 mm) DIP Sockets

ZIP DIP



- For DIPs with .100" (2.54 mm) lead spacing
- Pin counts for 14-64 leads
- Lever actuated zero insertion force mechanism
- Socket easily disassembles for repairability
- Socket contact point of .110" (2.79 mm) below top surface of socket

Date Issued: August 18, 2000

TS-0365-11
Sheet 1 of 3

12

Physical

Insulation

Material: Glass Filled Polysulfone
Flammability: UL 94V-0
Color: Green

Marking: 3M Logo & Part Number Identifier

Contact

Material: Beryllium Copper
Plating: 30 μ " (0.76 μ m) Gold – MIL-G-45204, Type II, Grade C, over 50 μ " (1.3 μ m)
Nickel – QQ-N-290A, Class 2

Electrical

Current Rating: 1 Amp
Insulation Resistance: $> 1 \times 10^9 \Omega$ at 500 Vdc
Withstanding Voltage: 1000 Vrms at Sea Level

Environmental

Operating Temperature Rating: - 55 °C to +150°C

Mechanical

When used as a test socket at room temperature 24°C the socket will last **20,000 actuations**.

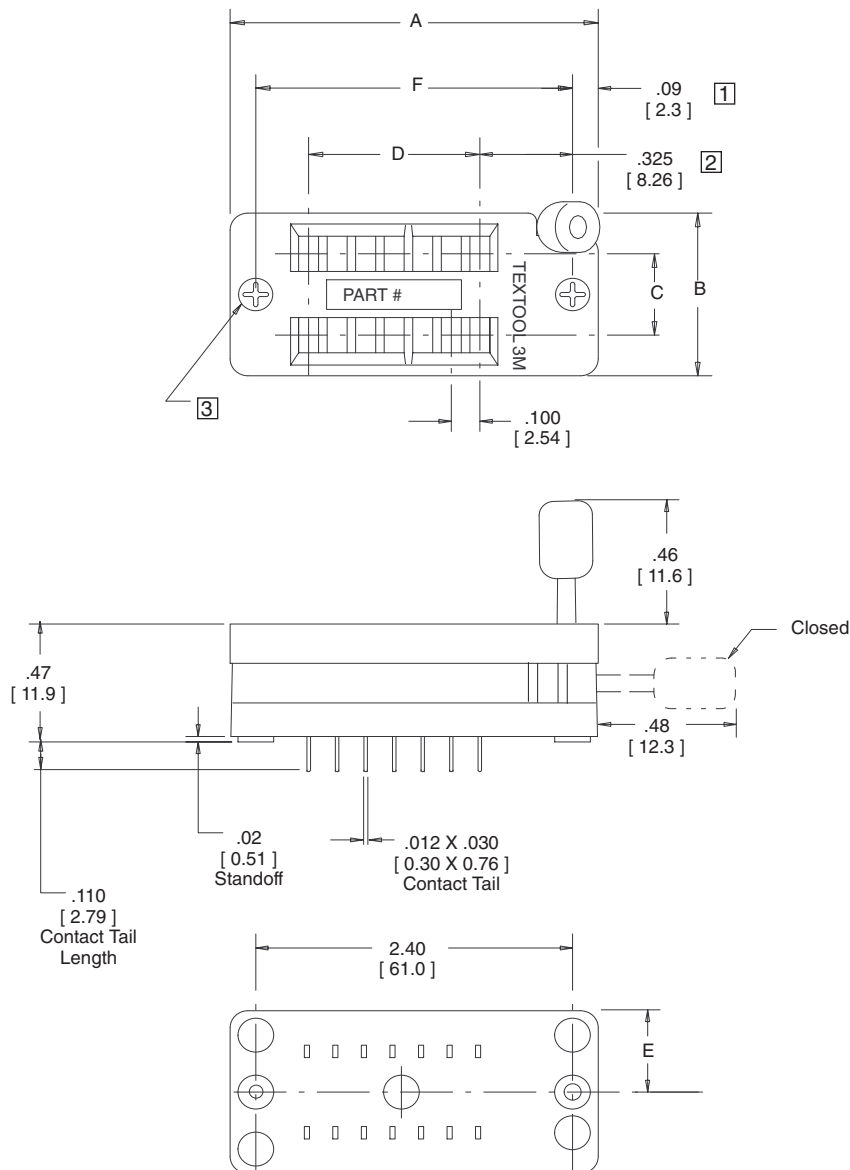
3M Electronic Handling and Protection Division

6801 River Place Blvd.
Austin, TX 78726-9000

For technical, sales or ordering information call **800-328-0411**
or visit our website: <http://www.3M.com/ehpd>

.100" (2.54 mm) DIP Sockets

ZIP DIP



Notes:

- 1 This dimension is .105 [2.67] for the 48 and 64 lead sockets.
- 2 This dimension is .40 [10.2] for the 48 and 64 lead sockets.
- 3 224-1275-00-0602J, 228-1277-00-0602J, 232-1285-00-0602J, 240-1280-00-0602J, 242-1281-00-0602J, and 248-1182-00-0602J have thru holes and no screws.

	Tolerance inch (mm)	
Dimension	$\frac{.00}{(.0)}$	$\frac{.000}{(.00)}$
Tolerance	$\pm \frac{.010}{(\pm .25)}$	$\pm \frac{.005}{(\pm .13)}$

Ordering Information

See tables next sheet.

TS-0365-11
Sheet 2 of 3

3M Electronic Handling and Protection Division

6801 River Place Blvd.
Austin, TX 78726-9000

For technical, sales or ordering information call **800-328-0411**
or visit our website: <http://www.3M.com/ehpd>


.100" (2.54 mm) DIP Sockets

ZIP DIP

Contact Quantity	Device Row Spacing Accepted	Dim A	Dim B	Dim C	Dim D	Dim E	Dim F
14	.17 - .43 [4.3] - [10.9]	1.30 [33.0]	.60 [15.2]	.300 [7.62]	.60 [15.2]	.30 [7.6]	1.11 [28.2]
16	.17 - .43 [4.3] - [10.9]	1.39 [35.3]					1.21 [30.7]
18	.17 - .43 [4.3] - [10.9]	1.49 [37.8]					1.31 [33.3]
20	.17 - .43 [4.3] - [10.9]	1.59 [40.4]					1.41 [35.8]
22	.27 - .53 [6.9] - [13.5]	1.69 [42.9]	.70 [17.8]	.400 [10.16]	1.00 [25.4]	.35 [8.9]	1.51 [38.4]
24	.47 - .73 [11.9] - [18.5]	1.78 [45.3]	.90 [22.9]	.600 [15.25]	1.10 [27.9]	.45 [11.4]	1.61 [40.9]
	.17 - .43 [4.3] - [10.9]	1.79 [45.5]	.60 [15.2]	.300 [7.62]		.30 [7.6]	
28	.47 - .73 [11.9] - [18.5]	1.98 [50.4]	.90 [22.9]	.600 [15.25]	1.30 [33.0]	.45 [11.4]	1.81 [46.0]
	.27 - .53 [6.9] - [13.5]	1.99 [50.5]	.70 [17.8]	.400 [10.16]		.35 [8.9]	1.83 [46.0]
32	.47 - .73 [11.9] - [18.5]	2.19 [55.5]	.90 [22.9]	.600 [15.25]	1.50 [38.1]	.45 [11.4]	2.01 [51.1]
40	.47 - .73 [11.9] - [18.5]	2.58 [65.6]					2.41 [61.2]
		.87 - 1.13 [22.1] - [28.7]	2.58 [65.5]	1.30 [33.0]	1.000 [25.40]	1.90 [48.3]	.65 [16.5]
42	.47 - .73 [11.9] - [18.5]	2.68 [68.2]	.90 [22.9]	.600 [15.25]	2.0 [50.8]	.45 [11.4]	2.51 [63.8]
48	.47 - .73 [11.9] - [18.5]	2.98 [75.8]					2.30 [58.4]
64	.77 - 1.03 [19.8] - [26.2]	3.95 [100.3]	1.30 [33.0]	.900 [22.86]	3.10 [78.7]	65 [16.5]	3.73 [94.7]

Ordering Information

Socket Part Number	Contact Quantity	Distance Between Rows	Mating Receptacle Part Number
214-3339-00-0602J	14	.300 [7.62]	214-3339-XX-0602J
216-3340-00-0602J	16		216-3340-XX-0602J
218-3341-00-0602J	18		218-3341-XX-0602J
220-3342-00-0602J	20		220-3342-XX-0602J
222-3343-00-0602J	22	.400 [10.16]	222-3334-XX-0602J
224-1275-00-0602J	24	.600 [15.24]	*224-1275-XX-0602J
224-5248-00-0602J		.300 [7.62]	224-5248-XX-0602J
228-1277-00-0602J	28	.600 [15.24]	*228-1277-XX-0602J
228-4817-00-0602J		.400 [10.16]	228-4817-XX-0602J
232-1285-00-0602J	32	.600 [15.24]	*232-1285-XX-0602J
240-1280-00-0602J	40		240-1280-XX-0602J
240-3639-00-0602J			1.00 [25.4]
242-1281-00-0602J	42	.600 [15.24]	*242-1281-XX-0602J
248-1282-00-0602J	48		*248-1282-XX-0602J
264-4493-00-0602J	64	9.00 [22.86]	264-4993-XX-0602J

Contact Tail Length: 
 XX = 09 Solder Tail .13 [3.3] w/ flanges
 = 19 Wire Wrap Tail .62 [15.8] w/ flanges
 = 29 Solder Tail .13 [3.3] w/out flanges
 = 39 Wire Wrap Tail .62 [15.8] w/out flanges

*Only these P/N's available with -09, -19, -29, and -39 receptacle options.
 All others only available with -09, and -19 options.

TS-0365-11
 Sheet 3 of 3

3M Electronic Handling and Protection Division

6801 River Place Blvd.
 Austin, TX 78726-9000

For technical, sales or ordering information call **800-328-0411**
 or visit our website: <http://www.3M.com/ehpd>