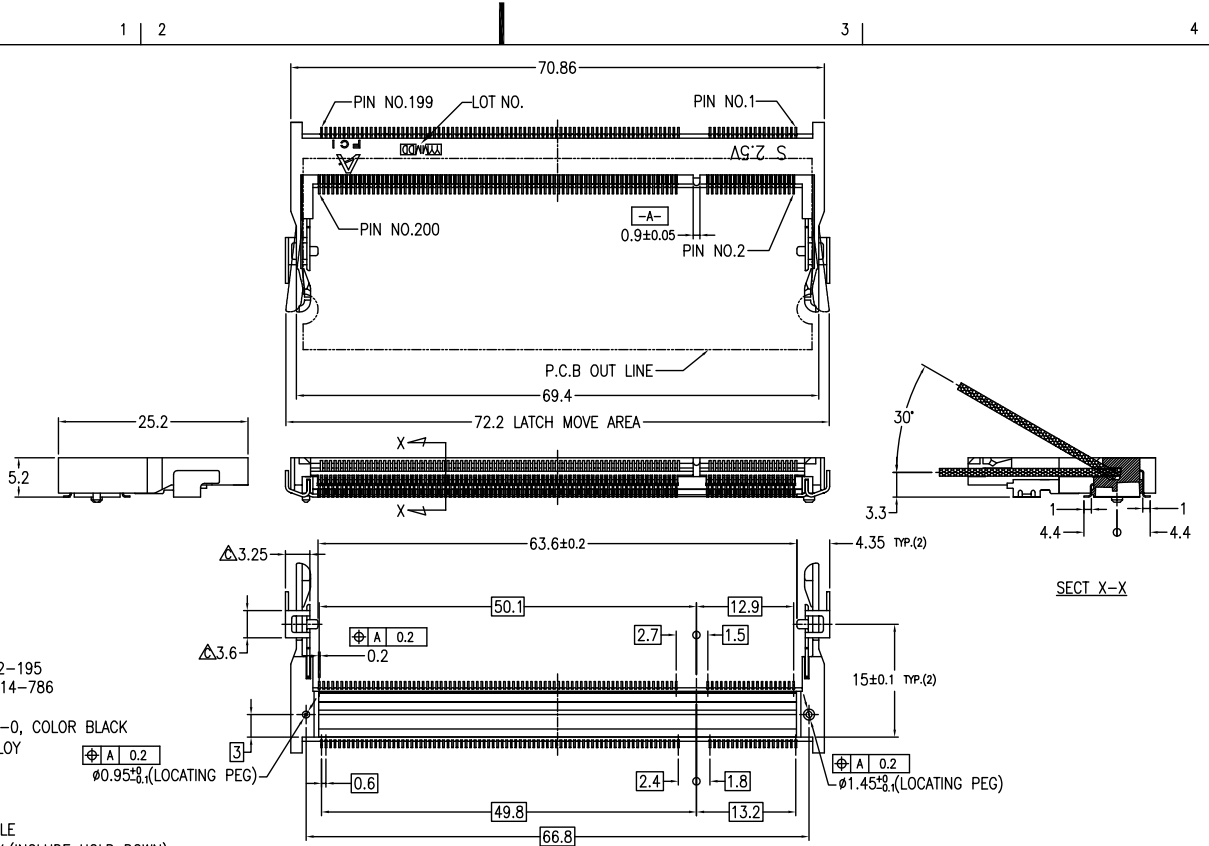


Tous droits strictement réservés. Reproduction ou communication e des Mars  
 Interdite sous quelque forme que ce soit sans autorisation écrite du propriétaire.  
 Property of FCI. Droits de reproduction FCI.

All rights strictly reserved. Reproduction or issue to third parties in any  
 form whatsoever is not permitted without written authority from the proprietor.  
 Property of FCI. Copyright FCI.



PRODUCT NO.  
SEE SHEET 4



- NOTE
1. PRODUCT SPEC. : GS-12-195
  2. PACKAGING SPEC. : GS-14-786
  3. MATERIAL
    - 1) HOUSING : LCP, UL94V-0, COLOR BLACK
    - 2) CONTACT : COPPER ALLOY
    - 3) HOLD DOWN : BRASS
    4. FINISH
      - 1) TERMINAL : SEE TABLE
      - 2) HOLD DOWN : SEE TABLE
  5. CO-PLANARITY : 0.1 MAX.(INCLUDE HOLD DOWN)
  6. THIS PRODUCT MEETS EUROPEAN UNION DIRECTIVES AND OTHER COUNTRY REGULATIONS AS DESCRIBED IN GS-22-008.
  7. THE HOUSING WILL WITHSTAND EXPOSURE TO 260° PEAK TEMPERATURE FOR 10 SECONDS IN A REFLOW SOLDER APPLICATION.

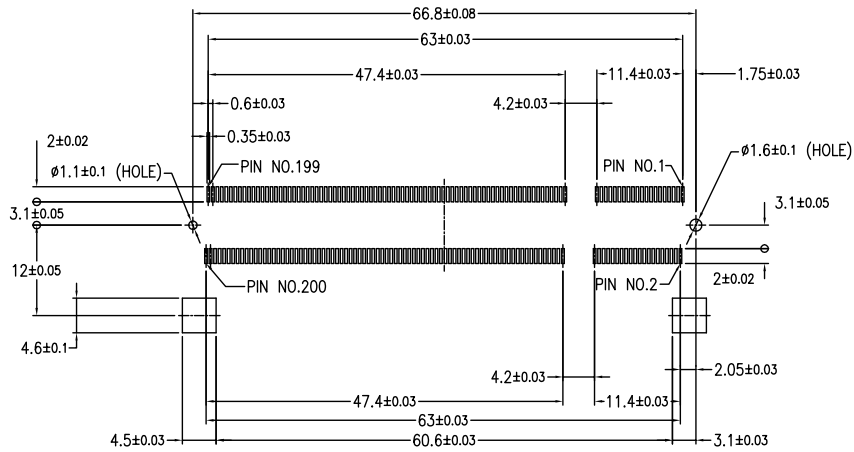
mat'l. code		tolerances unless otherwise specified		CUSTOMER COPY		FCI	
ltr	ecn no	dr	date	linear	.X ± 0.30	projection	title
G	04-0132	M.H	04/06/04'		.XX ± 0.30	MM	DDR SO-DIMM 0.6 mm PITCH 200 POS. STANDARD TYPE ASS'Y
H	05-0022	R.C	01/27/05'	angles	0° ± 2'	scale	product family 50UF SO-DIMM
J	05-0026	R.C	02/04/05'			2:1	code JP
K	05-0388	K.W	10/13/05'	dr	M.Hosegawa 4/6/04		size dwg no
L	0608-0333	B.L	12/01/08'	engr	M.Hosegawa 4/6/04		B 59354
				chr			sheet 1 of 4
				appd			
sheet index	revision sheet	L 1	L 2	L 3	L 4		

Tous droits strictement réservés. Reproduction ou communication e des Mars  
Interdit sous quelque forme que ce soit sans autorisation écrite du propriétaire.  
Property of FCI. Droits de reproduction FCI.



All rights strictly reserved. Reproduction or issue to third parties in any  
form whatsoever is not permitted without written authority from the proprietor.  
Property of FCI. Copyright FCI.

PRODUCT NO.  
59354-x52xx



RECOMMENDED MOUNTING P.C.B LAYOUT

mat'l. code		tolerances unless otherwise specified		CUSTOMER COPY		FCI www.fciconnect.com	
ltr	ecn no	dr	date	linear	.X ± 0.30	projection	title
L				angles	.XX ± 0.30	MM	DDR SO-DIMM 0.6 mm PITCH 200 POS. STANDARD TYPE ASS'Y
				dr	M.Hosegawa 11/10/03	scale	product family 50UF SO-DIMM
				enr	M.Hosegawa 11/10/03	2:1	size dwg no B 59354
				chr			code JP
				appd			sheet 2 of
sheet index	revision sheet						

ACAT

PDM: Rev:L

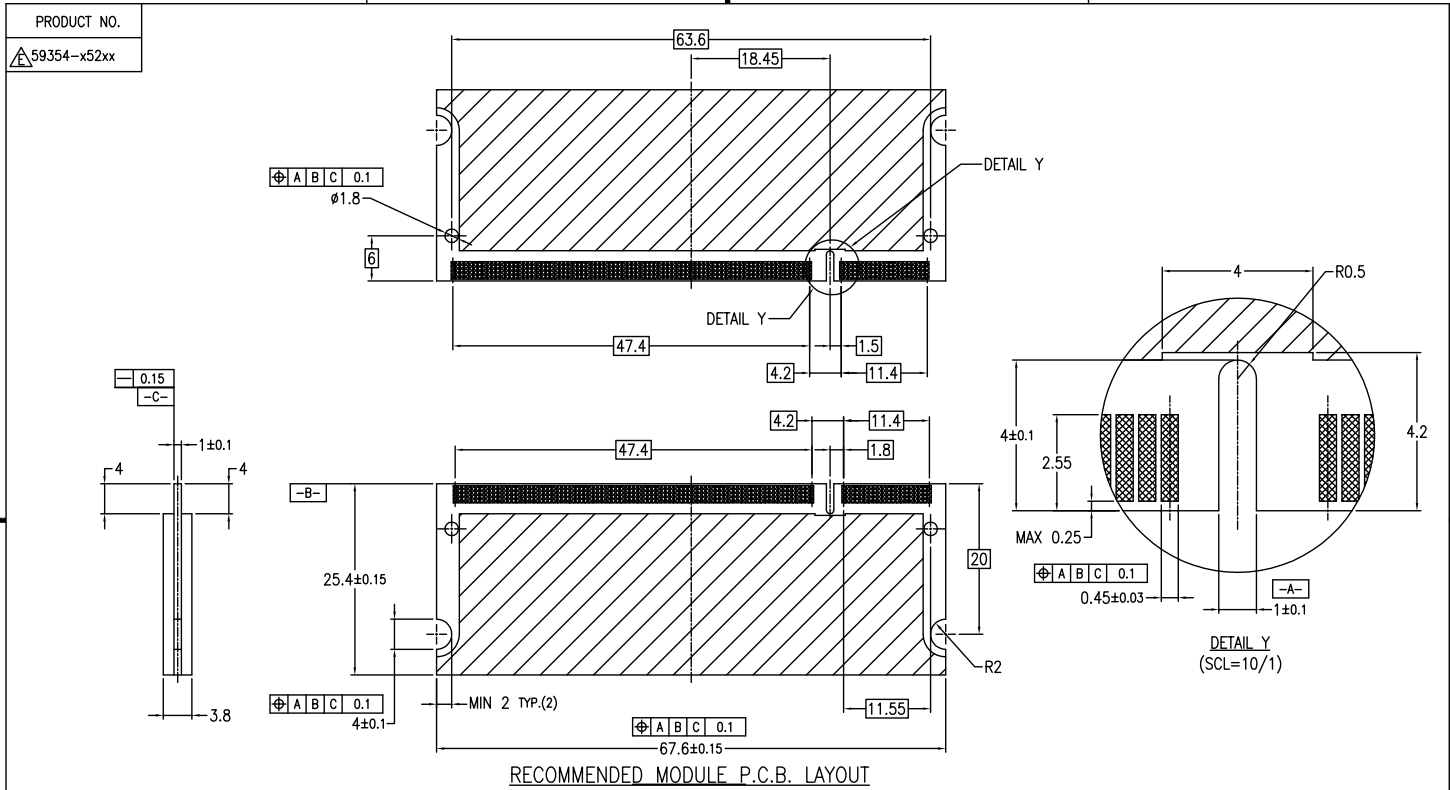
STATUS Released

Printed: Jul 28, 2010

Tous droits strictement réservés. Reproduction ou communication e des Mars  
Interdite sous quelque forme que ce soit sans autorisation écrite du propriétaire.  
Property of FCI. Droits de reproduction FCI.



All rights strictly reserved. Reproduction or issue to third parties in any  
form whatsoever is not permitted without written authority from the proprietor.  
Property of FCI. Copyright FCI.



RECOMMENDED MODULE P.C.B. LAYOUT

mat'l. code		tolerances unless otherwise specified		CUSTOMER COPY		<b>FCI</b> www.fciconnect.com	
ltr	ecn no	dr	date	linear	.X ± 0.30	projection	title DDR SO-DIMM 0.6 mm PITCH 200 POS. STANDARD TYPE ASS'Y
L				angles	.XX ± 0.30		
				dr	0° ± 2°	MM	product family 50UF SO-DIMM
				engr	M.Hosegawa 11/10/03	scale 2:1	code JP
				chr			size dwg no B 59354
				appd			sheet 3 of 3
sheet index	revision sheet						

ACAT

PDM: Rev:L

STATUS Released

Printed: Jul 28, 2010

Tous droits strictement réservés. Reproduction ou communication e des Mars Interdite sous quelque forme que ce soit sans autorisation écrite du propriétaire. Property of FCI. Droits de reproduction FCI.



All rights strictly reserved. Reproduction or issue to third parties in any form whatsoever is not permitted without written authority from the proprietor. Property of FCI. Copyright FCI.

1 | 2

3

4

PRODUCT NO.	LOCATING PEG	TERMINAL CONTACT AREA FINISH	HOLD DOWN FINISH	SOLDER TAIL FINISH
59354-052FS	YES	Au FLASH	Pure Sn PLATING	Au FLASH PLATING
59354-152FS	NO			
59354-052TS	YES	Au 0.3µm MIN.		
59354-152TS	NO		Sn-Cu PLATING	Pure Sn PLATING
59354-052AS	YES	Au 0.76µm MIN.		
59354-152AS	NO			
59354-052FC	YES	Au FLASH	Sn-Cu PLATING	Au FLASH PLATING
59354-152FC	NO			
59354-052TC	YES	Au 0.3µm MIN.		
59354-152TC	NO		Sn-Cu PLATING	Pure Sn PLATING
59354-052AC	YES	Au 0.76µm MIN.		
59354-152AC	NO			
59354-252FS	YES	Au FLASH	Pure Sn PLATING	Au FLASH PLATING
59354-352FS	NO			
59354-252TS	YES	Au 0.3µm MIN.		
59354-352TS	NO		Sn-Cu PLATING	Pure Sn PLATING
59354-252AS	YES	Au 0.76µm MIN.		
59354-352AS	NO			
59354-252FC	YES	Au FLASH	Sn-Cu PLATING	Au FLASH PLATING
59354-352FC	NO			
59354-252TC	YES	Au 0.3µm MIN.		
59354-352TC	NO		Sn-Cu PLATING	Pure Sn PLATING
59354-252AC	YES	Au 0.76µm MIN.		
59354-352AC	NO			

PRODUCT NO.	LOCATING PEG	TERMINAL CONTACT AREA FINISH	HOLD DOWN FINISH	SOLDER TAIL FINISH
59354-452FS	YES	Au FLASH	Pure Sn PLATING	Au FLASH PLATING
59354-552FS	NO			
59354-452TS	YES	Au 0.3µm MIN.		
59354-552TS	NO		Sn-Pb PLATING	Au FLASH PLATING
59354-452AS	YES	Au 0.76µm MIN.		
59354-552AS	NO			
59354-452FC	YES	Au FLASH	Sn-Cu PLATING	Au FLASH PLATING
59354-552FC	NO			
59354-452TC	YES	Au 0.3µm MIN.		
59354-552TC	NO		Sn-Cu PLATING	Pure Sn PLATING
59354-452AC	YES	Au 0.76µm MIN.		
59354-552AC	NO			

△ 59354-□□□□ LF

<PACKING METHOD>  
R : TAPE REEL  
DEFAULT : TRAY  
<HOLD DOWN FINISH>  
S : Pure Sn  
B : Sn-Pb  
<CONTACT AREA FINISH>  
F : Au FLASH  
T : Au 0.3µm MIN.  
A : Au 0.76µm MIN.  
<TOTAL HEIGHT>  
52 : 5.2mm  
<LOCATING PEG, SOLDER TAIL FINISH>  
0 : YES, Au FLASH  
1 : NO, Au FLASH  
2 : YES, Pure Sn PLATING  
3 : NO, Pure Sn PLATING  
4 : YES, Sn-Pb PLATING  
5 : NO, Sn-Pb PLATING

For Rohs OPTIONS:  
TAIL PLATING CODE MUST BE 0~3.  
HOLD DOWN PLATING CODE MUST BE "S".  
"LF" CODE IS EXIST IN THE END.  
EX: 59354-252SLF  
  
FOR NOT Rohs COMPATIBLE:  
THIS "LF" CODE IS "BLANK".  
EX: 59354-452TS

mat'l. code				tolerances unless otherwise specified		CUSTOMER COPY		FCI	
ltr	ecn no	dr	date	linear	.X ± 0.30	projection	title	www.fciconnect.com	
L					.XX ± 0.30		DDR SO-DIMM 0.6 mm PITCH 200 POS. STANDARD TYPE ASS'Y		
				angles	0° ± 2°	MM	product family	50UF SO-DIMM	code
				dr	M.Hosegawa 4/6/04	scale	size	59354	JP
				enrg	M.Hosegawa 4/6/04	2:1	dwg no		sheet
				chr			B		4 of
				appd					
sheet index	revision sheet								

1 | 2

3

4

ACAT

PDM: Rev:L

STATUS: Released

Printed: Jul 28, 2010