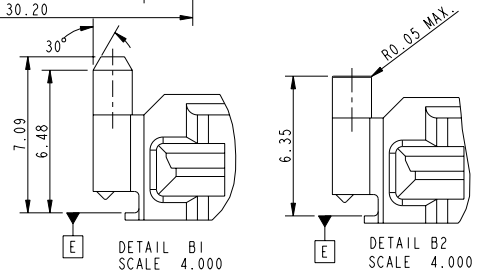
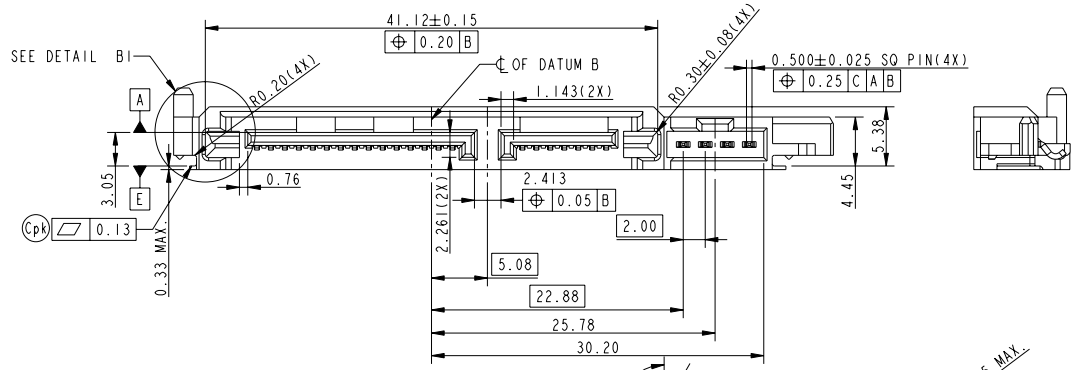
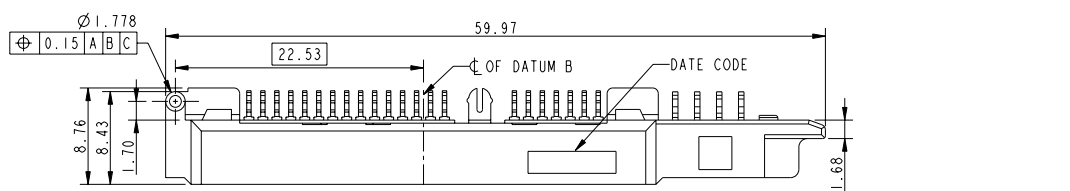


PRODUCT NO.	POLE HEIGHT	SEAGATE P/N.
10069818-001LF	7.09 DETAIL B1	100360169
10069818-002LF	7.09 DETAIL B1	100494111
10069818-003LF	7.09 DETAIL B1	100470664
10069818-004LF	6.35 DETAIL B2	100559898
10069818-005LF	7.09 DETAIL B1	100599737



- NOTES:
- MATERIAL: CONTACT PINS: BRASS C2680
HOUSING: 30% GLASS FILLED, LCP, BLACK, UL94V-0
 - FINISH:
A: SATA SIGNAL & POWER PINS: 1.27um MIN. Ni UNDERPLATE
OVERALL WITH 0.76um Au ON CONTACT AREA FOR 10069818-001~-004LF;
H 0.38um MIN. Au ON CONTACT AREA FOR 10069818-005LF
B: SQUARE PINS: 1.27um MIN. Ni UNDERPLATE OVERALL WITH
0.12um Au FLASH ON CONTACT AREA
C: SOLDER TAIL: 1.91um MIN. LEAD FREE(100%) MATTE Sn
 - PIN RETENTION FORCE: 0.9 LBS MIN. PER PIN BEFORE AND AFTER EXPOSURE TO REFLOW (245°C) TEMPERATURE
 - (Cpk) DENOTES CRITICAL DIMENSIONS, SPC REQUIRED
 - PACKAGING: CLEAR ANTISTATIC CARTRIDGE TUBE
 - PRODUCT SPECIFICATION: GS-12-194
 - THIS PRODUCT MEETS EUROPEAN UNION DIRECTIVES AND OTHER COUNTRY REGULATIONS AS DESCRIBED IN GS-22-008
 - THE HOUSING WILL WITHSTAND EXPOSURE TO 260°C PEAK TEMPERATURE FOR 10 SECONDS IN A CONVECTION, INFRA-RED OR VAPOR PHASE REFLOW OVEN
 - A SYMBOL Δ WILL BE NEXT TO ANY DIMENSION, VIEW OR NOTE WHICH HAS BEEN MODIFIED WITH THE CURRENT DRAWING REVISION

rev	ecm no	dr	date
H	S10-0051	HKL	2010-03-10
B	S07-0275	R.C.	2007-08-07
C	S08-0002	R.C.	2008-01-23
D	S08-0053	R.C.	2008-02-25
E	S09-0158	R.C.	2009-05-14
F	S10-0004	HKL	2010-01-12
G	S10-0020	HKL	2010-01-27

www.fciconnect.com		surface	tolerance std	projection	MM
		ASME Y14.5			
		TOLERANCES UNLESS OTHERWISE SPECIFIED			
Dr	R. CRASTA	2007-09-19	ANGULAR	0.x	±0.25
Eng	HK LIM	2010-03-10	LINEAR	0.xx	±0.13
Chr	HK LIM	2010-03-10	0° ±3°	0.xxx	±0.050
Appr	JOEY NG	2010-03-10	Product family	-	Spec ref
FCJ		title	2.5" SATA COMBO PLUG		Rev.
		catalog no	CUSTOMER		H
		draw no	10069818		sheet 1 of 4

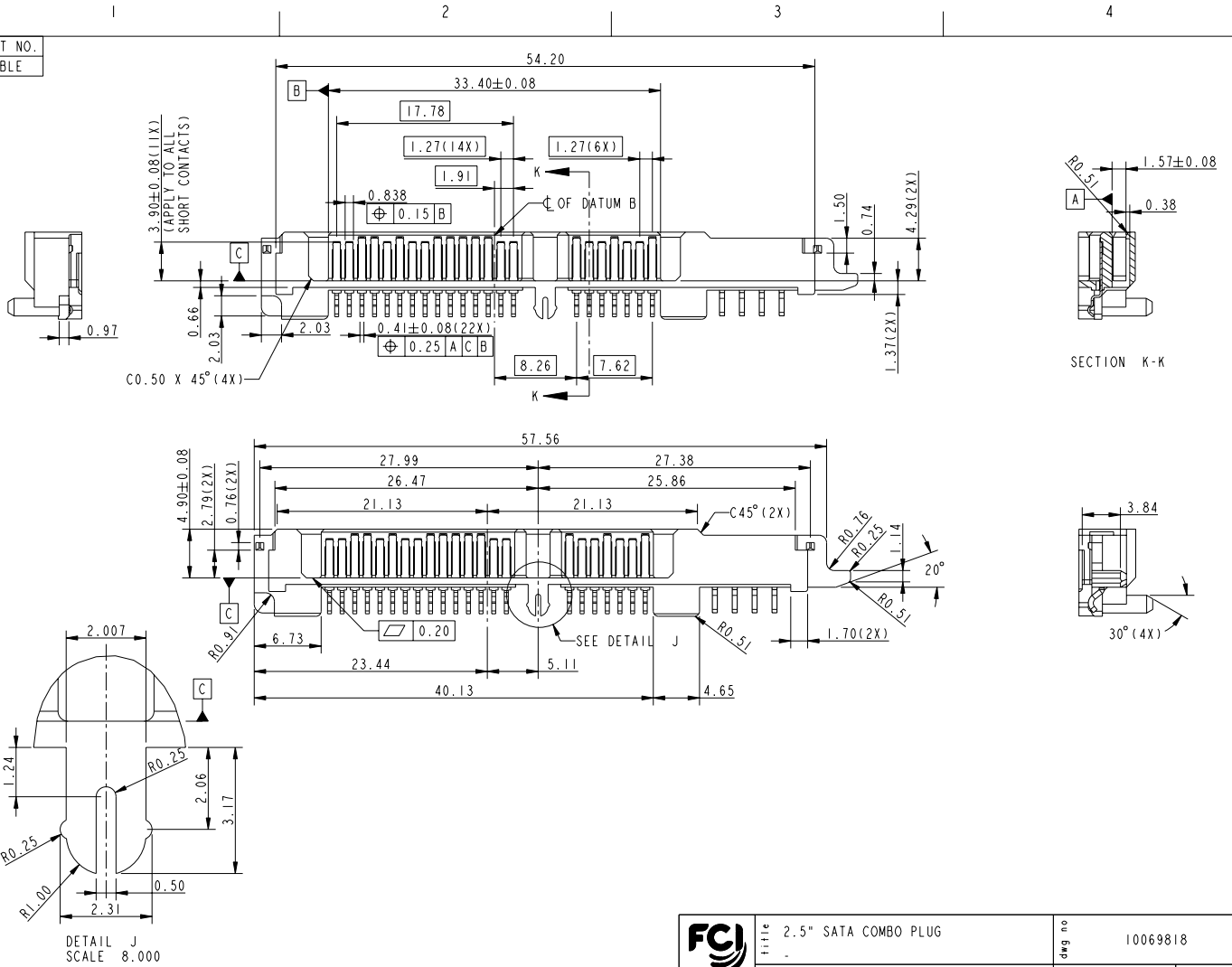


Copyright FCJ.



Copyright FCI.

PRODUCT NO.
SEE TABLE

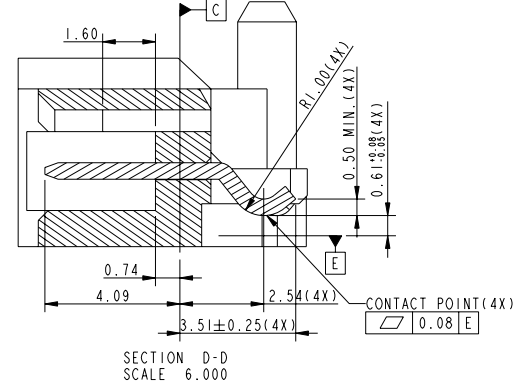
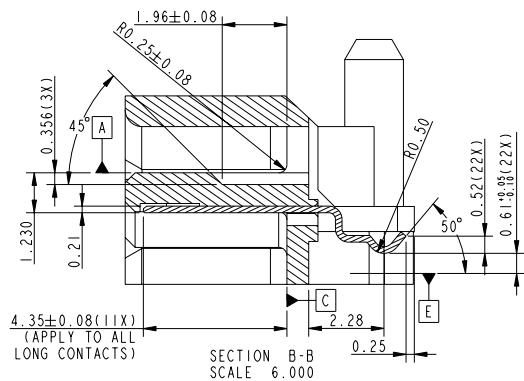
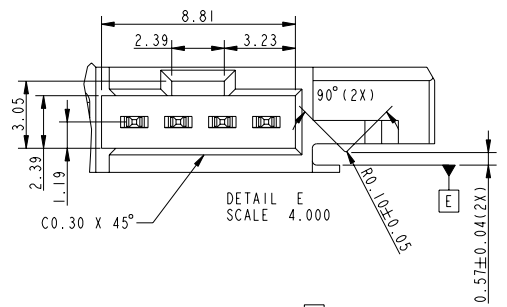
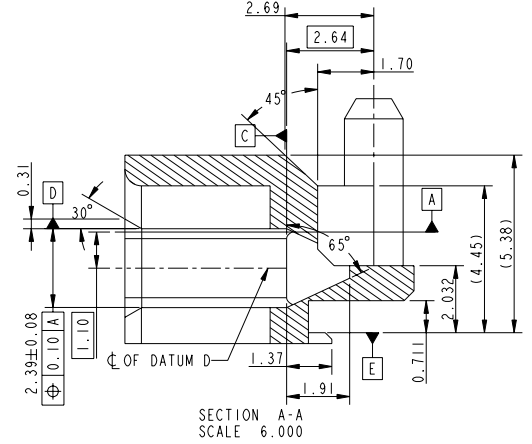
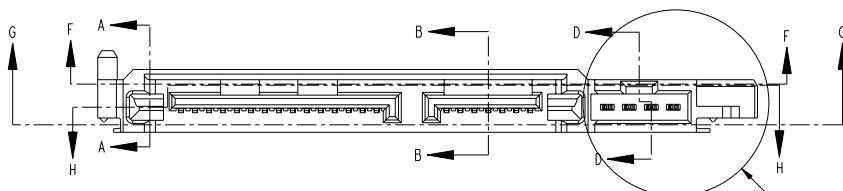


REV E - 2006-03-28

	TITLE	2.5" SATA COMBO PLUG	DRG NO	10069818	REV.	H
	CATALOG NO	-	CUSTOMER	sheet 2 of 4		

PDM: Rev:H STATUS:Released 4 Printed: Dec 01, 2010

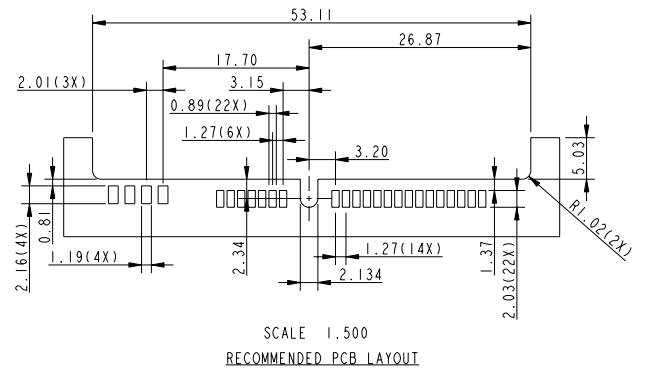
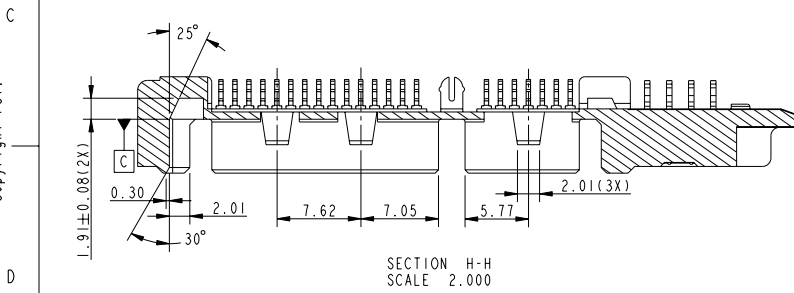
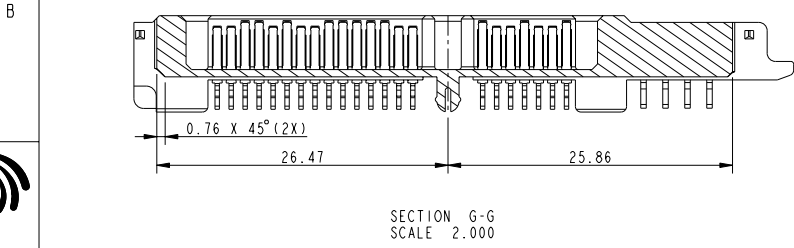
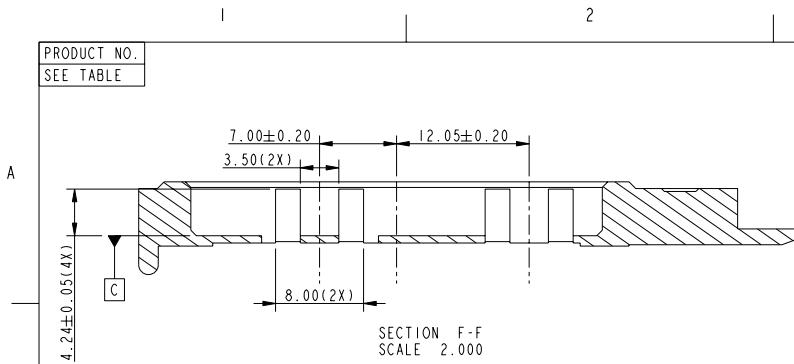
PRODUCT NO.
SEE TABLE



	title	2.5" SATA COMBO PLUG	dwg no	10069818	Rev.	H
	catalog no	-	CUSTOMER	sheet	3 of 4	

PDM: Rev:H STATUS:Released 4 Printed: Dec 01, 2010

PRODUCT NO.
SEE TABLE



	title	2.5" SATA COMBO PLUG	drwg no	10069818	Rev.	H
	catalog no	-	CUSTOMER	sheet 4 of 4		

PDM: Rev:H STATUS:Released 4 Printed: Dec 01, 2010