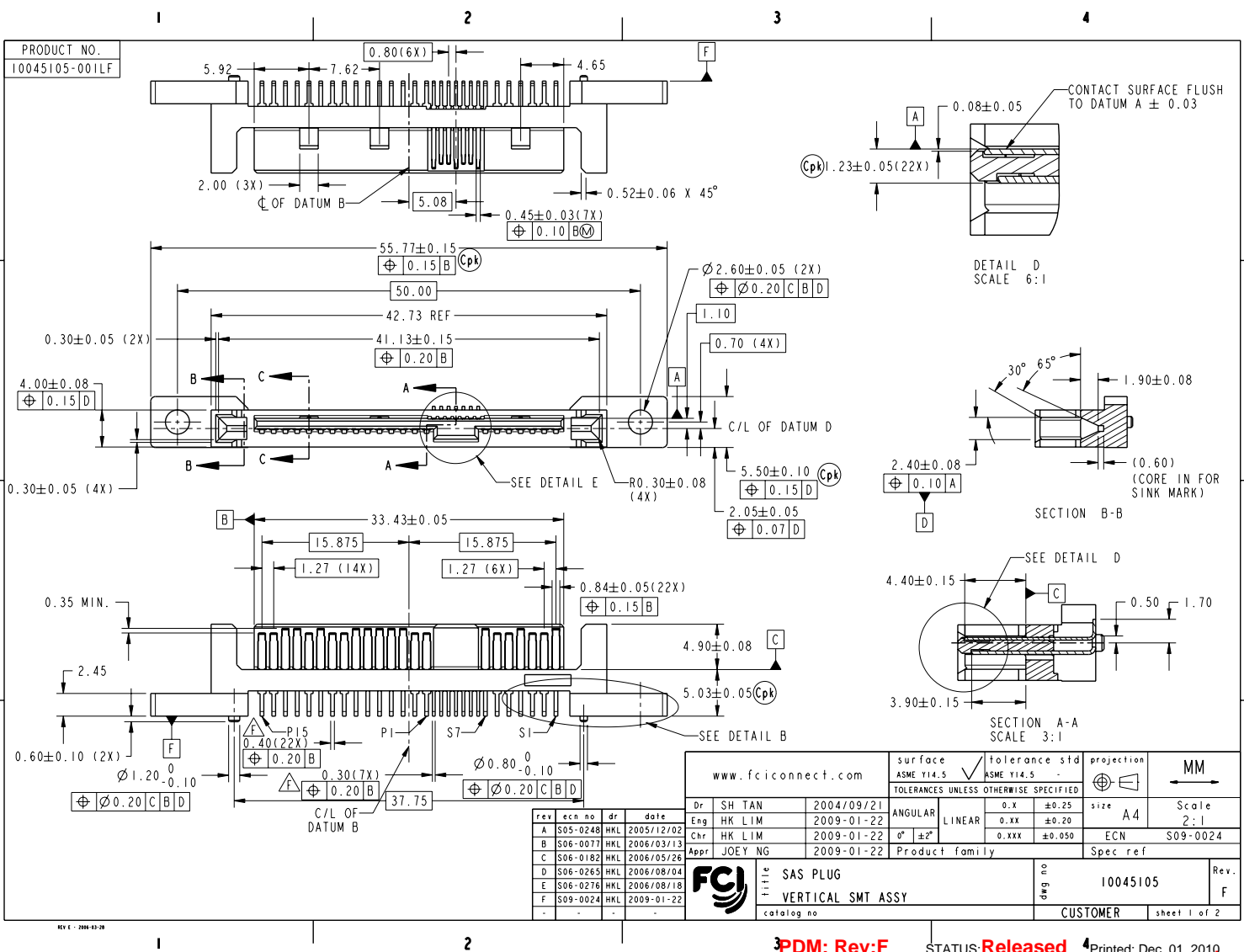


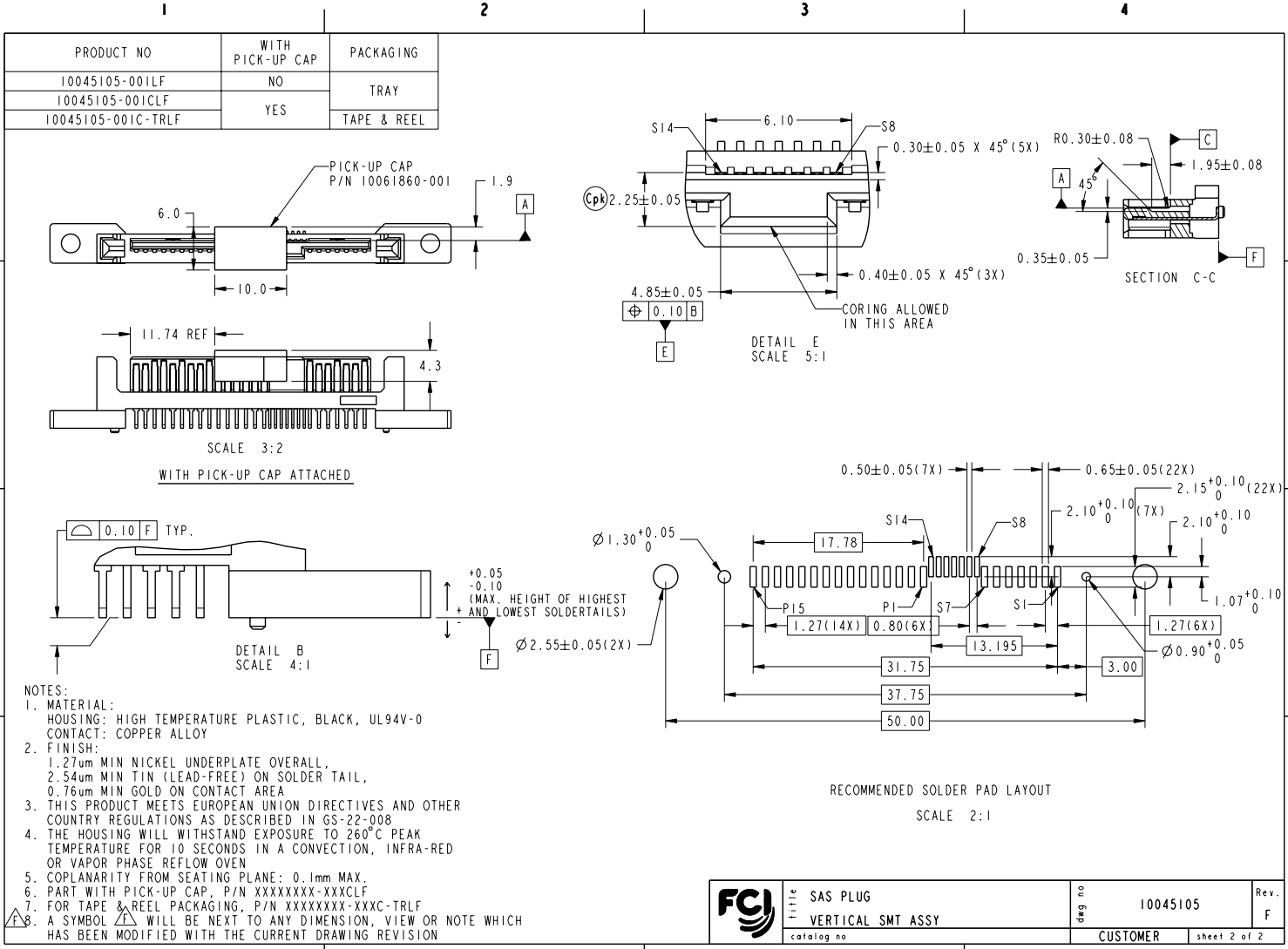



Copyright FCI.




rev	ecm no	dr	date
A	S05-0248	HKL	2005/12/02
B	S06-0077	HKL	2006/03/13
C	S06-0182	HKL	2006/05/26
D	S06-0265	HKL	2006/08/04
E	S06-0276	HKL	2006/08/18
F	S09-0024	HKL	2009-01-22

www.fciconnect.com		surface	ASME Y14.5	tolerance std	ASME Y14.5	projection	MM
Dr SH TAN		2004/09/21		TOLERANCES UNLESS OTHERWISE SPECIFIED		size	A4
Eng HK LIM		2009-01-22		ANGULAR	0.x	±0.25	Scale
Chr HK LIM		2009-01-22		LINEAR	0.xx	±0.20	2:1
Appr JOEY NG		2009-01-22		0° ±2°	0.xxx	±0.050	ECN
		Product family		Spec ref		S09-0024	
FCI		SAS PLUG		part no		10045105	
VERTICAL SMT ASSY		catalog no		CUSTOMER		Rev.	
						F	



Copyright FCI.  


	TITLE	SAS PLUG	DRG NO	10045105	REV.	F
	TITLE	VERTICAL SMT ASSY	CUSTOMER	sheet 2 of 2		

3 PDM: Rev:F    
 STATUS: Released    
 4 Printed: Dec 01, 2010