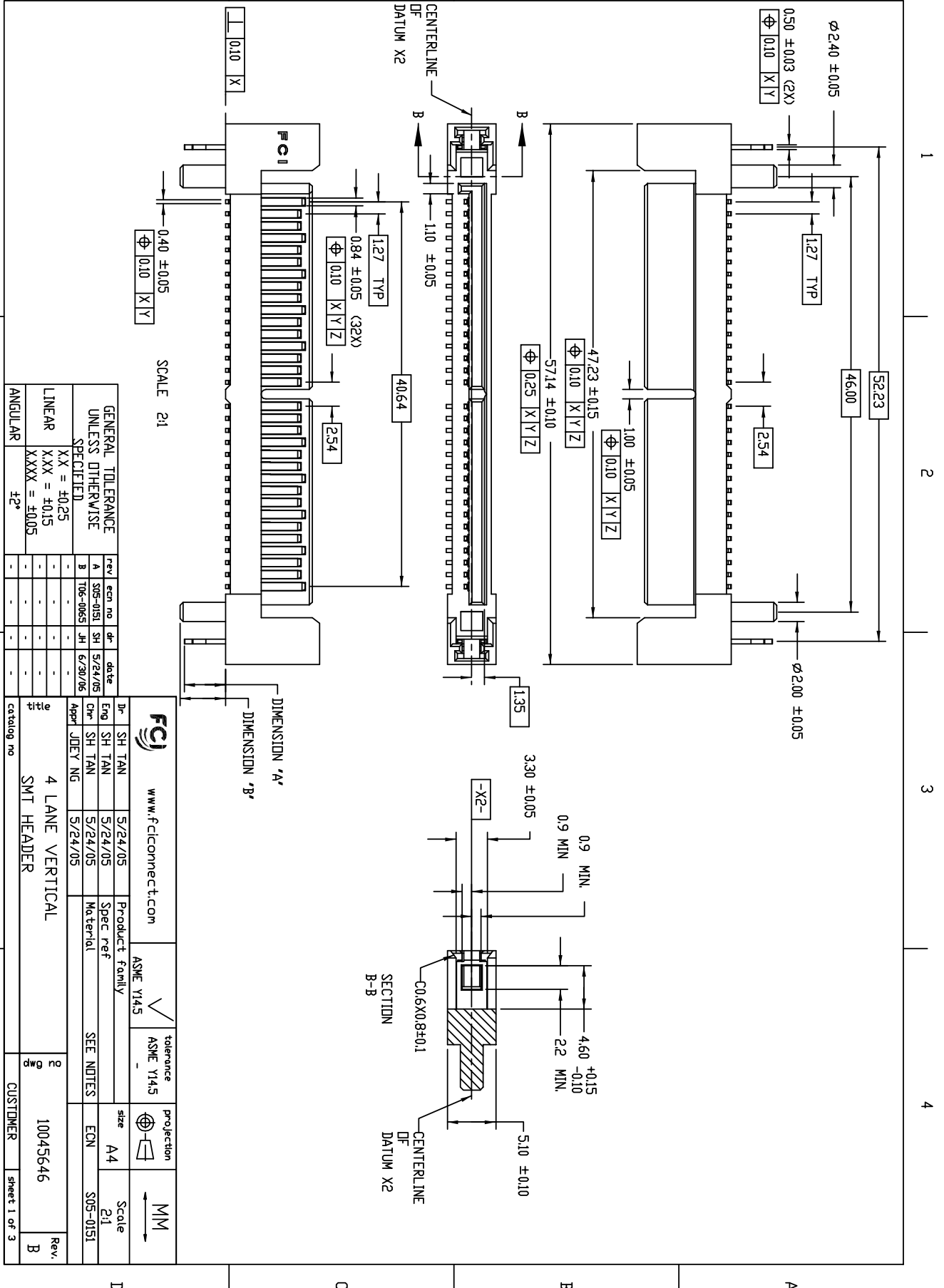


All rights strictly reserved. Reproduction or issue to third parties in any form whatever is not permitted without written authority from the proprietor. Property of FCI. Copyright FCI.



Tous droits strictement reserves. Reproduction ou communication a des tiers interdit sous quelque forme que ce soit sans autorisation ecrite du proprietaire. Propriete de c FCI. Droits de reproduction FCI.

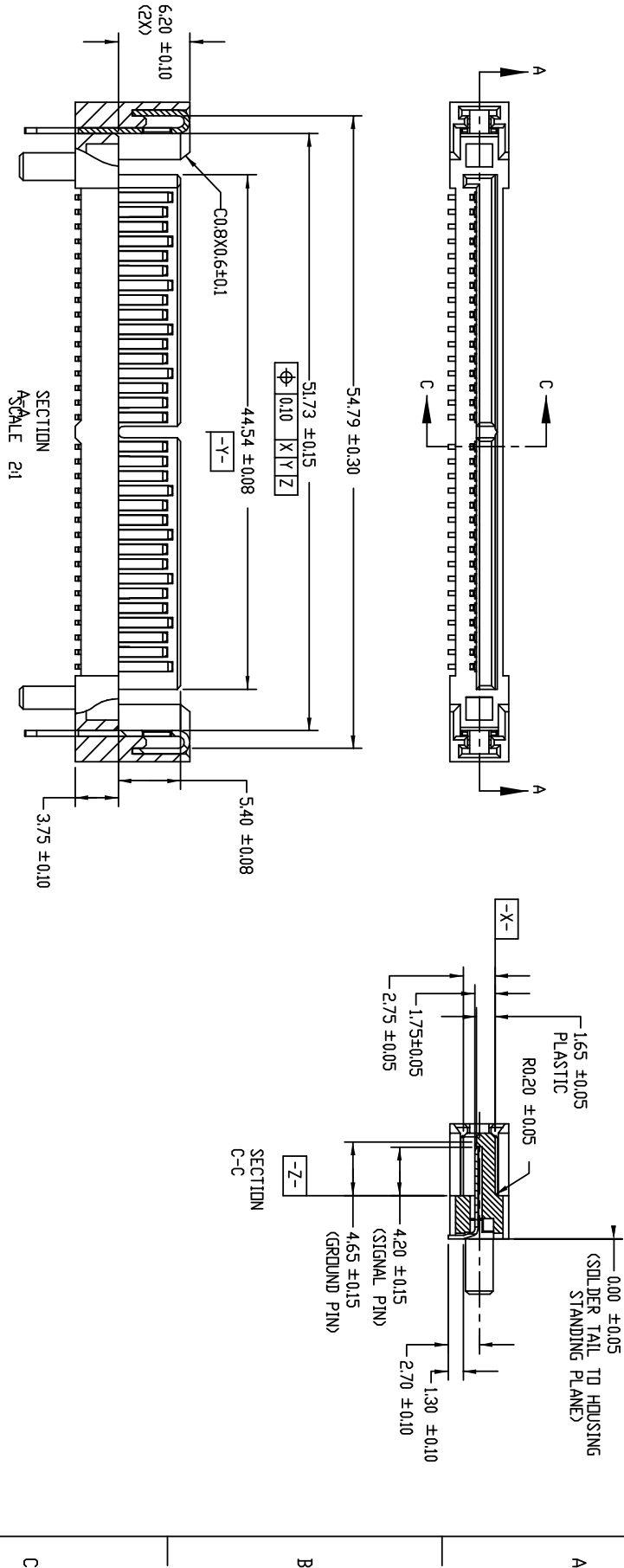


SCALE 2:1

GENERAL TOLERANCE UNLESS OTHERWISE SPECIFIED		rev	ecm no	dr	date
LINEAR	X.X = ±0.25 X.XX = ±0.15 X.XXX = ±0.05	A	S05-0151	SH	5/24/05
ANGULAR	±2°	B	T06-0065	JH	6/30/06

FCI www.fciconnect.com		ASME Y14.5	tolerance ASME Y14.5	projection	Scale
Dr	SH TAN	5/24/05	Product family	MM	2:1
Eng	SH TAN	5/24/05	Spec ref	A4	S05-0151
Chr	SH TAN	5/24/05	Material	ECN	
Appr	JDEY NG	5/24/05	SEE NOTES	size	
4 LANE VERTICAL SMT HEADER			customer	10045646	Rev. B
catalog no			customer	10045646	sheet 1 of 3

1 2 3 4



title	4 LANE VERTICAL SMT HEADER	Q	10045646	Rev.
catalog no		Customer		B
			Sheet 2 of 3	

1

2

3

4

1

2

3

4

D

C

B

A

