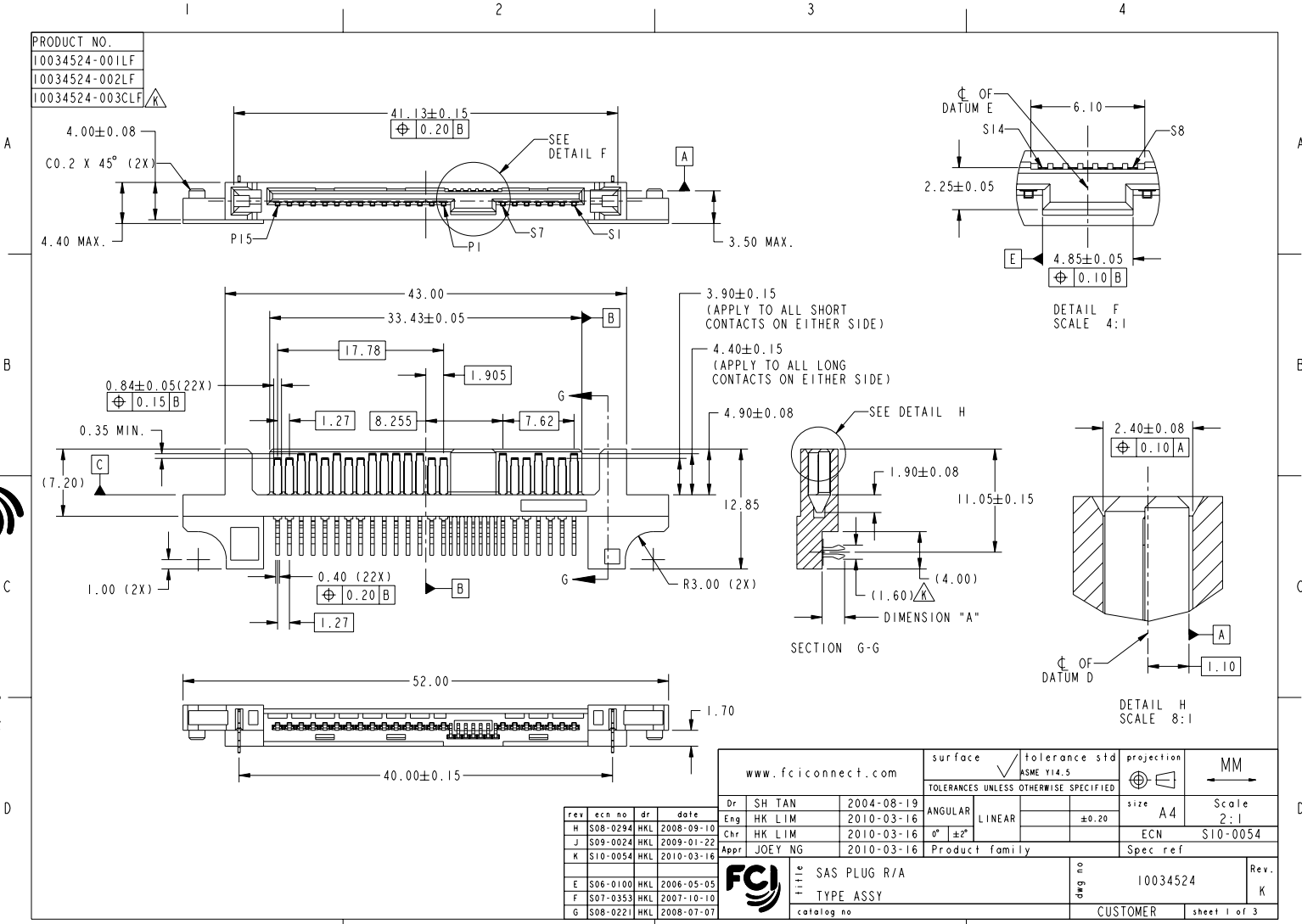


PRODUCT NO.  
 10034524-001LF  
 10034524-002LF  
 10034524-003CLF



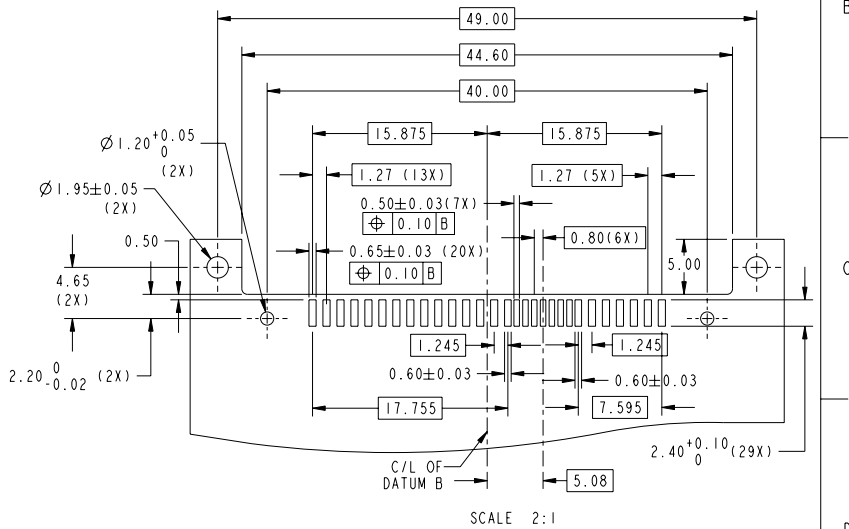
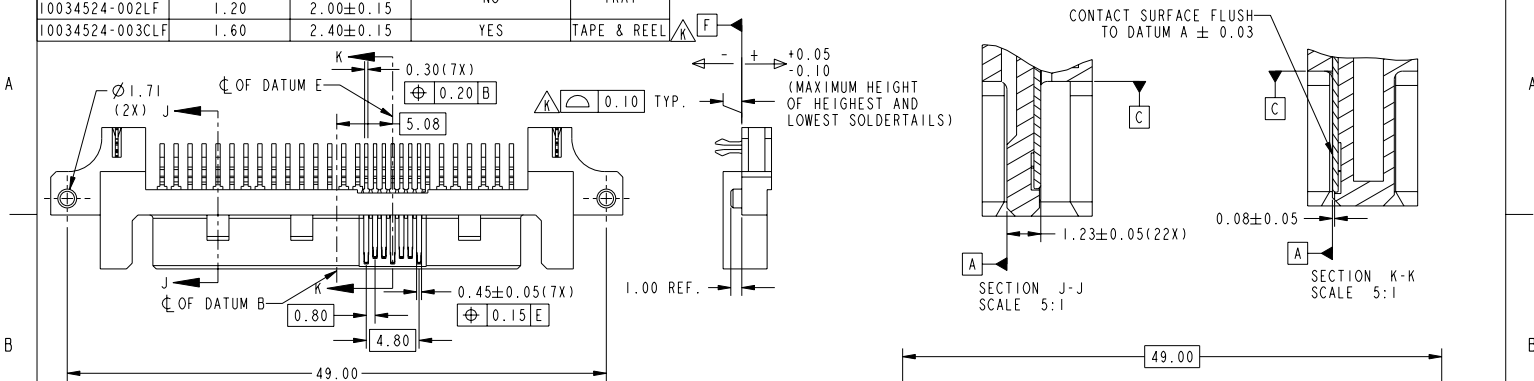
Copyright FCI.  
 FCJ

rev	ecn no	dr	date
H	S08-0294	HKL	2008-09-10
J	S09-0024	HKL	2009-01-22
K	S10-0054	HKL	2010-03-16
E	S06-0100	HKL	2006-05-05
F	S07-0353	HKL	2007-10-10
G	S08-0221	HKL	2008-07-07

www.fciconnect.com		surface	tolerance std	projection	MM
			ASME Y14.5		
		TOLERANCES UNLESS OTHERWISE SPECIFIED		size	Scale
Dr	SH TAN	2004-08-19	ANGULAR	A4	2:1
Eng	HK LIM	2010-03-16	LINEAR	ECN	S10-0054
Chr	HK LIM	2010-03-16	0° ±2°	Spec ref	
Appr	JOEY NG	2010-03-16	Product family		
FCJ		SAS PLUG R/A		part no	10034524
		TYPE ASSY		customer	CUSTOMER
catalog no				Rev.	K
				sheet	1 of 3

PDM: Rev:K STATUS:Released 4 Printed: Nov 30, 2010

PRODUCT NO.	PCB THICKNESS	DIMENSION "A" WITH ADHESIVE TAPE	PACKAGING
10034524-001LF	1.60	2.40±0.15	NO
10034524-002LF	1.20	2.00±0.15	TRAY
10034524-003CLF	1.60	2.40±0.15	YES
			TAPE & REEL

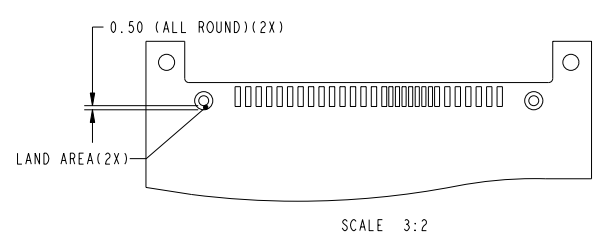
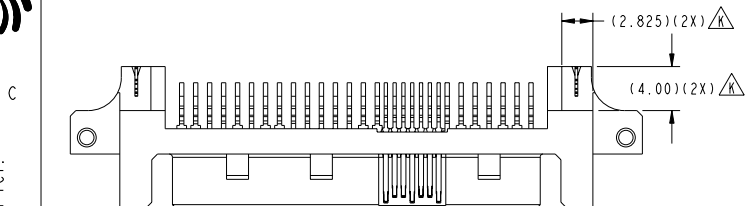
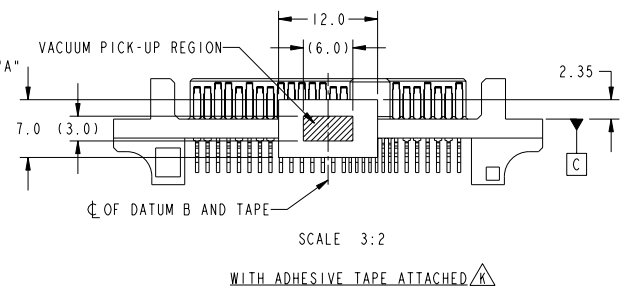
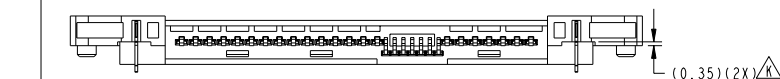
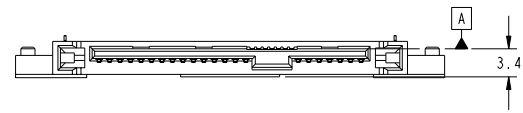
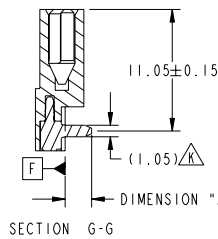
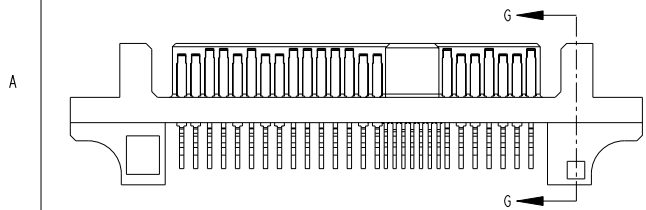


- NOTES:
- MATERIAL:  
HOUSING: HIGH TEMPERATURE PLASTIC, BLACK, UL94V-0  
CONTACT & HOLD DOWN: COPPER ALLOY  
TAPE: HIGH TEMPERATURE RESISTANT TAPE
  - FINISH:  
CONTACT: 1.27µm Min. NICKEL UNDERPLATE OVERALL,  
1.91µm Min. 100% MATTE TIN(LEAD-FREE) ON SOLDER TAIL,  
0.76µm Min. GOLD ON CONTACT AREA  
HOLD DOWN: 1.91µm Min. 100% MATTE TIN(LEAD-FREE) OVER  
1.27µm Min. NICKEL UNDERPLATE OVERALL
  - RECOMMENDED PCB THICKNESS: 1.20 & 1.60mm
  - THIS PRODUCT MEETS EUROPEAN UNION DIRECTIVES AND OTHER COUNTRY REGULATIONS AS DESCRIBED IN GS-22-008
  - THE HOUSING WILL WITHSTAND EXPOSURE TO 260°C PEAK TEMPERATURE FOR 10 SECONDS IN A CONVECTION, INFRA-RED OR VAPOR PHASE REFLOW OVEN
  - A SYMBOL WILL BE NEXT TO ANY DIMENSION, VIEW OR NOTE WHICH HAS BEEN MODIFIED WITH THE CURRENT DRAWING REVISION

	FILE	SAS PLUG R/A	DRG NO	10034524	REV.	K
	TITLE	TYPE ASSY	CUSTOMER	sheet 2 of 3		

PDM: Rev:K STATUS:Released <sup>4</sup>Printed: Nov 30, 2010

PRODUCT NO.  
10034524-003CLF



RECOMMENDED PAD LAYOUT FOR 10034524-003  
(FOR MORE DIMENSIONS, REFER TO PAD LAYOUT FOR 10034524-001/-002)

	TITLE SAS PLUG R/A	DRG NO 10034524	Rev. K
	TYPE ASSY	CUSTOMER	
catalog no	sheet 3 of 3		

Copyright FCJ.