

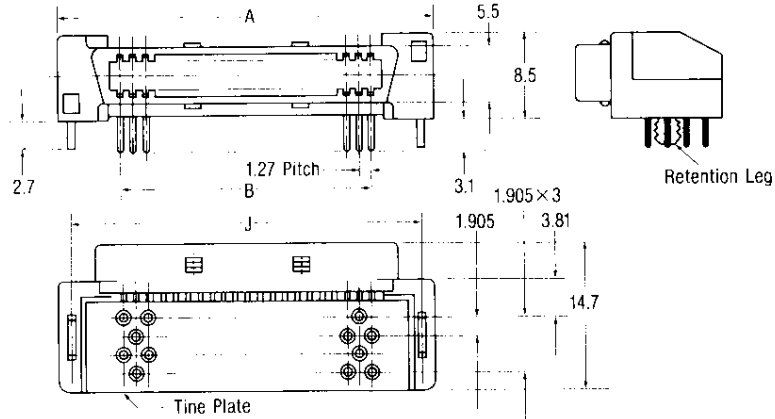
Board to Board Connectors FH (Free Height) 1.27mm Pitch Connectors/Solder Type Receptacle Assembly (Horizontal Mount Type)

Material and Finish :

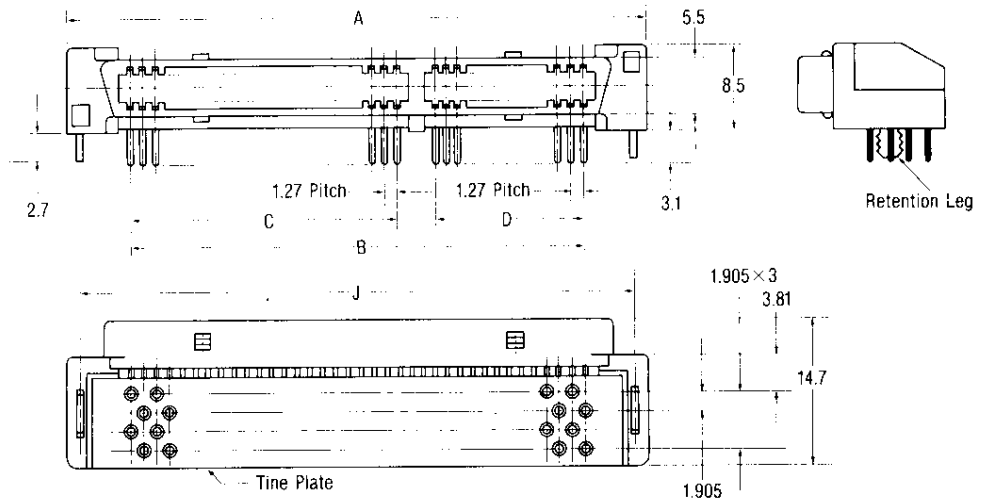
Housing—UL94V-0 rated,
glass-filled thermoplastic,
black

Contact—Phosphor bronze,
0.3µm min. gold on contact
area, 1.0µm min. tin-lead
plated or tin plated on leg
area over 1.3µm min. nickel
under-plated

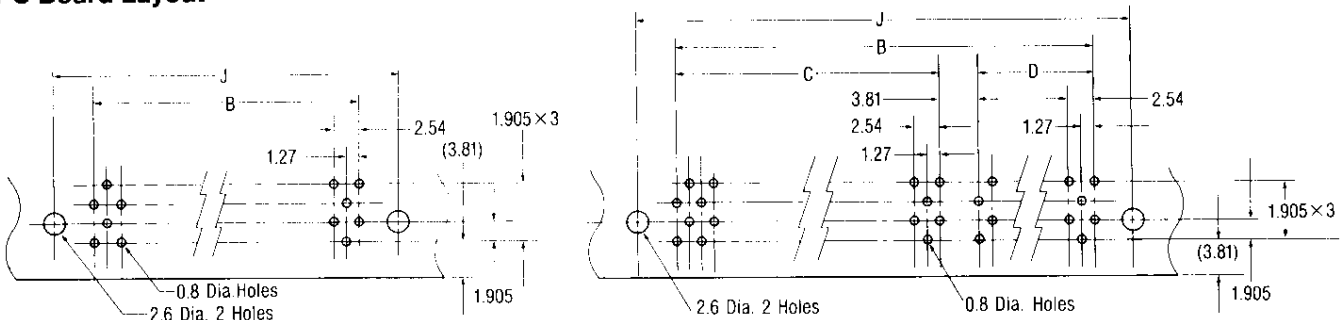
40, 60, 80
and 100 Pos.



120, 140, 160 and 180 Pos.



PC Board Layout



For 40, 60, 80 and 100 Pos.

For 120, 140, 160 and 180 Pos.

No. of Pos.	Dimensions					Part Number
	A	B	C	D	J	
40	36.8	24.13	—	—	34.10	176379-1
60	49.5	36.83	—	—	46.80	176379-2
80	62.2	49.53	—	—	59.50	176379-3
100	74.9	62.23	—	—	72.20	176379-4
120	90.1	77.47	49.53	24.13	87.44	176379-5
140	102.8	90.17	49.53	36.83	100.14	176379-6
160	115.5	102.87	62.23	36.83	112.64	176379-7
180	128.2	115.57	62.23	49.53	125.54	176379-8