

# DC BLOCKS

SMA, 7 kHz - 23 GHz, Inner Only

## SPECIFICATIONS:

Models: 8535

**RoHS**  
Compliant

**AEROFLEX**  
A passion for performance.

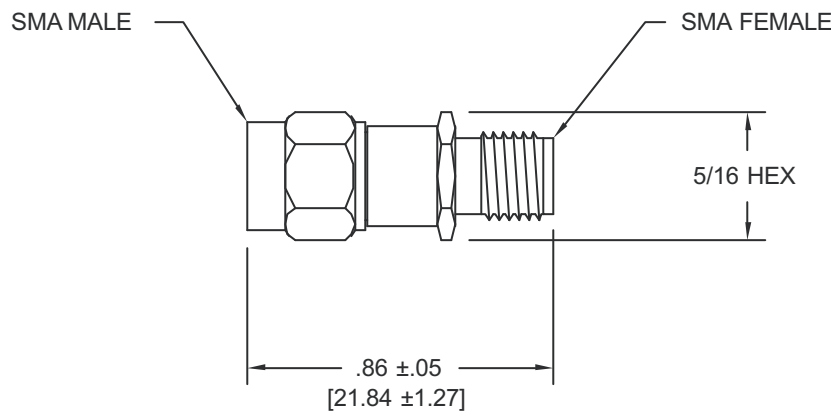
### Electrical:

Frequency Range \_\_\_\_\_ 7 KHz - 23 GHz  
VSWR (100 KHz - 23 GHz) \_\_\_\_\_ 1.35:1 Max.  
Impedance \_\_\_\_\_ 50 Ohms  
Insertion Loss  
100 KHz - 12.4 GHz \_\_\_\_\_ 0.5 dB Max.  
12.4 - 23 GHz \_\_\_\_\_ 0.75 dB Max.  
Voltage Rating \_\_\_\_\_ 100 Volts  
Operating Temp. Range \_\_\_\_\_ -65°C to +125°C  
< -3 dB Bandwidth \_\_\_\_\_ 7 KHz - 23 GHz

### Mechanical:

SMA Connectors \_\_\_\_\_ Passivated Stainless Steel  
Mates with MIL-STD-348  
Conductors \_\_\_\_\_ Gold Plated Beryllium Copper

Model Number: **8535**



Note: Dimensions in Brackets are Expressed in Millimeters and are for Reference Only.

8535: REVA

**AEROFLEX**  
INMET

Aeroflex / Inmet, Inc. • 300 Dino Drive, Ann Arbor, MI 48103 • U.S.A.  
888-244-6638 or 734-426-5553 • FAX: 734-426-5557  
www.aeroflex.com/inmet • inmet-sales@eroflex.com