

# DC BLOCKS

Type N, 10 MHz - 18GHz, 200 Volts

## SPECIFICATIONS:

Models: 8046, 8047, 8048, 8049, 8050, 8051, 8052, 8053, 8054

**RoHS**  
Compliant

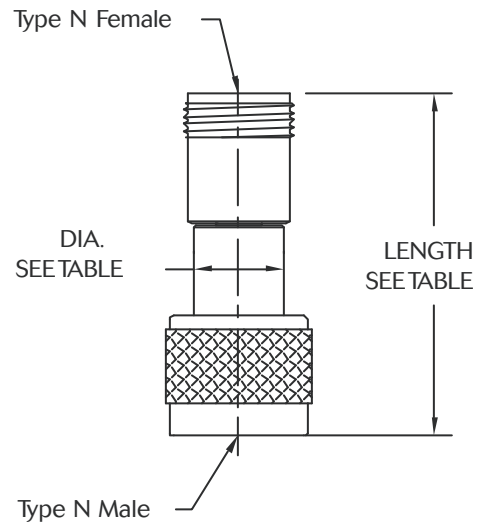
### Electrical:

Frequency Range \_\_\_\_\_ 10 MHz - 18 GHz  
 VSWR \_\_\_\_\_ 1.35:1 Max.  
 Impedance \_\_\_\_\_ 50 Ohms  
 Insertion Loss \_\_\_\_\_ 0.60 dB Max.  
 Voltage Rating \_\_\_\_\_ 200 Volts Max.  
 Operating Temp. Range \_\_\_\_\_ -65°C to +125°C

### Mechanical:

Type N Connectors \_\_\_\_\_ Passivated Stainless Steel  
Mates with MIL-STD-348  
 Conductors \_\_\_\_\_ Gold Plated Beryllium Copper  
 Housings:  
 Inner Only Blocks \_\_\_\_\_ Passivated Stainless Steel  
 Outer and Inner/Outer Blocks \_\_\_\_\_ High Temperature Plastic

**AEROFLEX**  
A passion for performance.



Model Shown: 8047

**TABLE**

MODEL NUMBER	BLOCK TYPE	CONN. CONFIG.	WEIGHT GRAMS MAX.	DIAMETER	LENGTH
<b>8046</b>	INNER ONLY	MALE/ FEMALE	65.6	Ø.63 [16.0]	1.76 ±.03 [44.7 ±0.8]
<b>8047</b>	OUTER ONLY		50.9	Ø.50 [12.7]	1.91 ±.03 [48.5 ±0.8]
<b>8048</b>	INNER-OUTER				
<b>8049</b>	INNER ONLY	FEMALE/ FEMALE	56.6	Ø.56 [14.2]	1.99 ±.03 [50.6 ±0.8]
<b>8050</b>	OUTER ONLY		44.4	Ø.50 [12.7]	
<b>8051</b>	INNER-OUTER				
<b>8052</b>	INNER ONLY	MALE/ MALE	69.7	Ø.56 [14.2]	1.83 ±.03 [46.5 ±0.8]
<b>8053</b>	OUTER ONLY		57.5	Ø.50 [12.7]	
<b>8054</b>	INNER-OUTER				

Note: Dimensions in Brackets are Expressed in Millimeters and are for Reference Only.

8046: REV G

**AEROFLEX**  
INMET

Aeroflex / Inmet, Inc. • 300 Dino Drive, Ann Arbor, MI 48103 • U.S.A.  
 888-244-6638 or 734-426-5553 • FAX: 734-426-5557  
 www.aeroflex-inmet.com • inmet-sales@aeroflex.com