

ADAPTERS, BETWEEN-SERIES

Type N / BNC, DC - 8 GHz, Precision

SPECIFICATIONS:

Models: 5130, 5131, 5132, 5133

RoHS
Compliant

AEROFLEX
A passion for performance.

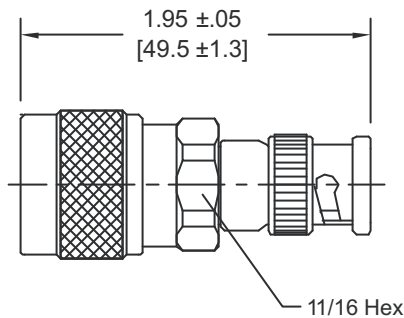
Electrical:

Frequency Range _____ DC - 8 GHz
 VSWR _____
 DC - 4 GHz _____ 110:1 Max.
 4 - 8 GHz _____ 115:1 Max.
 Impedance _____ 50 Ohms
 Operating Temp. Range _____ -65°C to +125°C

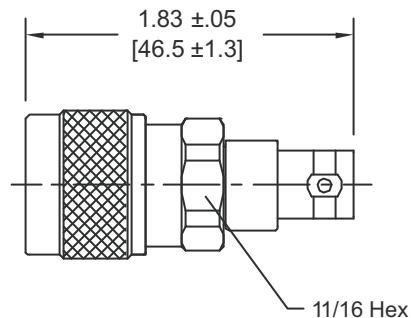
Mechanical:

Type N Connectors _____ Passivated Stainless Steel
Mates with MIL-STD-348
 BNC Connectors _____ Nickel Plated Brass
Mates with MIL-STD-348
 Conductors _____ Gold Plated Beryllium Copper

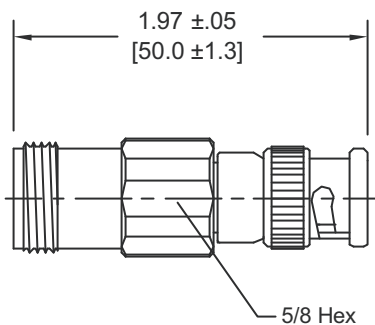
Model Number: **5130**
Type N Male / BNC Male



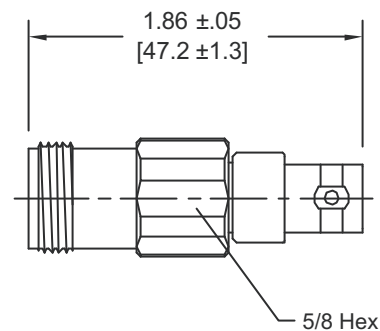
Model Number: **5131**
Type N Male / BNC Female



Model Number: **5132**
Type N Female / BNC Male



Model Number: **5133**
Type N Female / BNC Female



Note: Dimensions in Brackets are Expressed in Millimeters and are for Reference Only.

5130: REVA

AEROFLEX
INMET

Aeroflex / Inmet, Inc. • 300 Dino Drive, Ann Arbor, MI 48103 • U.S.A.
 888-244-6638 or 734-426-5553 • FAX: 734-426-5557
 www.aeroflex.com/inmet • inmet-sales@eroflex.com