

ADAPTERS, BETWEEN SERIES

2.4mm / SMA, DC - 26.5 GHz

SPECIFICATIONS:

Models: 5080, 5081, 5082, 5083

RoHS
Compliant



Electrical:

Frequency Range _____ DC - 26.5 GHz
 VSWR _____ 1.20:1 Max.
 Impedance _____ 50 Ohms
 Operating Temp. Range _____ -65°C to +125°C

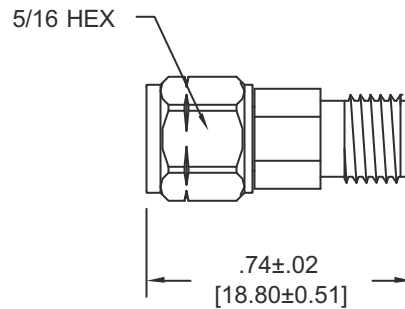
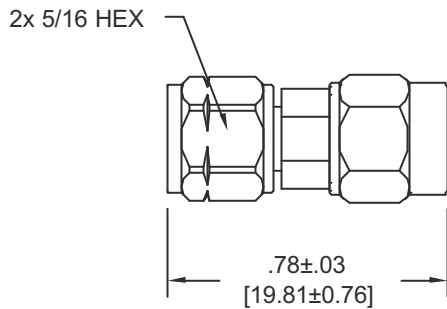
Mechanical:

2.4mm Connectors _____ Passivated Stainless Steel
Mates with 1.85mm & V* Connectors
 SMA Connectors _____ Passivated Stainless Steel
Mates with MILSTD-348
 Conductors _____ Gold Plated Beryllium Copper

*V is a trademark of Anritsu Corp.

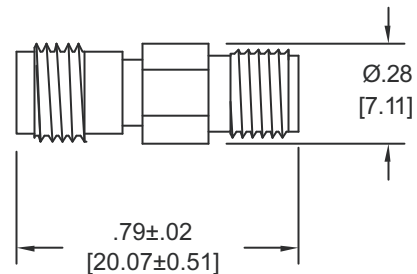
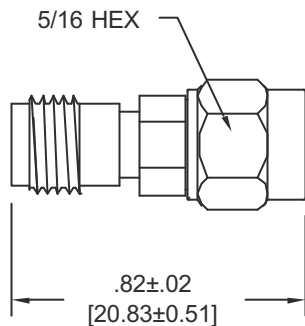
Model Number: **5080**
2.4mm MALE / SMA MALE

Model Number: **5082**
2.4mm MALE / SMA FEMALE



Model Number: **5081**
2.4mm FEMALE / SMA MALE

Model Number: **5083**
2.4mm FEMALE / SMA FEMALE



Note: Dimensions in Brackets are Expressed in Millimeters and are for Reference Only.
 Units that offer very low return loss (VSWR) are also available.

5080: REV -



Aeroflex / Inmet, Inc. • 300 Dino Drive, Ann Arbor, MI 48103 • U.S.A.
 888-244-6638 or 734-426-5553 • FAX: 734-426-5557
 www.aeroflex.com/inmet • inmet@aeroflex.com