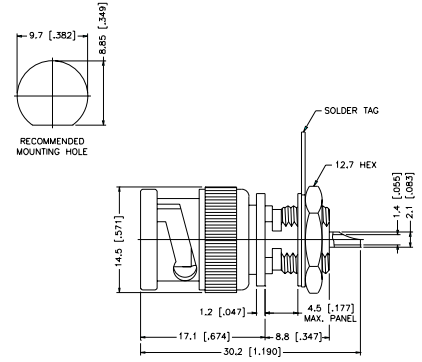


# Bulkhead Receptacle/Solder Cup Terminal

## Bulkhead Receptacle Plug - Front Mount

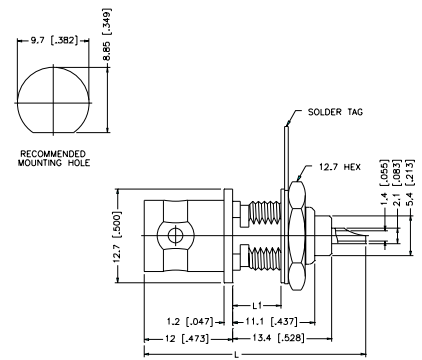
| P.N.            | Cable Group | Plt.   | Ins.   | Imp. | Crimp Tool |
|-----------------|-------------|--------|--------|------|------------|
| Brass Shell     |             |        |        |      |            |
| B1351Q1-ND3G-50 | N/A         | Nickel | Delrin | 50   | N/A        |
| B1351Q2-NT3G-75 | N/A         | Nickel | Teflon | 75   | N/A        |

Remark: 4.5 [.177] Max. panel thickness



## Bulkhead Receptacle Jack - Front Mount

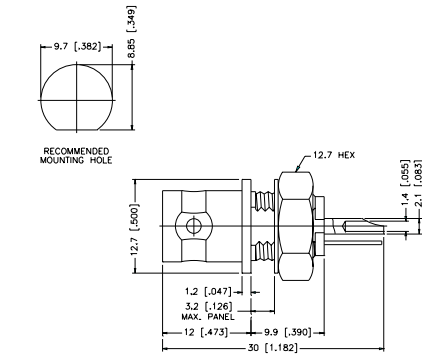
| P.N.  | Cable Group | Plt.   | Ins.   | Imp. | Crimp Tool |
|---|-------------|--------|--------|------|------------|
| L1 = 3.2 [.126] Max. panel thickness, L = 26.7 [1.05] |             |        |        |      |            |
| B6351B1-ND3G-50                                       | N/A         | Nickel | Delrin | 50   | N/A        |
| B6351B1-NT3G-50                                       | N/A         | Nickel | Teflon | 50   | N/A        |
| OS-B713Z-ND3G-50<br>Die cast Body                     | N/A         | Nickel | Delrin | 50   | N/A        |
| B6351B1-ND3G-75                                       | N/A         | Nickel | Delrin | 75   | N/A        |
| L1 = 6.5 [.256] Max. panel thickness, L = 30.0 [1.18] |             |        |        |      |            |
| B6351B2-ND3G-50                                       | N/A         | Nickel | Delrin | 50   | N/A        |
| B6351B2-ND3G-75                                       | N/A         | Nickel | Delrin | 75   | N/A        |
| L1 = 9.5 [.374] Max. panel thickness, L = 33.0 [1.30] |             |        |        |      |            |
| B6351B3-ND3G-50                                       | N/A         | Nickel | Delrin | 50   | N/A        |
| B6351B3-ND3G-75                                       | N/A         | Nickel | Delrin | 75   | N/A        |



## Bulkhead Receptacle Isolated Jack - Front Mount

| P.N.              | Cable Group | Plt.   | Ins. | Imp. | Crimp Tool |
|-------------------|-------------|--------|------|------|------------|
| B6651B1-NNYL3G-50 | N/A         | Nickel | ABS  | 50   | N/A        |
| B6651B1-NNYL3G-75 | N/A         | Nickel | ABS  | 75   | N/A        |

Remark: 3.2 [.126] Max. panel thickness



## Bulkhead Receptacle Isolated Jack - Rear Mount

| P.N.                | Cable Group | Plt.   | Ins.   | Imp. | Crimp Tool |
|---------------------|-------------|--------|--------|------|------------|
| B675100-001-NT3G-50 | N/A         | Nickel | Teflon | 50   | N/A        |

