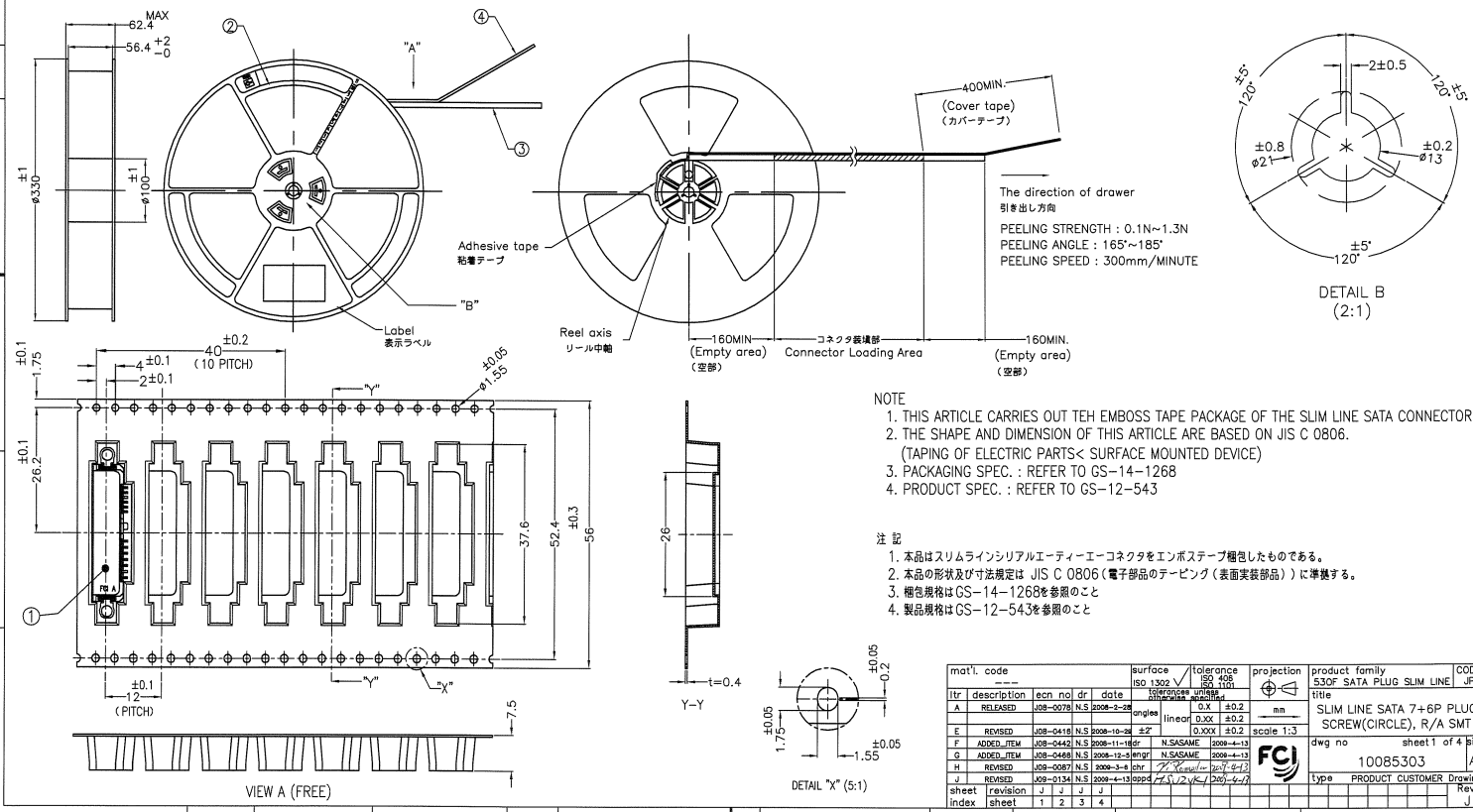


PRODUCT NO.	① CONNECTOR	QTY
10085303-0001ELF	10085303-0001ALF	600
10085303-0010ELF	10085303-0010ALF	600
10085303-0101ELF	10085303-0101ALF	600
10085303-0110ELF	10085303-0110ALF	600
10085303-1101ELF	10085303-1101ALF	600
10085303-2010ELF	10085303-2010ALF	600
10085303-2110ELF	10085303-2110ALF	600
10085303-2101ELF	10085303-2101ALF	600
10085303-3001ELF	10085303-3001ALF	600
10085303-3101ELF	10085303-3101ALF	600

EMBOSS PACKAGE

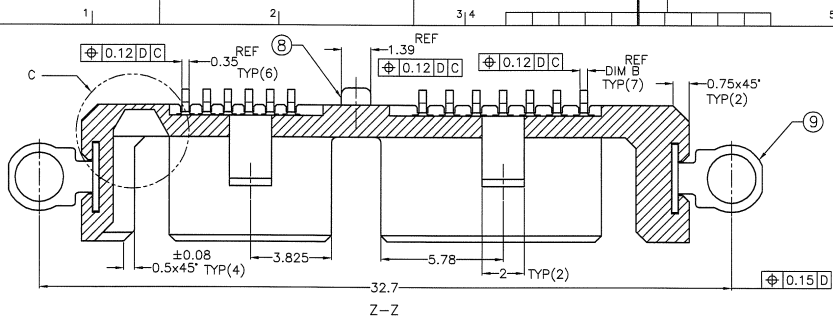
PARTS TABLE 部品表

No.	PART NAME 部品名	MATERIAL 材質	QTY.	NOTE 備考
①	CONNECTOR コネクタ	SEE SHEET 2	600	
②	THE REEL FOR PACKAGING 巻取り用リール	POLYSTYRENE ポリスチレン	1	Color: BLACK or BLUE, ELECTRIFICATION PREVENTION PROCESSING 色:黒または青、帯電防止処理品
③	EMBOSS TAPE エンボスタープ	PET	1	ELECTRIFICATION PREVENTION PROCESSING 帯電防止処理品
④	COVER TAPE カバーテープ	POLYESTER ポリエステル	1	



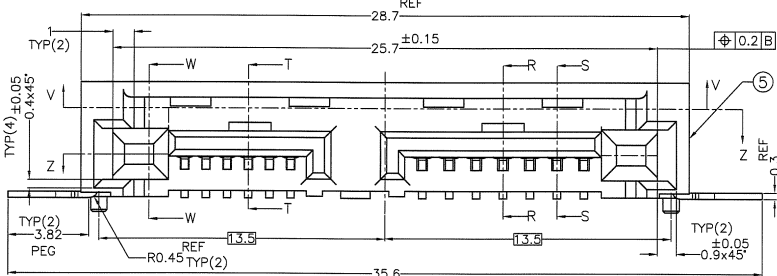
mat'l. code	surface	tolerance	projection	product family	CODE
---	ISO 1302	ISO 4013	ISO 1101	530F SATA PLUG SLIM LINE	JP
itr description	ecn no	dr	date	title	
A RELEASED	108-0078	N.S	2008-02-28	SLIM LINE SATA 7+6P PLUG SCREW(CIRCLE), R/A SMT	
E REVISION	108-0418	N.S	2008-10-28		
F ADDED_ITEM	108-0442	N.S	2008-11-18		
G ADDED_ITEM	108-0448	N.S	2008-12-01		
H REVISION	108-0081	N.S	2008-04-04		
J REVISION	108-0134	N.S	2008-04-13		
sheet revision	J	J	J		
index sheet	1	2	3	4	

CONNECTOR ASSY



PARTS TABLE 部品表

No.	Part name 部品名	QTY.	Note 備考
⑤	HOUSING ハウジング	1	HIGH TEMP THERMOPLASTIC COLOR : BLACK, UL94V-0
⑥	SIGNAL CONTACT シグナルコンタクト	7	COPPER ALLOY CONTACT AREA : Au SOLDERING AREA : Au or TIN
⑦	POWER CONTACT パワーコンタクト	6	COPPER ALLOY CONTACT AREA : Au SOLDERING AREA : Au or TIN
⑧	SOLDER PEG (CENTER) 溶剤線 (中央部)	1	COPPER ALLOY TIN PLATING
⑨	SOLDER PEG (L&R) 溶剤線 (左・右)	2	COPPER ALLOY TIN PLATING

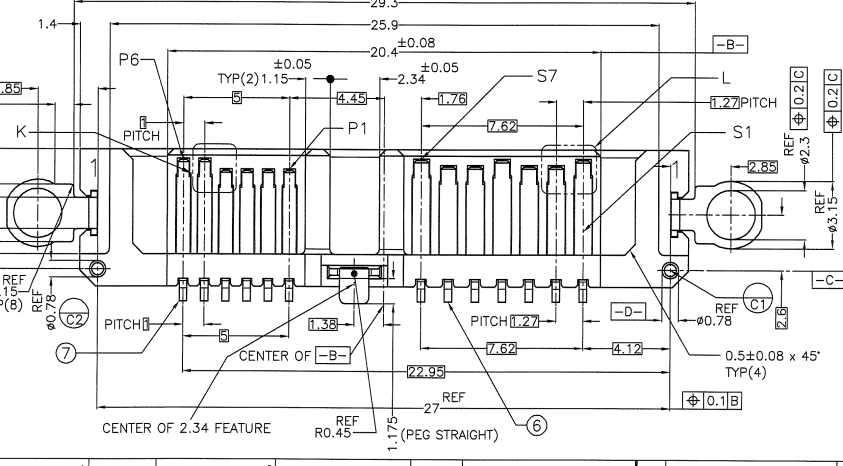
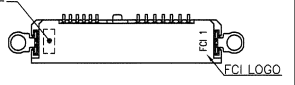


<P/N composition> <P/N構成>

- 10085303 - X X X X X X L F
- LEAD-FREE
 - PACKAGE SPEC
 - E : TAPE AND REEL (EMBOSS ASSY)
 - T : TRAY (TRAY ASSY)
 - A : CONNECTOR ASSY (NOT PACKAGE)
 - CONTACT TAIL LENGTH (DIM C)
 - 0 : 1.0mm
 - 1 : 0.7mm
 - SIGNAL CONTACT TAIL WIDTH (DIM B)
 - 0 : 0.35mm
 - 1 : 0.40mm
 - HSG BOSS LENGTH (DIM A)
 - 0 : 1.0mm
 - 1 : 0.7mm
 - CONTACT PLATING (CONTACT AREA / SOLDERING AREA)
 - 0 : GOLD FLASH (0.05μm) / TIN PLATING
 - 1 : 0.38μm GOLD PLATING / TIN PLATING
 - 2 : 0.76μm GOLD PLATING / TIN PLATING
 - 3 : GOLD FLASH (0.05μm) / GOLD FLASH (0.05μm)
 - 4 : 0.76μm GOLD PLATING / GOLD FLASH (0.05μm)

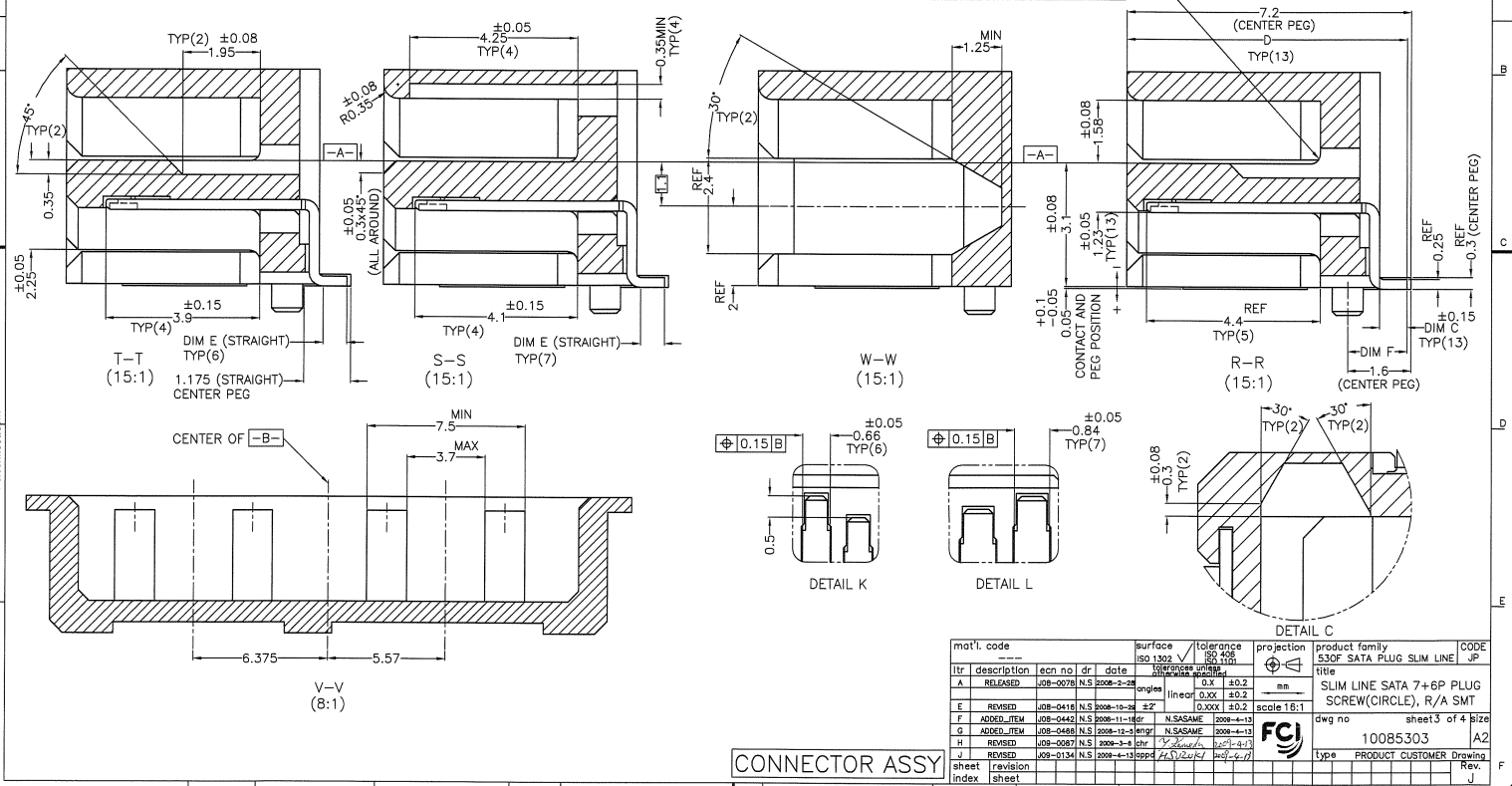
NOTE

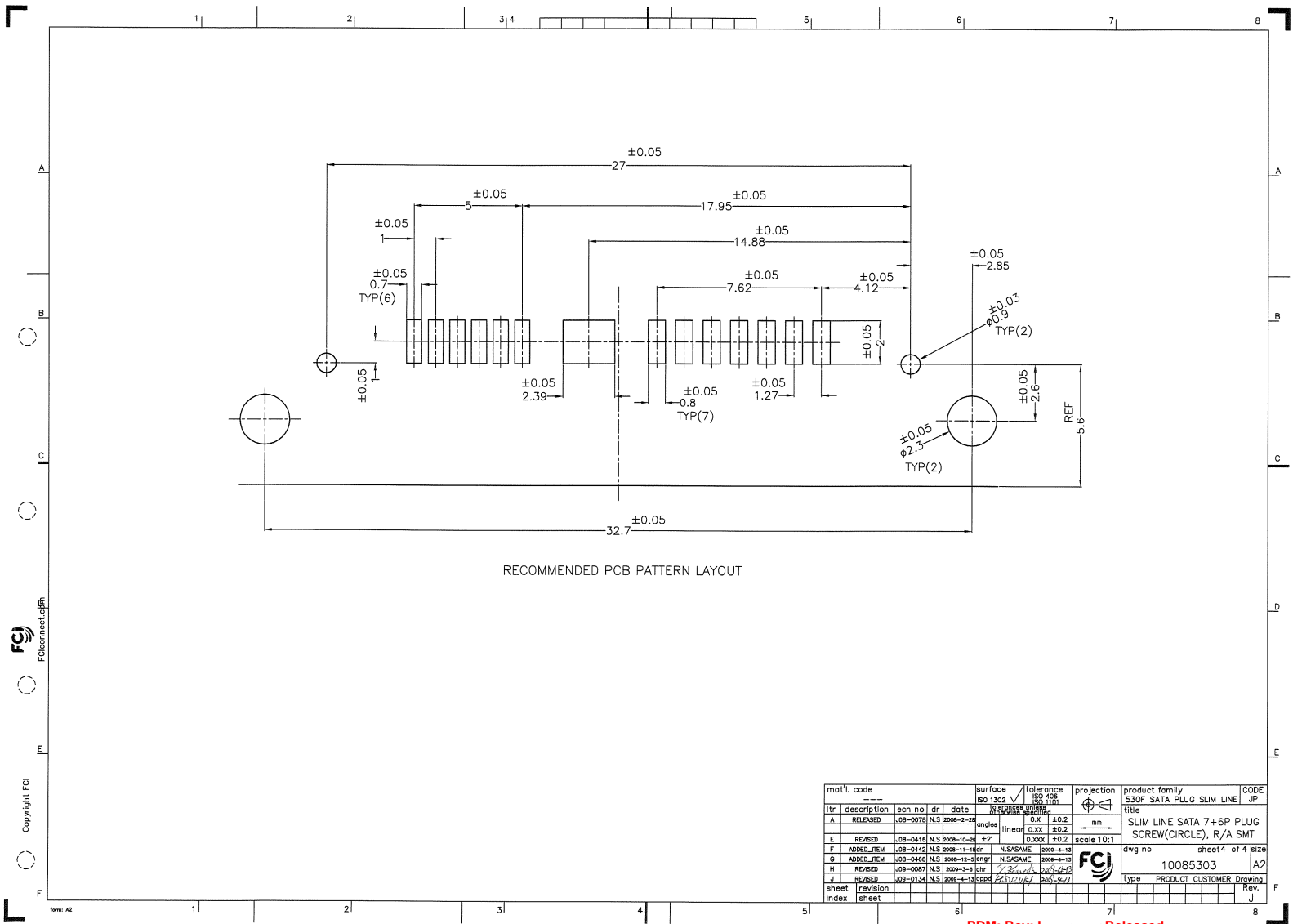
- MATERIAL : SEE TABLE
 - FINISH : SEE TABLE AND P/N COMPOSITION TABLE
 - COPLANARITY : 0.1 MAX. (CONTACT AND SOLDER PEG)
 - DATE CODE MARK : YY/MM/DD/XX XX IS USED TO MARK CONTACT PLATING SPEC.
"05" : FLASH, "15" : 15μ, "30" : 30μ
- 注記
 5. 材料 : 表参照
 6. めっき : 表及び型番構成参照
 7. コプラナリティ : 0.1以下 (端子、金具)
 8. デートコード刻印 : YY/MM/DD/XX XXはコンタクトのめっきの種類
 "05" : FLASH, "15" : 15μ, "30" : 30μ



Mat'l. code	Surface	Tolerance	Projection	Product family	CODE
---	ISO 1302	ISO 4287	ISO 4289	530F SATA PLUG SLIM LINE	JP
Tr description	ecn	no	dr	date	title
A RELEASED	008-0078	N3	2008-2-28		SLIM LINE SATA 7+6P PLUG SCREW(CIRCLE), R/A SMT
E REVISED	008-0418	N5	2008-10-28		
F ADDED_ITEM	008-0442	N5	2008-11-11	refdr	N.SASAME 2008-4-13
G ADDED_ITEM	008-0488	N5	2008-12-10	refdr	N.SASAME 2008-4-13
H REVISED	008-0087	N5	2008-3-4	refdr	2008-4-13
J REVISED	008-0134	N5	2008-4-13	appd	ZS/2008/04/13
sheet	revision	sheet			
index	sheet				

PRODUCT NO.	CONTACT AREA PLATING	SOLDERING AREA PLATING	HSG BOSS HEIGHT (DIM A)	TAIL WIDTH (DIM B)	TAIL LENGTH (DIM C)	TAIL LENGTH (DIM D)	TAIL LENGTH (DIM E)	TAIL LENGTH (DIM F)
10085303-0001ALF	GOLD FLASH 0.05um[2u"] MIN	1.91um [75u"] MIN. 100% TIN	1.0mm	0.35mm	0.7mm	7.1mm	0.6mm	1.5mm
10085303-0010ALF	GOLD FLASH 0.05um[2u"] MIN	1.91um [75u"] MIN. 100% TIN	1.0mm	0.4mm	1.0mm	7.4mm	0.9mm	1.8mm
10085303-0101ALF	GOLD FLASH 0.05um[2u"] MIN	1.91um [75u"] MIN. 100% TIN	0.7mm	0.35mm	0.7mm	7.1mm	0.6mm	1.5mm
10085303-0110ALF	GOLD FLASH 0.05um[2u"] MIN	1.91um [75u"] MIN. 100% TIN	0.7mm	0.4mm	1.0mm	7.4mm	0.9mm	1.8mm
10085303-1101ALF	GOLD 0.38um[15u"] MIN	1.91um [75u"] MIN. 100% TIN	0.7mm	0.35mm	0.7mm	7.1mm	0.6mm	1.5mm
10085303-2010ALF	GOLD 0.76um[30u"] MIN	1.91um [75u"] MIN. 100% TIN	1.0mm	0.4mm	1.0mm	7.4mm	0.9mm	1.8mm
10085303-2110ALF	GOLD 0.76um[30u"] MIN	1.91um [75u"] MIN. 100% TIN	0.7mm	0.4mm	1.0mm	7.4mm	0.9mm	1.8mm
10085303-2101ALF	GOLD 0.76um[30u"] MIN	1.91um [75u"] MIN. 100% TIN	0.7mm	0.35mm	0.7mm	7.1mm	0.6mm	1.5mm
10085303-3001ALF	GOLD FLASH 0.05um[2u"] MIN	GOLD FLASH 0.05um[2u"] MIN	1.0mm	0.35mm	0.7mm	7.1mm	0.6mm	1.5mm
10085303-3101ALF	GOLD FLASH 0.05um[2u"] MIN	GOLD FLASH 0.05um[2u"] MIN	0.7mm	0.35mm	0.7mm	7.1mm	0.6mm	1.5mm





RECOMMENDED PCB PATTERN LAYOUT

mat'l. code		surface	tolerance	projection	product family	CODE
---		iso 1302	iso 408	1:1	530F SATA PLUG SLIM LINE	JP
itr	description	ecn no	dr	date	title	
A	RELEASED	J08-0078	N.S	2008-2-28	SLIM LINE SATA 7+6P PLUG	
E	REVISED	J08-0416	N.S	2008-10-28	SCREW(CIRCLE), R/A SMT	
F	ADDED_ITEM	J08-0442	N.S	2008-11-18		
D	ADDED_ITEM	J08-0448	N.S	2008-12-18		
H	REVISED	J08-0087	N.S	2008-3-8		
J	REVISED	J08-0134	N.S	2008-4-13		
sheet	revision					
index	sheet					