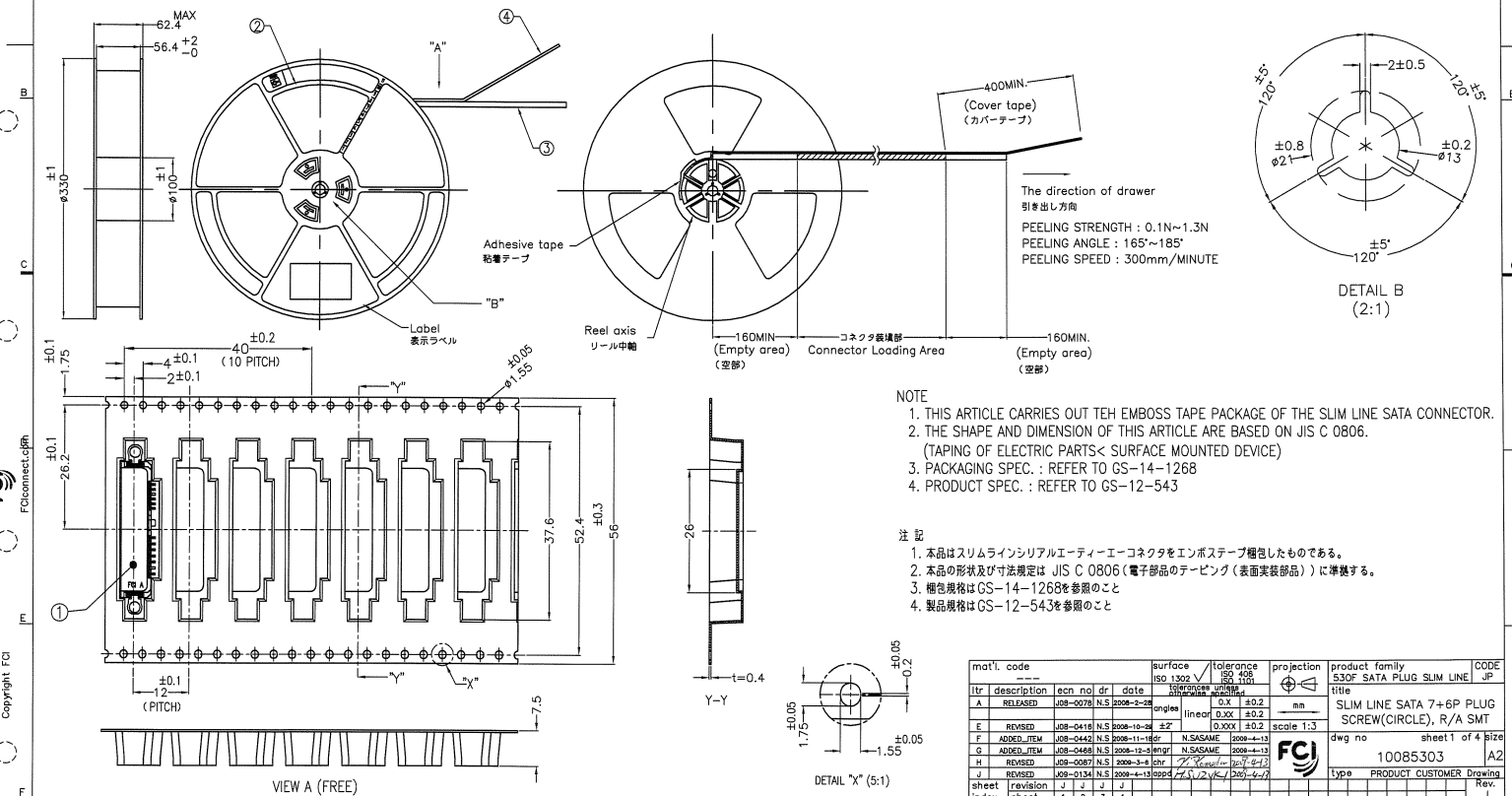


EMBOSS PACKAGE

PRODUCT NO.	① CONNECTOR	QTY
10085303-0001ELF	10085303-0001ALF	600
10085303-0010ELF	10085303-0010ALF	600
10085303-0101ELF	10085303-0101ALF	600
10085303-0110ELF	10085303-0110ALF	600
10085303-1101ELF	10085303-1101ALF	600
10085303-2010ELF	10085303-2010ALF	600
10085303-2110ELF	10085303-2110ALF	600
10085303-2101ELF	10085303-2101ALF	600
10085303-3001ELF	10085303-3001ALF	600
10085303-3101ELF	10085303-3101ALF	600

PARTS TABLE 部品表

No.	PART NAME 部品名	MATERIAL 材質	QTY.	NOTE 備考
①	CONNECTOR コネクタ	SEE SHEET 2	600	
②	THE REEL FOR PACKAGING 巻取用リール	POLYSTYRENE ポリスチレン	1	Color: BLACK or BLUE, ELECTRIFICATION PREVENTION PROCESSING 色:黒または青、帯電防止処理品
③	EMBOSS TAPE エンボスタブ	PET	1	ELECTRIFICATION PREVENTION PROCESSING 帯電防止処理品
④	COVER TAPE カバーテープ	POLYESTER ポリエステル	1	

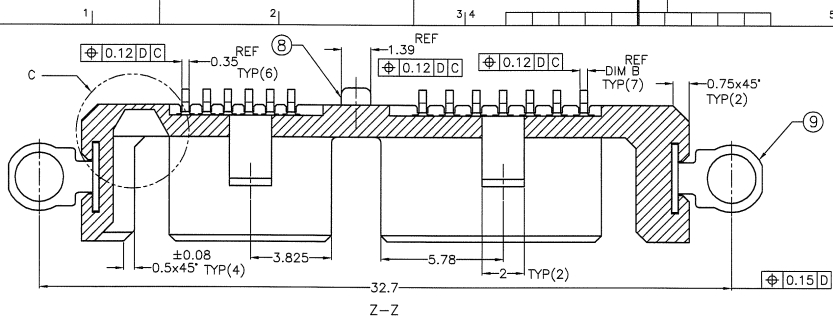


NOTE
 1. THIS ARTICLE CARRIES OUT THE EMBOSS TAPE PACKAGE OF THE SLIM LINE SATA CONNECTOR.
 2. THE SHAPE AND DIMENSION OF THIS ARTICLE ARE BASED ON JIS C 0806.
 (TAPING OF ELECTRIC PARTS< SURFACE MOUNTED DEVICE)
 3. PACKAGING SPEC. : REFER TO GS-14-1268
 4. PRODUCT SPEC. : REFER TO GS-12-543

注記
 1. 本品はスリムラインシリアルインターフェイスコネクタをエンボスタブ梱包したものである。
 2. 本品の形状及び寸法規定は JIS C 0806 (電子部品のテーピング (表面実装部品)) に準拠する。
 3. 梱包規格はGS-14-1268を参照のこと
 4. 製品規格はGS-12-543を参照のこと

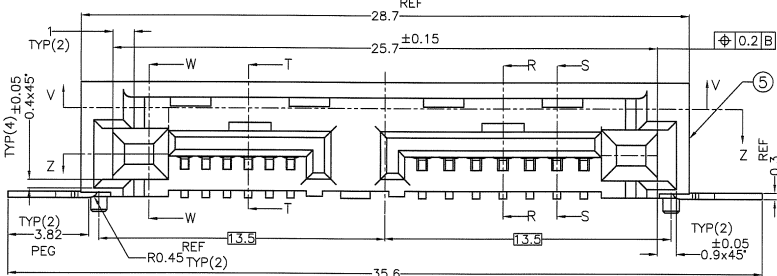
mat'l. code	surface	tolerance	projection	product family	CODE
---	ISO 1302	ISO 4013	\oplus	530F SATA PLUG SLIM LINE	JP
itr description	ecn no	dr	date	title	
A RELEASED	108-0078	N3	2008-02-28	SLIM LINE SATA 7+6P PLUG SCREW(CIRCLE), R/A SMT	
E REVISED	108-0418	N.S	2008-10-28		
F ADDED_ITEM	108-0442	N.S	2008-11-18		
G ADDED_ITEM	108-0448	N.S	2008-12-04		
H I REVISED	108-0081	N.S	2008-04-04		
J REVISED	108-0134	N.S	2008-04-13		
sheet revision	J	J	J	J	J
index sheet	1	2	3	4	

CONNECTOR ASSY



PARTS TABLE 部品表

No.	Part name 部品名	QTY.	Note 備考
⑤	HOUSING ハウジング	1	HIGH TEMP THERMOPLASTIC COLOR : BLACK, UL94V-0
⑥	SIGNAL CONTACT シグナルコンタクト	7	COPPER ALLOY CONTACT AREA : Au SOLDERING AREA : Au or TIN
⑦	POWER CONTACT パワーコンタクト	6	COPPER ALLOY CONTACT AREA : Au SOLDERING AREA : Au or TIN
⑧	SOLDER PEG (CENTER) 溶り金 (中央部)	1	COPPER ALLOY TIN PLATING
⑨	SOLDER PEG (L&R) 溶り金 (左・右)	2	COPPER ALLOY TIN PLATING

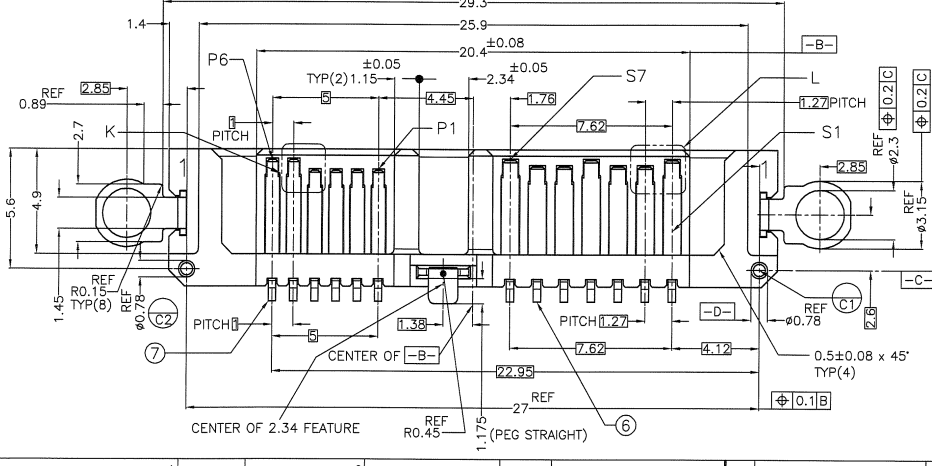
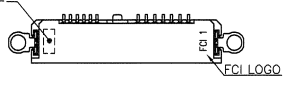


<P/N composition> <P/N構成>

- 10085303 - X X X X X X L F
- LEAD-FREE
 - PACKAGE SPEC
 - E : TAPE AND REEL (EMBOSS ASSY)
 - T : TRAY (TRAY ASSY)
 - A : CONNECTOR ASSY (NOT PACKAGE)
 - CONTACT TAIL LENGTH (DIM C)
 - 0 : 1.0mm
 - 1 : 0.7mm
 - SIGNAL CONTACT TAIL WIDTH (DIM B)
 - 0 : 0.35mm
 - 1 : 0.40mm
 - HSG BOSS LENGTH (DIM A)
 - 0 : 1.0mm
 - 1 : 0.7mm
 - CONTACT PLATING (CONTACT AREA / SOLDERING AREA)
 - 0 : GOLD FLASH (0.05µm) / TIN PLATING
 - 1 : 0.38µm GOLD PLATING / TIN PLATING
 - 2 : 0.76µm GOLD PLATING / TIN PLATING
 - 3 : GOLD FLASH (0.05µm) / GOLD FLASH (0.05µm)
 - 4 : 0.76µm GOLD PLATING / GOLD FLASH (0.05µm)

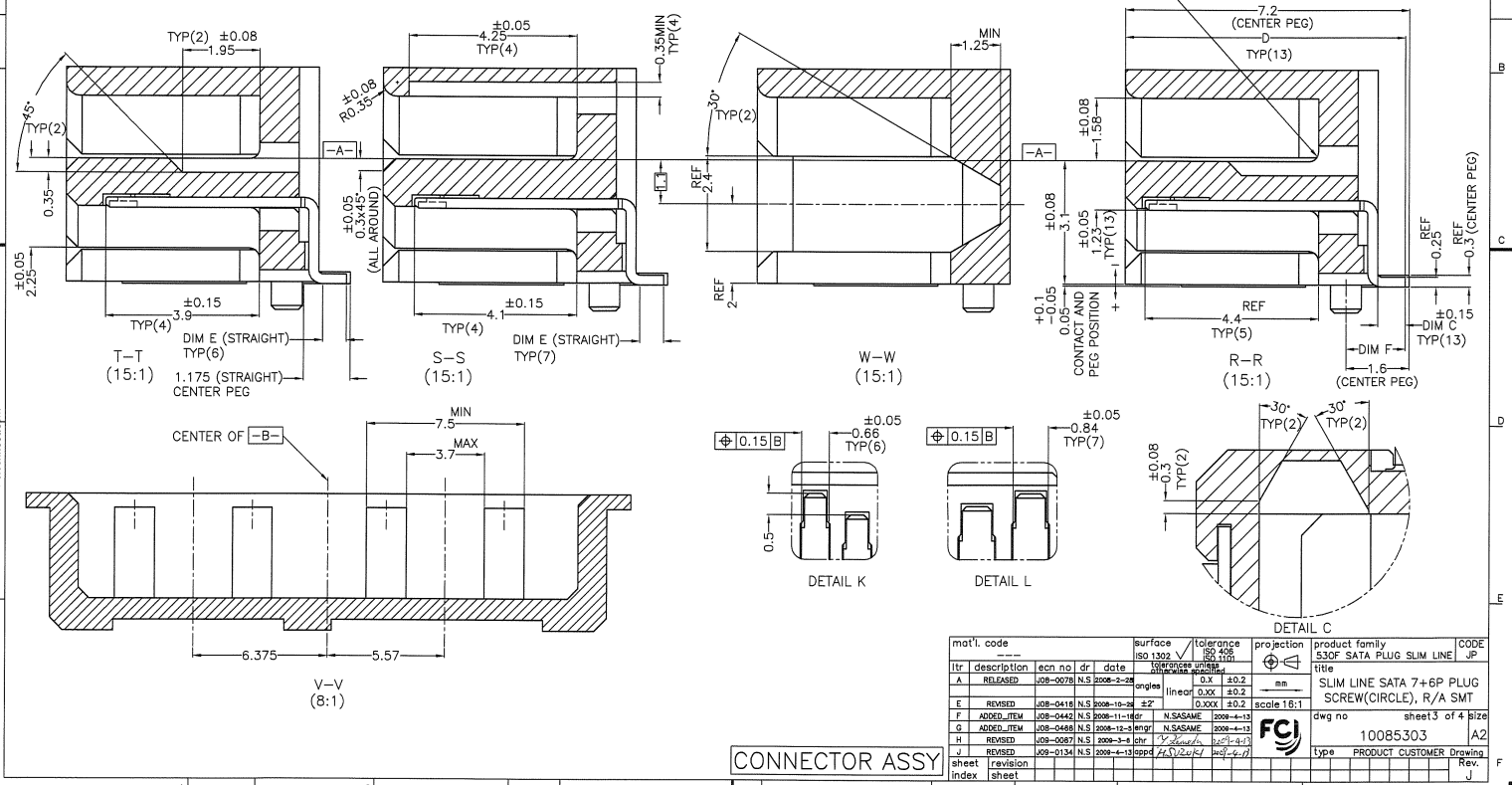
NOTE

- MATERIAL : SEE TABLE
 - FINISH : SEE TABLE AND P/N COMPOSITION TABLE
 - COPLANARITY : 0.1 MAX. (CONTACT AND SOLDER PEG)
 - DATE CODE MARK : YY/MM/DD/XX XX IS USED TO MARK CONTACT PLATING SPEC.
"05" : FLASH, "15" : 15µ, "30" : 30µ
- 注記
- 材料 : 表参照
 - めっき : 表及び型番構成参照
 - コプラナリティ : 0.1以下 (端子・金具)
 - デットコード刻印 : YY/MM/DD/XX XXはコンタクトのめっきの種類
"05" : FLASH, "15" : 15µ, "30" : 30µ



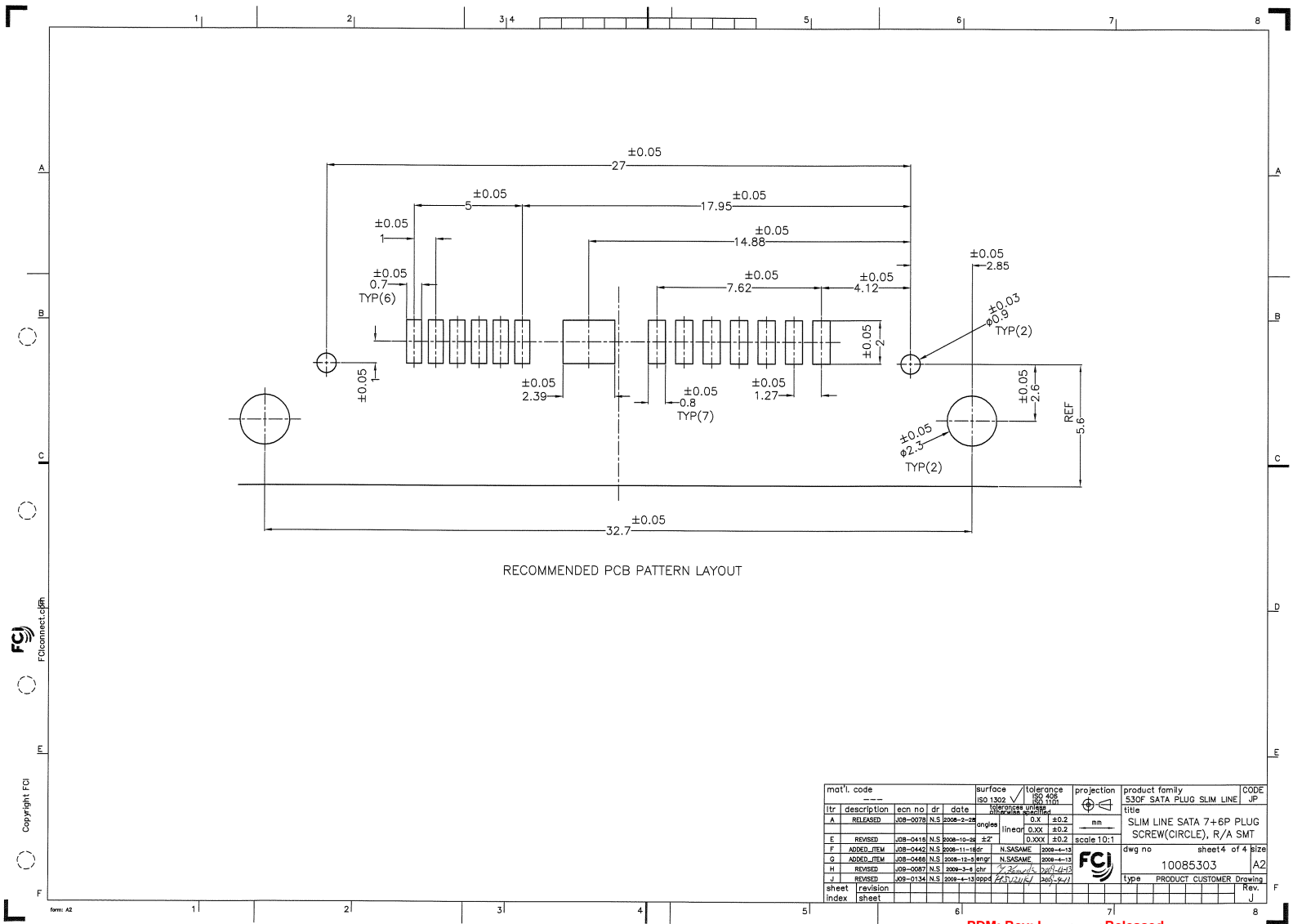
Mat'l. code	Surface	Tolerance	Projection	Product family	Code
---	ISO 1302	ISO 4287	ISO 10643	530F SATA PLUG SLIM LINE	JP
Tr description	ecn	no	dr	date	title
A RELEASED	008-0078	N3	2008-2-28		SLIM LINE SATA 7+6P PLUG SCREW(CIRCLE), R/A SMT
E REVISED	008-0418	N5	2008-10-28		
F ADDED_ITEM	008-0442	N5	2008-11-11	refdr	N.SASAME 2008-4-13
G ADDED_ITEM	008-0488	N5	2008-12-18	refdr	N.SASAME 2008-4-13
H REVISED	008-0087	N5	2008-3-4	refdr	2008-3-4
J REVISED	008-0134	N5	2008-4-13	appd	ZS/2008/04/13
sheet	revision	sheet			
index	sheet				

PRODUCT NO.	CONTACT AREA PLATING	SOLDERING AREA PLATING	HSG BOSS HEIGHT (DIM A)	TAIL WIDTH (DIM B)	TAIL LENGTH (DIM C)	TAIL LENGTH (DIM D)	TAIL LENGTH (DIM E)	TAIL LENGTH (DIM F)
10085303-0001ALF	GOLD FLASH 0.05um[2u"] MIN	1.91um [75u"] MIN. 100% TIN	1.0mm	0.35mm	0.7mm	7.1mm	0.6mm	1.5mm
10085303-0010ALF	GOLD FLASH 0.05um[2u"] MIN	1.91um [75u"] MIN. 100% TIN	1.0mm	0.4mm	1.0mm	7.4mm	0.9mm	1.8mm
10085303-0101ALF	GOLD FLASH 0.05um[2u"] MIN	1.91um [75u"] MIN. 100% TIN	0.7mm	0.35mm	0.7mm	7.1mm	0.6mm	1.5mm
10085303-0110ALF	GOLD FLASH 0.05um[2u"] MIN	1.91um [75u"] MIN. 100% TIN	0.7mm	0.4mm	1.0mm	7.4mm	0.9mm	1.8mm
10085303-1101ALF	GOLD 0.38um[15u"] MIN	1.91um [75u"] MIN. 100% TIN	0.7mm	0.35mm	0.7mm	7.1mm	0.6mm	1.5mm
10085303-2010ALF	GOLD 0.76um[30u"] MIN	1.91um [75u"] MIN. 100% TIN	1.0mm	0.4mm	1.0mm	7.4mm	0.9mm	1.8mm
10085303-2110ALF	GOLD 0.76um[30u"] MIN	1.91um [75u"] MIN. 100% TIN	0.7mm	0.4mm	1.0mm	7.4mm	0.9mm	1.8mm
10085303-2101ALF	GOLD 0.76um[30u"] MIN	1.91um [75u"] MIN. 100% TIN	0.7mm	0.35mm	0.7mm	7.1mm	0.6mm	1.5mm
10085303-3001ALF	GOLD FLASH 0.05um[2u"] MIN	GOLD FLASH 0.05um[2u"] MIN	1.0mm	0.35mm	0.7mm	7.1mm	0.6mm	1.5mm
10085303-3101ALF	GOLD FLASH 0.05um[2u"] MIN	GOLD FLASH 0.05um[2u"] MIN	0.7mm	0.35mm	0.7mm	7.1mm	0.6mm	1.5mm



itr	description	ecn no	dr	date	surface	tolerance	projection	product family	CODE
A	RELEASED	008-0078	N.S	2008-2-28	ISO 1302	ISO 4068	mm	530F SATA PLUG SLIM LINE	JP
E	REVISED	008-0416	N.S	2008-10-28	linear	0.0X	mm	SLIM LINE SATA 7+6P PLUG SCREW(CIRCLE), R/A SMT	
F	ADDED_ITEM	008-0442	N.S	2008-11-18	linear	0.0X	mm	SLIM LINE SATA 7+6P PLUG SCREW(CIRCLE), R/A SMT	
G	ADDED_ITEM	008-0448	N.S	2008-12-24	linear	0.0X	mm	SLIM LINE SATA 7+6P PLUG SCREW(CIRCLE), R/A SMT	
H	REVISED	008-0507	N.S	2009-3-4	linear	0.0X	mm	SLIM LINE SATA 7+6P PLUG SCREW(CIRCLE), R/A SMT	
J	REVISED	008-0134	N.S	2008-4-13	linear	0.0X	mm	SLIM LINE SATA 7+6P PLUG SCREW(CIRCLE), R/A SMT	

CONNECTOR ASSY



RECOMMENDED PCB PATTERN LAYOUT

mat'l. code		surface	tolerance	projection	product family	CODE
---		iso 1302	iso 4025	ASME Y14.5	530F SATA PLUG SLIM LINE	JP
ltr	description	ecn no	dr	date	title	
A	RELEASED	J08-0078	N.S	2008-2-28	SLIM LINE SATA 7+6P PLUG	
E	REVISED	J08-0416	N.S	2008-10-28	SCREW(CIRCLE), R/A SMT	
F	ADDED_ITEM	J08-0442	N.S	2008-11-18		
D	ADDED_ITEM	J08-0448	N.S	2008-12-18		
H	REVISED	J08-0087	N.S	2008-3-8		
J	REVISED	J08-0134	N.S	2008-4-13		
sheet	revision					Rev.
index	sheet					J