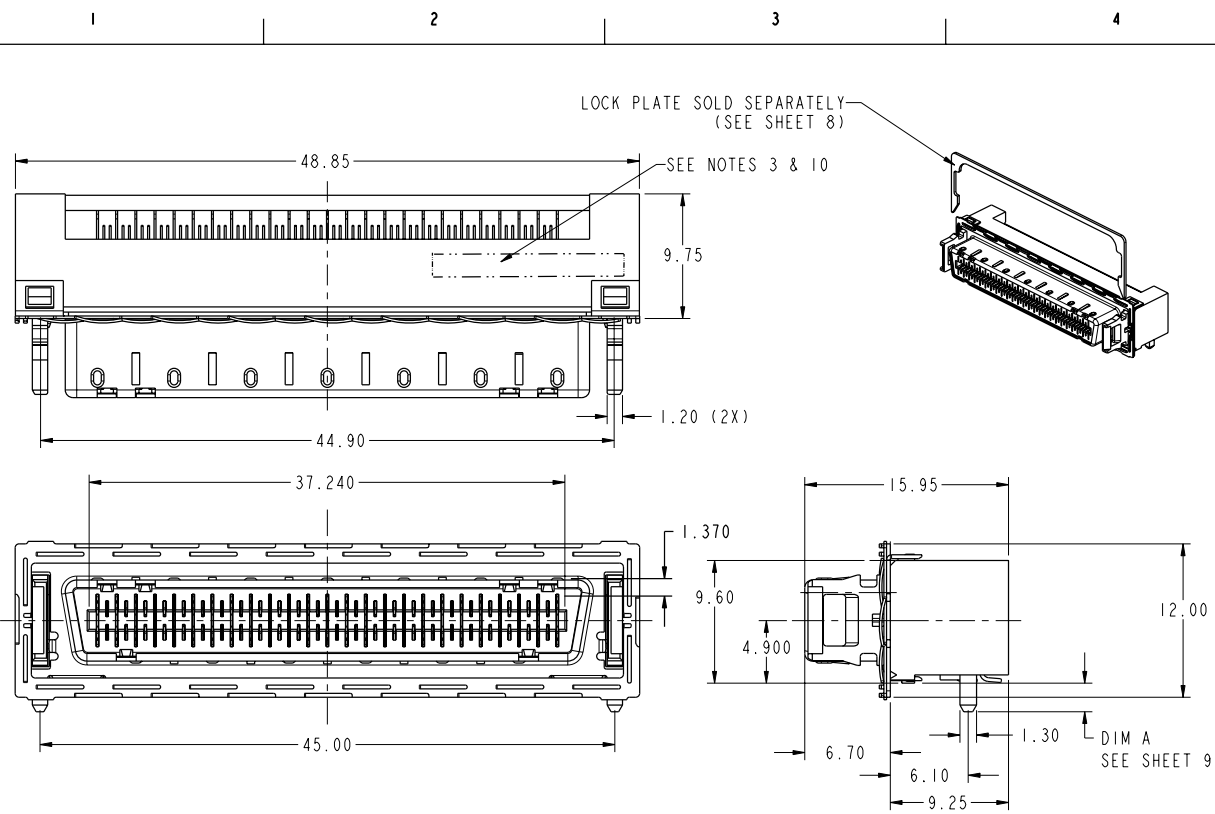




Copyright FCI.



www.fciconnect.com				surface	tolerance std	projection	MM
				ASME Y14.5	ASME Y14.5		
				TOLERANCES UNLESS OTHERWISE SPECIFIED			
Dr	R. DRAGGOO	2002-01-23	ANGULAR	0.X	±.30	size	A4
Eng	S. OLSON	2001-09-11	LINEAR	0.XX	±.10	Scale	1:1
Chr	HIRAN V N	2006-07-26	0° ±°	0.XXX	±.050	ECN	106-0123
Appr	HIRAN V N	2006-07-26	Product family	InfiniBand		Spec ref	-
rev	ecn no	dr	date			part no	58366
C	V21225	SCS	2002-07-23			CUSTOMER	sheet 1 of 9
D	V21720	SIP	2002-11-04				
E	V21864	DP	2002-12-12				
F	V03-0087	SIP	2003-03-12				
G	V04-0460	DAI	2004-06-04				
H	V05-0063	TAB	2005-02-11				
J	106-0123	HVN	2006-07-26				

REV F - 2006-04-17



Copyright FCI.

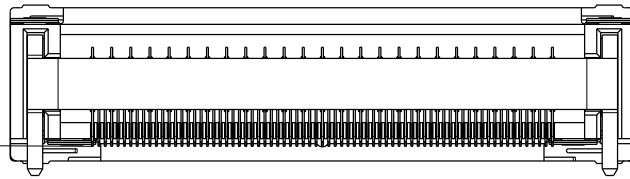
1 2 3 4

A

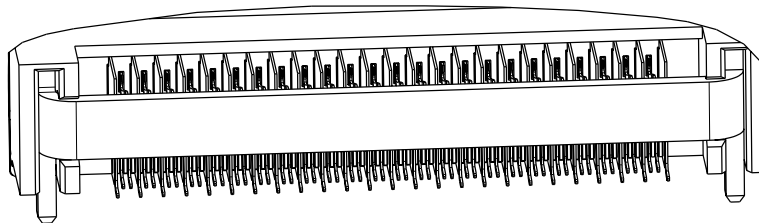
B

D

0.13 D



COPLANARITY MEASUREMENT TO BE TAKEN AT BOTTOM MOST POINT ON CONTACT TAILS  
COPLANARITY ZONE IS BELOW DATUM D



SCALE 3:1

www.fciconnect.com			surface	ASME Y14.5	tolerance std	ASME Y14.5	projection	MM
			TOLERANCES UNLESS OTHERWISE SPECIFIED				size	A4
Dr	R. DRAGGOO	2002-01-23	ANGULAR	0.X	±.30	Scale		1:1
Eng	S. OLSON	2001-09-11	LINEAR	0.XX	±.10	ECN		106-0123
Chr	HIRAN V N	2006-07-26	0° ±2°	0.XXX	±.050	Product family		InfiniBand
Appr	HIRAN V N	2006-07-26	Product family		InfiniBand	Spec ref		-
FCI			12X R.A. RECEPT. ASS'Y			part no	58366	
w/o MOUNTING TABS			catalog no			CUSTOMER		sheet 2 of 9

REV 1 - 2006-06-17

1 2 3 4

A

B

C

D

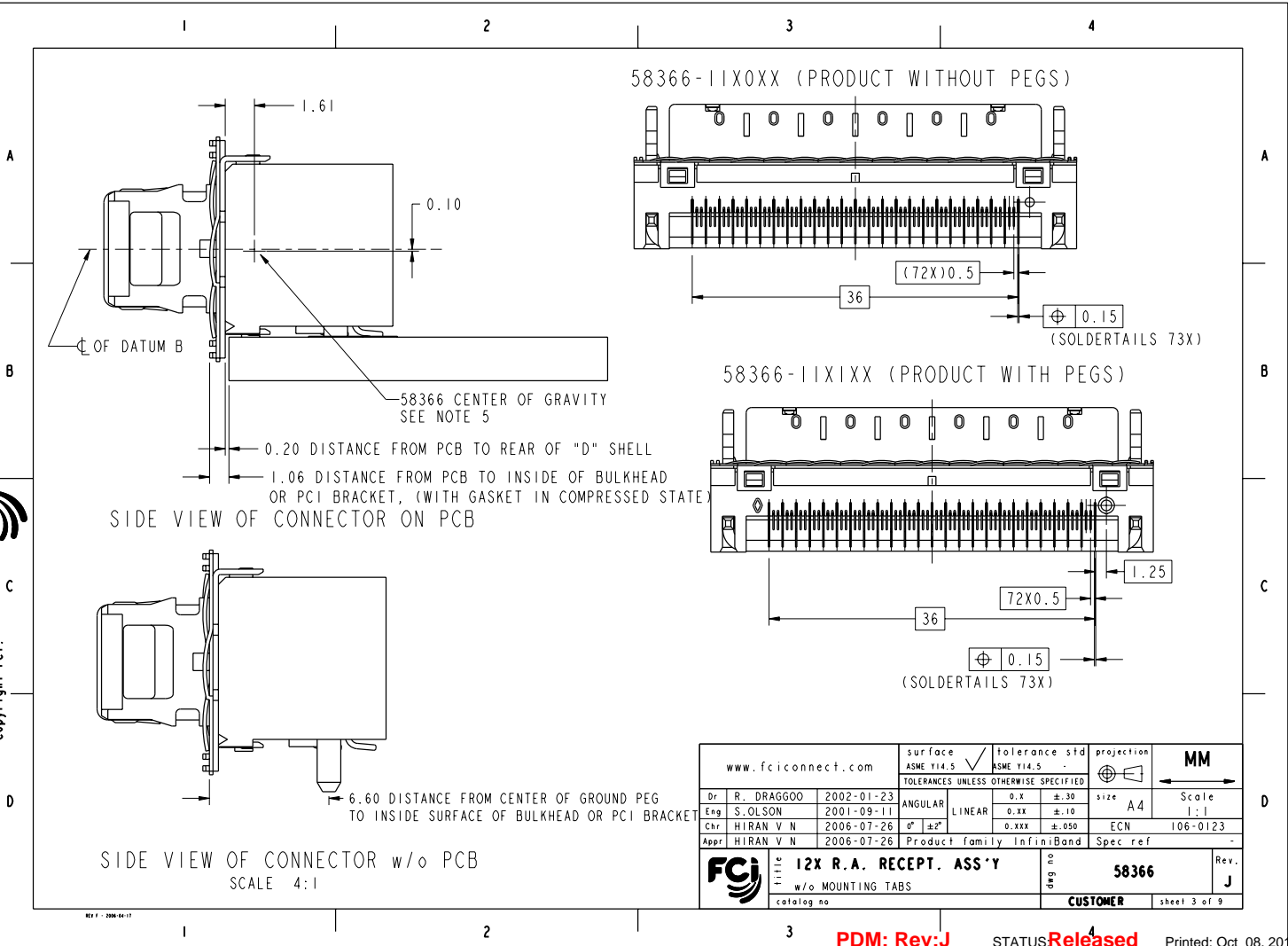
PDM: Rev:J

STATUS Released

Printed: Oct 08, 2010



Copyright FCI.

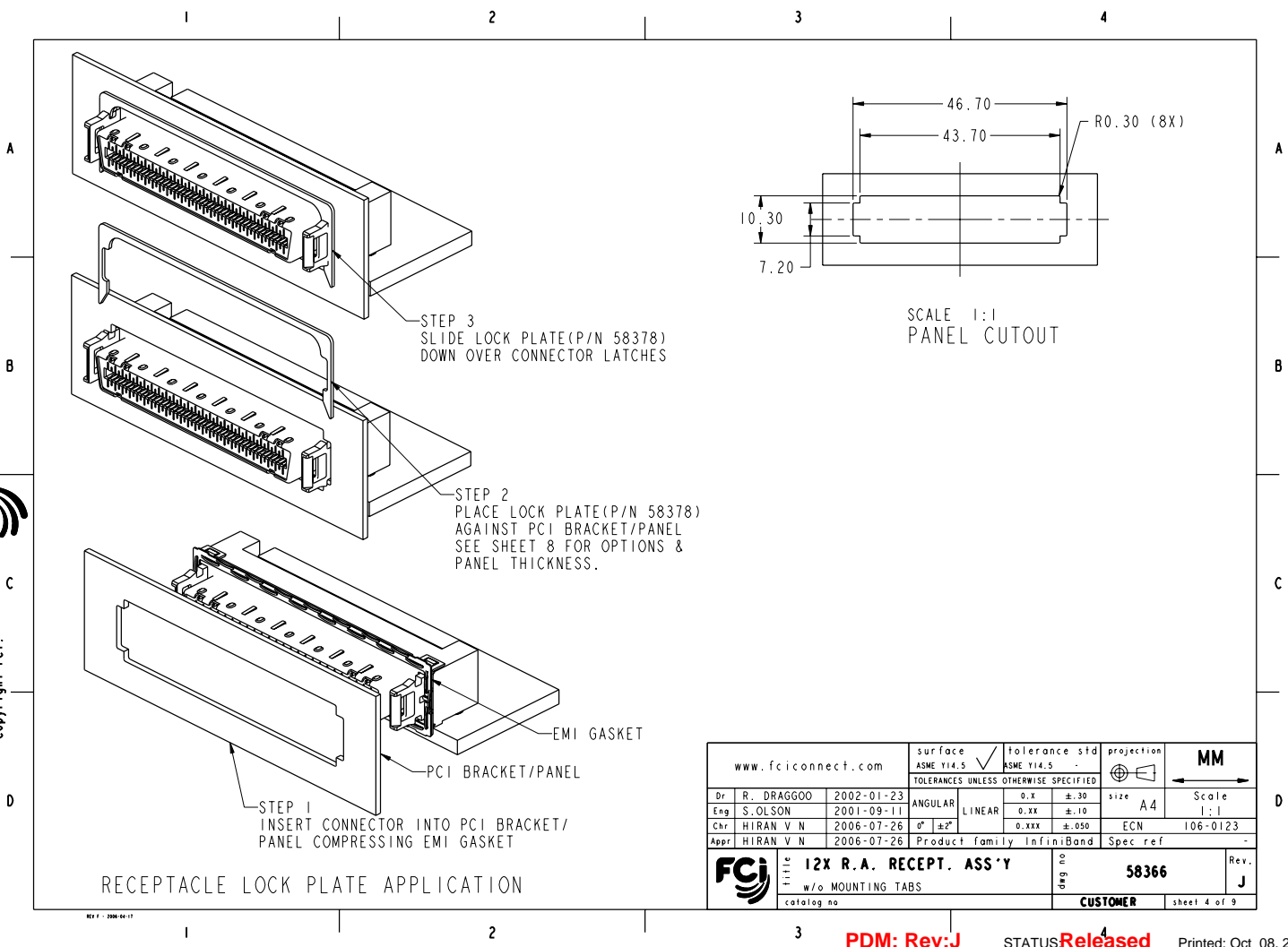


REV 1 - 2006-07-26

www.fciconnect.com			surface	ASME Y14.5	tolerance std	ASME Y14.5	projection	MM
TOLERANCES UNLESS OTHERWISE SPECIFIED			ANGULAR		0.X	±.30	size	A4
Dr R. DRAGG00 2002-01-23			LINEAR		0.XX	±.10	Scale	1:1
Eng S. OLSON 2001-09-11			0" ±"		0.XXX	±.050	ECN	106-0123
Chr HIRAN V N 2006-07-26			Product family		InfiniBand		Spec ref	-
Appr HIRAN V N 2006-07-26			12X R.A. RECEPT. ASS'Y		58366		Rev.	J
w/o MOUNTING TABS			catalog no		CUSTOMER		sheet 3 of 9	



Copyright FCI.



www.fciconnect.com			surface	ASME Y14.5	tolerance std	ASME Y14.5	projection	MM
			TOLERANCES UNLESS OTHERWISE SPECIFIED				size	A4
Dr	R. DRAGG	2002-01-23	ANGULAR	0.X	±.30	Scale		1:1
Eng	S. OLSON	2001-09-11	LINEAR	0.XX	±.10	ECN		106-0123
Chr	HIRAN V N	2006-07-26	0° ±2°	0.XXX	±.050	Product family		InfiniBand
Appr	HIRAN V N	2006-07-26	Spec ref					
FCI			12X R.A. RECEPT. ASS'Y			58366		Rev. J
			w/o MOUNTING TABS			CUSTOMER		sheet 4 of 9
catalog no								

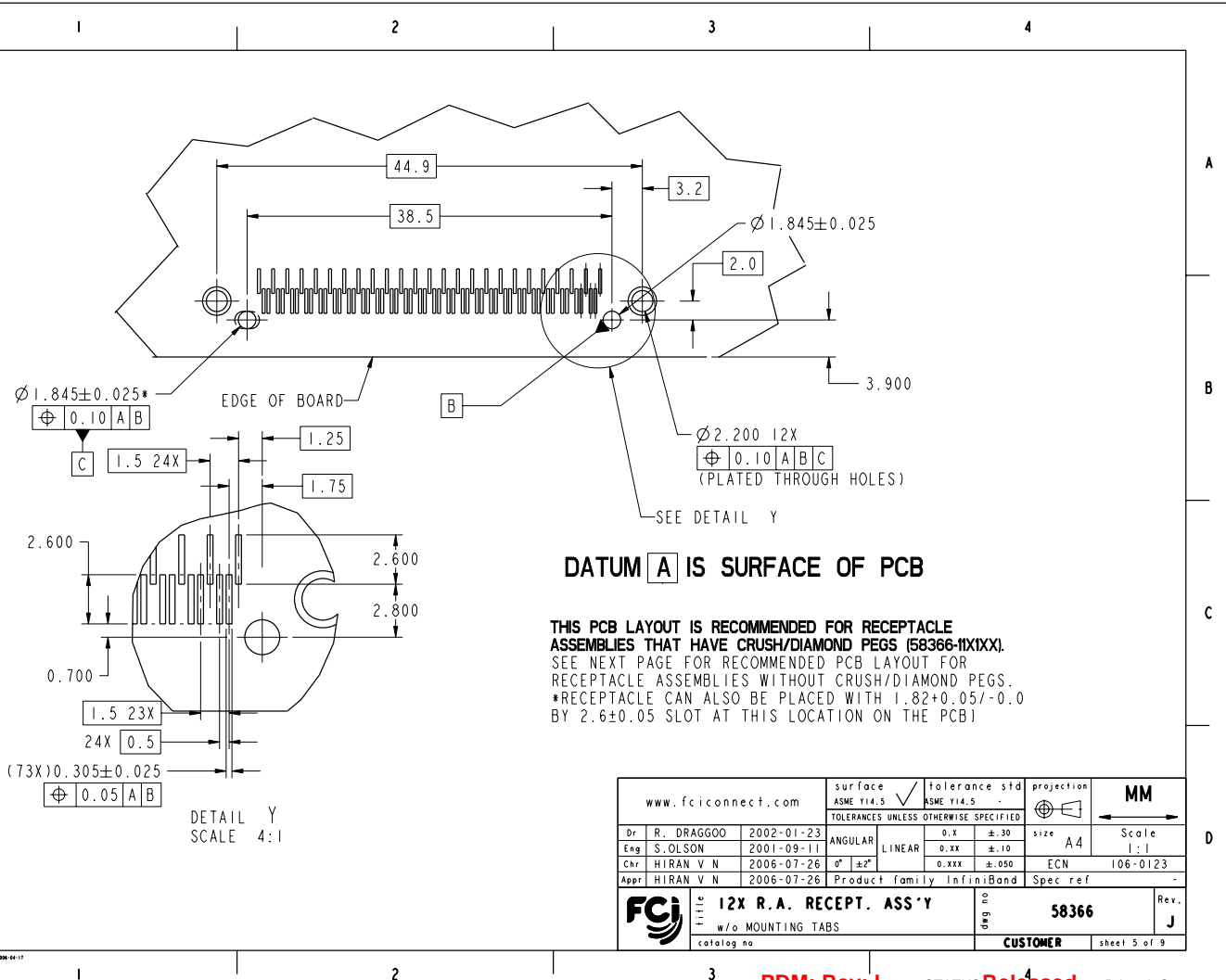
PDM: Rev:J

STATUS Released

Printed: Oct 08, 2010



Copyright FCI.



DATUM A IS SURFACE OF PCB

THIS PCB LAYOUT IS RECOMMENDED FOR RECEPTACLE ASSEMBLIES THAT HAVE CRUSH/DIAMOND PEGS (58366-11X1XX). SEE NEXT PAGE FOR RECOMMENDED PCB LAYOUT FOR RECEPTACLE ASSEMBLIES WITHOUT CRUSH/DIAMOND PEGS. \*RECEPTACLE CAN ALSO BE PLACED WITH 1.82+0.05/-0.0 BY 2.6±0.05 SLOT AT THIS LOCATION ON THE PCB)

www.fciconnect.com			surface <input checked="" type="checkbox"/> ASME Y14.5	tolerance std <input checked="" type="checkbox"/> ASME Y14.5	projection	MM
TOLERANCES UNLESS OTHERWISE SPECIFIED			ANGULAR	LINEAR	size A4	Scale 1:1
Dr	R. DRAGGOO	2002-01-23	0.X	±.30	ECN	106-0123
Eng	S. OLSON	2001-09-11	0.XX	±.10	Spec ref	-
Chr	HIRAN V N	2006-07-26	0.XXX	±.050	Product family	InfiniBand
Appr	HIRAN V N	2006-07-26	Product family		InfiniBand	Spec ref
FCI 12X R.A. RECEPT. ASS'Y			w/o MOUNTING TABS		part no 58366	Rev. J
catalog no			CUSTOMER		sheet 5 of 9	

REV F - 2006-04-17

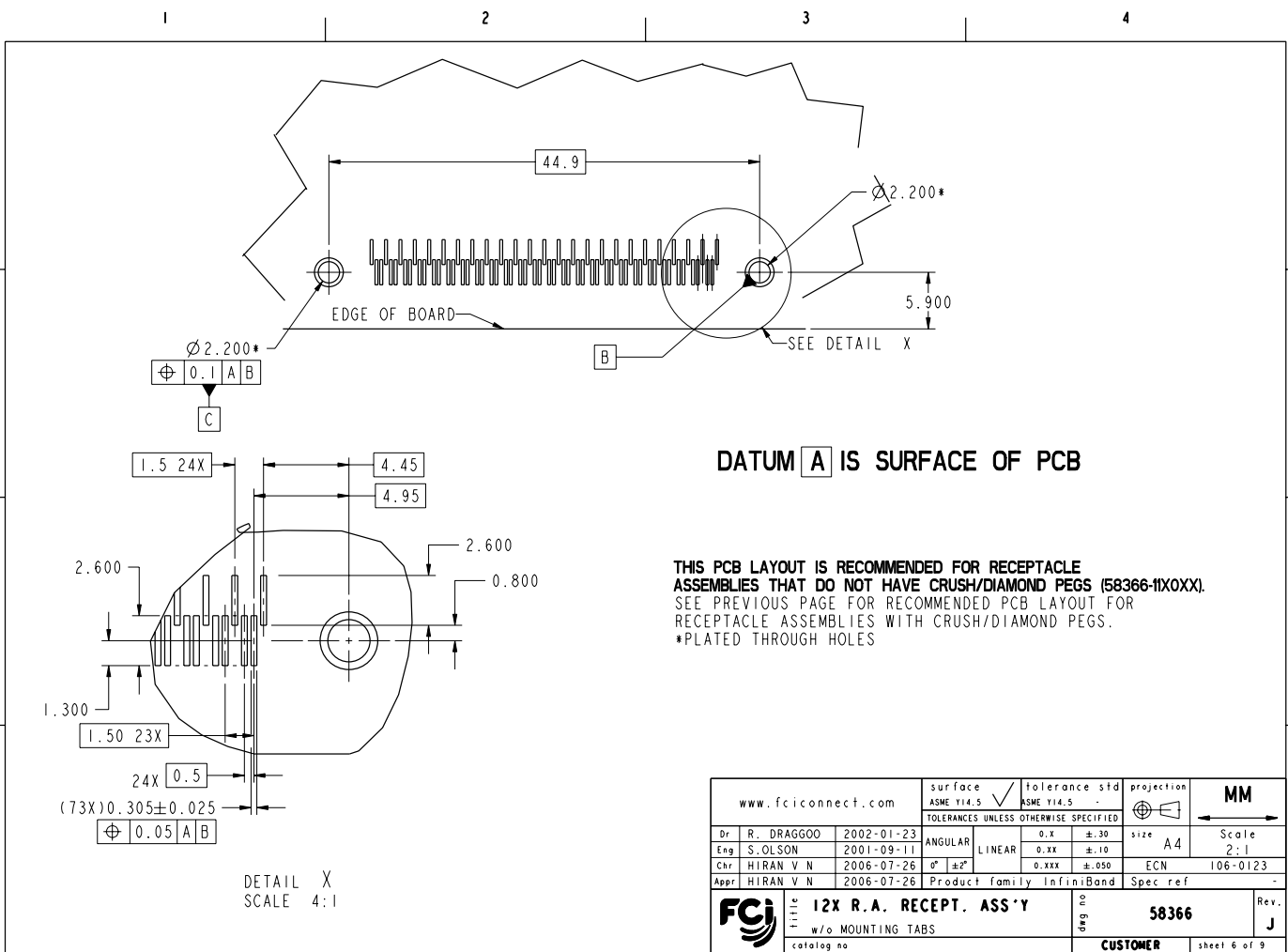
PDM: Rev:J

STATUS Released

Printed: Oct 08, 2010



Copyright FCI.



DATUM **A** IS SURFACE OF PCB

THIS PCB LAYOUT IS RECOMMENDED FOR RECEPTACLE ASSEMBLIES THAT DO NOT HAVE CRUSH/DIAMOND PEGS (58366-11X0XX). SEE PREVIOUS PAGE FOR RECOMMENDED PCB LAYOUT FOR RECEPTACLE ASSEMBLIES WITH CRUSH/DIAMOND PEGS.  
 \*PLATED THROUGH HOLES

DETAIL X  
SCALE 4:1

www.fciconnect.com		surface	ASME Y14.5	tolerance std	ASME Y14.5	projection	MM
		TOLERANCES UNLESS OTHERWISE SPECIFIED				size	A4
Dr	R. DRAGGOO	2002-01-23	ANGULAR	0.X	±.30	Scale	2:1
Eng	S. OLSON	2001-09-11	LINEAR	0.XX	±.10	ECN	106-0123
Chr	HIRAN V N	2006-07-26	0° ±2°	0.XXX	±.050	Product family	InfiniBand
Appr	HIRAN V N	2006-07-26				Spec ref	-
FCI		12X R.A. RECEPT. ASS'Y		58366		Rev. J	
w/o MOUNTING TABS		catalog no		CUSTOMER		sheet 6 of 9	

REV 7 - 2006-06-17

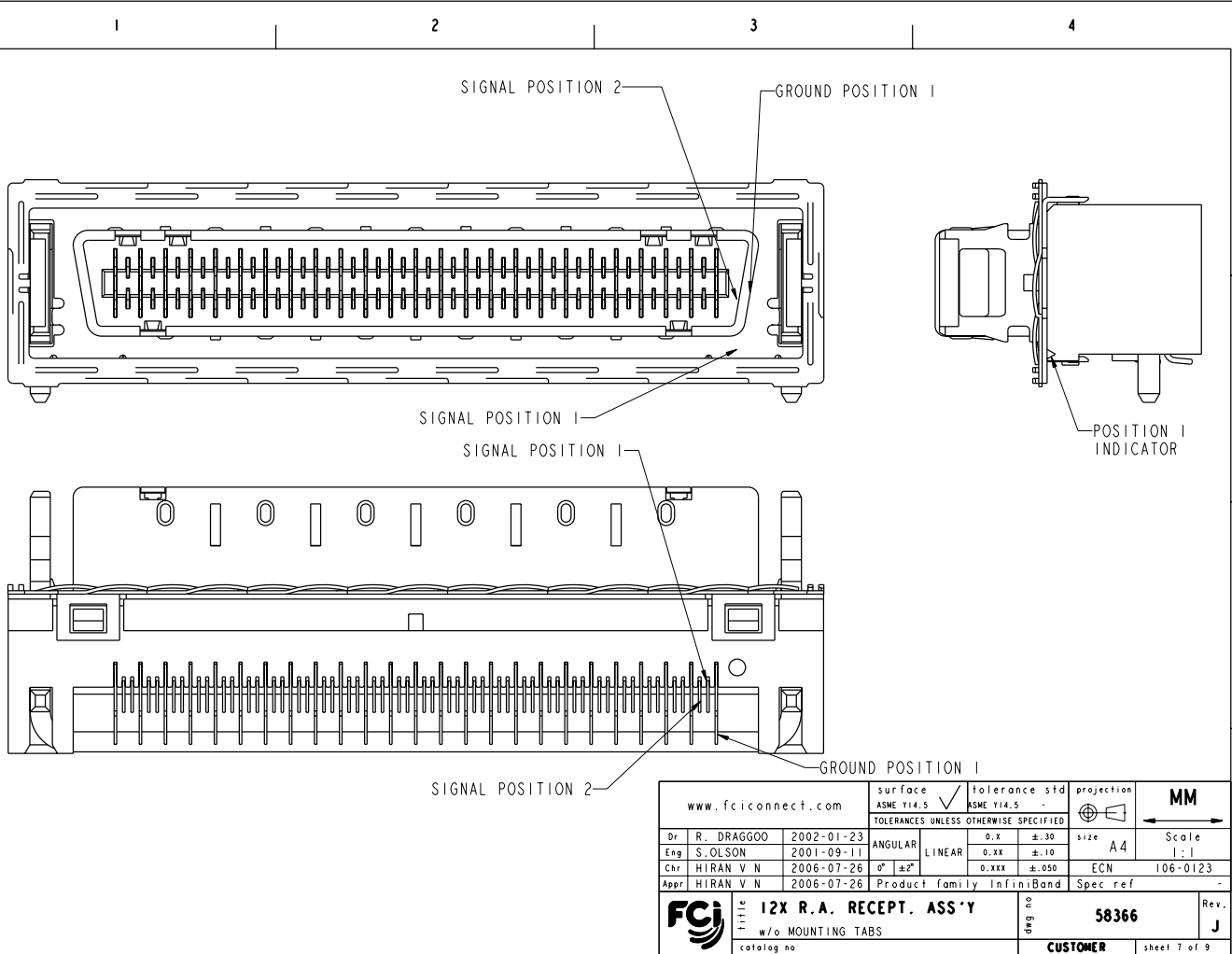
PDM: Rev:J

STATUS Released

Printed: Oct 08, 2010



Copyright FCI.



www.fciconnect.com			surface	ASME Y14.5	✓	Tolerance std	ASME Y14.5	projection	MM
TOLERANCES UNLESS OTHERWISE SPECIFIED			ANGULAR		LINEAR	0.X	±.30	size	A4
Dr	R. DRAGG	2002-01-23	0.XX		±.10	Scale		1:1	
Eng	S. OLSON	2001-09-11	0.XXX		±.050	ECN	106-0123		
Chr	HIRAN V N	2006-07-26	Product family		InfiniBand	Spec ref	-		
Appr	HIRAN V N	2006-07-26	Part no		58366	Rev.	J		
FCI			12X R.A. RECEPT. ASS'Y		CUSTOMER		sheet 7 of 9		
w/o MOUNTING TABS			catalog no						

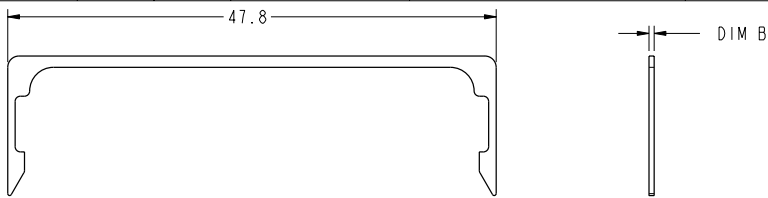
REV F - 2006-04-17

PDM: Rev:J

STATUS Released

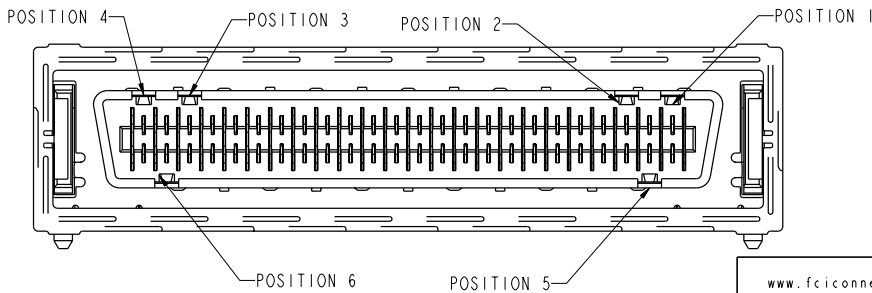
Printed: Oct 08, 2010

LOCK PLATE PART NUMBER	DIM B	SIZE	USED WITH		QTY PER BAG
			ASSEMBLY	PANEL THICKNESS	
58378-004	0.50	12X	58366	1.00±0.03mm/0.040±.001"	100
58378-014	0.30	12X	58366	1.20±0.03mm/0.047±.001"	100
58378-024	0.60	12X	58366	0.91±0.03mm/0.0359±.001" (20 GAGE PCI BRKT)	100



THESE PANEL LOCK PLATES ARE TO BE ORDERED SEPARATELY

KEYING POSITIONS						
PART NUMBER	POSITION 1	POSITION 2	POSITION 3	POSITION 4	POSITION 5	POSITION 6
58366-11XXX2		X				X



www.fciconnect.com			surface ASME Y14.5	tolerance std ASME Y14.5	projection MM
TOLERANCES UNLESS OTHERWISE SPECIFIED			ANGULAR	LINEAR	size A4
Dr	R. DRAGGOO	2002-01-23	0.X	±.30	Scale 1:1
Eng	S. OLSON	2001-09-11	0.XX	±.10	ECN 106-0123
Chr	HIRAN V N	2006-07-26	0" ±"	0.XXX ±.050	Product family InfiniBand
Appr	HIRAN V N	2006-07-26	Product family InfiniBand		Spec ref -
FCI 12X R.A. RECEPT. ASS'Y w/o MOUNTING TABS			58366		Rev. J
catalog no			CUSTOMER		sheet 8 of 9

REV F - 2006-04-17

PDM: Rev:J

STATUS Released

Printed: Oct 08, 2010



Copyright FCI.





Copyright FCI.

58366-1XXXXYY

- SOLDERTAIL PLATING  
BLANK-TIN/LEAD  
LF-LEAD FREE (SEE NOTE 2)
- KEYING OPTIONS, SEE SHEET 8  
0-NONE  
2-CUSTOM
- PACKAGING  
1-TAPE & REEL  
2-TRAY
- PEGS  
0-NONE  
1-CRUSH/DIAMOND PEGS
- PCB THICKNESS  
1-1.6mm  
2-2.4mm  
3-4.0mm
- EMI GASKET  
1-WITH GASKET
- INTERFACE PLATING  
1-Au over Ni

NOTES:

- ① HOUSING MATERIAL: UL94 V-0 LCP RESIN.  
SIGNAL PIN MATERIAL: COPPER ALLOY.  
GROUND CONTACT MATERIAL: COPPER ALLOY.
- ② PLATING: LEAD FREE SOLDER TAILS 2μm (80μin) MIN MATTE TIN  
OVER 1.27μm (50μin) MIN NICKEL UNDERPLATE.
- ③ P/N AND DATE CODE TO  
APPEAR ON THIS SURFACE.
4. PRODUCT SPECIFICATION GS-12-209.
5. CONNECTOR WEIGHT = 11.68 grams
6. APPLICATION SPECIFICATION: GS-20-025
7. PACKAGING SPECIFICATION GS-14-794. PACKAGING OF LEAD FREE  
PRODUCTS MEETS LABELING AND PACKAGING SPECIFICATION GS-14-920.
8. ALL DIMENSIONS ON PCB'S ARE BASIC UNLESS OTHERWISE  
SPECIFIED.
9. ALL HOLE DIAMETERS ON PCB'S ARE FINISHED HOLE SIZE
- ⑩ AREA ON TOP OF CONNECTOR IS FLAT & SMOOTH AND  
CAN BE USED FOR VACUUM PICK & PLACE
11. MATES WITH EYEMAX® PLUG 58443 (WITHOUT PCB), 58638  
(WITH UNEQUALIZED PCB) OR 10026694 (WITH EQUALIZED PCB).
12. LEAD FREE PRODUCTS MEET EUROPEAN UNION DIRECTIVES AND  
OTHER COUNTRY REGULATIONS AS DESCRIBED IN GS-22-008.
13. THE HOUSING WILL WITHSTAND EXPOSURE TO 260°C PEAK TEMPERATURE FOR  
15 SECONDS IN A CONVECTION, INFRARED OR VAPOR PHASE REFLOW OVEN.

PRODUCT NUMBER	BOARD THICKNESS	DIM A
58366-111XXX	1.6mm	2.3mm
58366-112XXX	2.4mm	3.1mm
58366-113XXX	4.0mm	4.7mm

www.fciconnect.com			surface ASME Y14.5	tolerance std ASME Y14.5	projection MM
TOLERANCES UNLESS OTHERWISE SPECIFIED			ANGULAR	LINEAR	size A4
Dr	R. DRAGG00	2002-01-23	0.X	±.30	Scale 1:1
Eng	S. OLSON	2001-09-11	0.XX	±.10	
Chr	HIRAN V N	2006-07-26	0'.XXX	±.050	ECN 106-0123
Appr	HIRAN V N	2006-07-26	Product family InfiniBand		Spec ref -
FCI 12X R.A. RECEPT. ASS'Y			58366		Rev. J
w/o MOUNTING TABS			CUSTOMER		sheet 9 of 9

REV F - 2006-04-17

PDM: Rev:J

STATUS Released

Printed: Oct 08, 2010