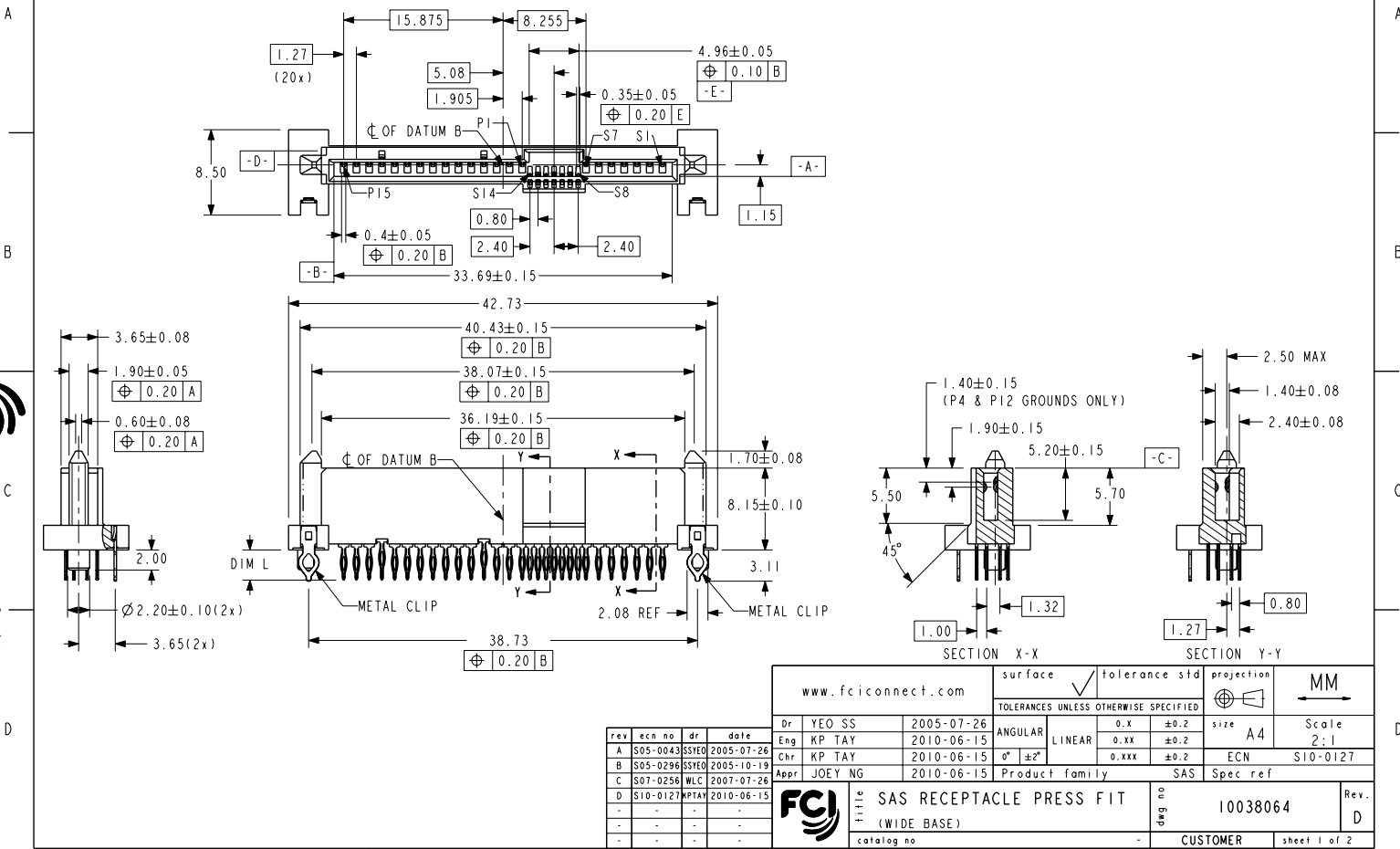


PRODUCT NO	DIM L	RECOMMENDED P.C. BOARD THICKNESS	METAL CLIP
10038064-001LF	2.70	1.40mm (0.055")/2.36mm (0.093")	YES
10038064-002LF	3.60	2.36mm (0.093")	
10038064-003LF	2.70	1.40mm (0.055")/2.36mm (0.093")	NO
10038064-004LF	3.60	2.36mm (0.093")	

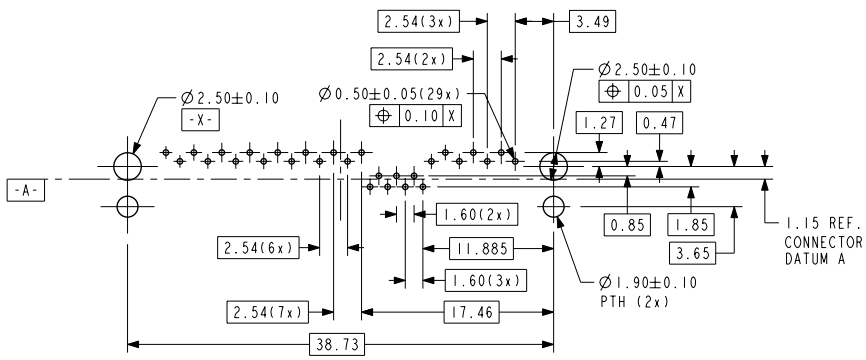


Copyright FCI.

rev	ecn no	dr	date
A	S05-0043	SSYED	2005-07-26
B	S05-0296	SSYED	2005-10-19
C	S07-0256	WLC	2007-07-26
D	S10-0127	MPTAH	2010-06-15

www.fciconnect.com		surface	tolerance std	projection	MM
		TOLERANCES UNLESS OTHERWISE SPECIFIED			
Dr	YEO SS	2005-07-26	ANGULAR	0.x	±0.2
Eng	KP TAY	2010-06-15	LINEAR	0.xx	±0.2
Chr	KP TAY	2010-06-15	0° ±2°	0.xxx	±0.2
Appr	JOEY NG	2010-06-15	Product family	SAS	Spec ref
Title		SAS RECEPTACLE PRESS FIT		Part no	10038064
Catalog no		(WIDE BASE)		Rev.	D
		CUSTOMER		sheet 1 of 2	

HOLE	A
HOLE DIAMETER AFTER PLATING	0.45-0.55 mm
DRILLED HOLE	0.58-0.62 mm
COPPER PLATING	25-50 $\mu$ m
Sn PLATING	5-15 $\mu$ m



RECOMMENDED PCB LAYOUT

NOTE:  
 1. MATERIAL:  
 A) HOUSING: HIGH TEMPERATURE THERMOPLASTIC, UL 94V-0  
 COLOUR: BLACK  
 B) TERMINAL: COPPER ALLOY  
 C) HOLD DOWN: COPPER ALLOY  
 2 FINISH (LEAD-FREE):  
 A) TERMINAL: 30 $\mu$  Au PLATING (CONTACT POINT) OVER 50 $\mu$  NICKEL  
 B) PRESSFIT TAIL: 20 $\mu$  MIN - 60 $\mu$  MAX Sn OVER 50 $\mu$  NICKEL  
 C) HOLD DOWN: 50 $\mu$  min Sn OVER 50 $\mu$  NICKEL  
 3 PER SFF REV 1.4 EXCEPT 0.8mm PITCH BUMP AREA.  
 4 THE HOUSING WILL WITHSTAND EXPOSURE TO 260°C PEAK TEMPERATURE FOR 10 SECONDS IN A CONVECTION, INFRA-RED OR VAPOR PHASE REFLOW OVEN.  
 5 THIS PRODUCT MEETS EUROPE UNION DIRECTIVES AND OTHER COUNTRY REGULATIONS AS DESCRIBED IN GS-22-008.  
 6 PART NUMBERS ENDING IN "LF" MEANS FOR NOTE 5 LEAD FREE IDENTIFICATION. P/N XXXXXXXX-XXXLF IS EQUIVALENT TO PREVIOUS P/N XXXXXXXX-XXX.

	title	SAS RECEPTACLE PRESS FIT	dwg no	10038064	Rev.	D
	(WIDE BASE)					
catalog no			CUSTOMER	sheet 2 of 2		

Copyright FCJ.

REV E - 2004-03-28