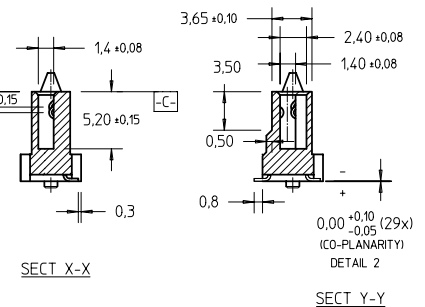
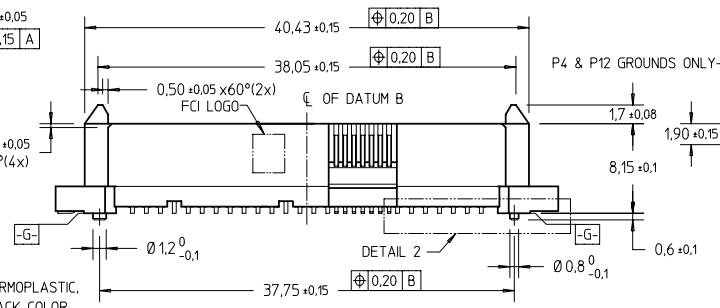
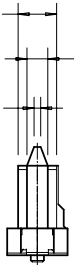
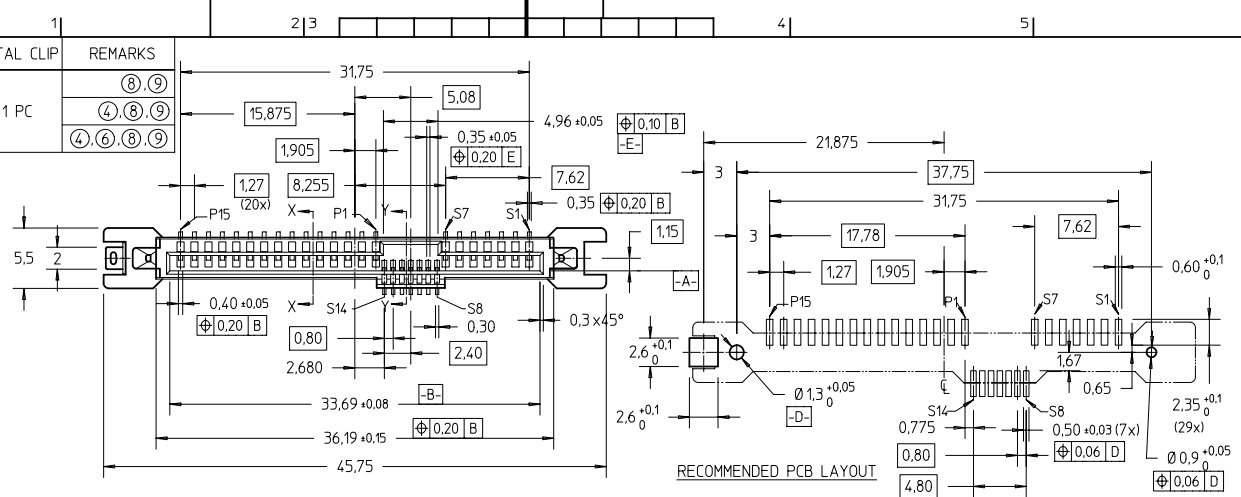
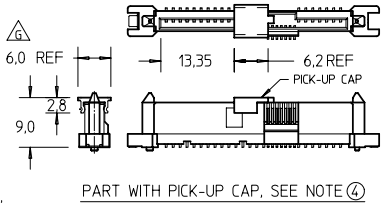


PRODUCT NO	METAL CLIP	REMARKS
10036355-001LF	1 PC	(8) . (9)
10036355-001CLF		(4) . (8) . (9)
10036355-001C-TRLF		(4) . (6) . (8) . (9)



- NOTES:
- MATERIAL:
    - HOUSING : HIGH TEMP TERMOPLASTIC, UL 94V-0, BLACK COLOR
    - TERMINAL : COPPER ALLOY
    - HOLD DOWN : COPPER ALLOY
  - FINISH:
    - TERMINAL : 30u" Au PLATING (CONTACT POINT) OVER 50u" NICKEL
    - SOLDER TAIL : 100u" min Sn OVER 50u" NICKEL
    - HOLD DOWN : 100u" min Sn OVER 50u" NICKEL
  - PER SFF REV 1.1
  - PART WITH PICK-UP CAP, P/N XXXXXXXX-XXXC\_LF
  - THE STD PACKAGING IS IN TRAY
  - FOR TAPE & REEL PACKAGING, SUFFIX '-TR' ADDED, P/N XXXXXXXX-XXXC-TR\_LF



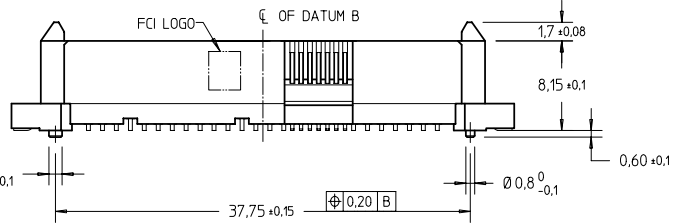
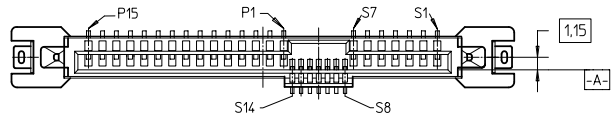
tr	ecn no	dr	date	surface	tolerance	projection	product family
A	S04-0077	QLL	2004-04-20	ISO 1302	ISO 406 ISO 1101	mm	SAS
B	S04-0190	QLL	2004-09-09	angles	linear	mm	title
C	S04-0226	QLL	2004-10-26	± 2°	= ±0.20	scale 2 : 1	SAS RECEPTACLE VERTICAL SMT TYPE ASSY
D	S05-0026	QLL	2005-02-14	dr	QL L00	2004-04-20	dwg no
E	S05-0292	QLL	2005-10-12	engr	QL L00	2004-04-20	sheet 1 of 2 size
F	S04-0281	QLL	2004-08-28	chr	QL L00	2009-08-19	A4
G	S09-0261	QLL	2009-08-19	appd	JOEY NS	2009-08-19	10036355
sheet	revision	G	G				type
index	sheet	1	2				CUSTOMER Drawing

FCI CONFIDENTIAL



This document is the property of and embodies CONFIDENTIAL and PROPRIETARY information of FCI. No part of the information shown herein may be reproduced, stored in a retrieval system, or transmitted in any form or by any means, electronic, mechanical, photocopying, recording, or otherwise, without the written consent of FCI. Copyright FCI.

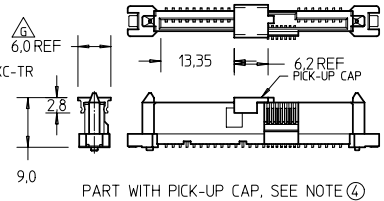
PRODUCT NO	METAL CLIP	REMARKS
10036355-002LF		⑧,⑨
10036355-002CLF	2 PCS	④,⑧,⑨
10036355-002C-TRLF		④,⑥,⑧,⑨



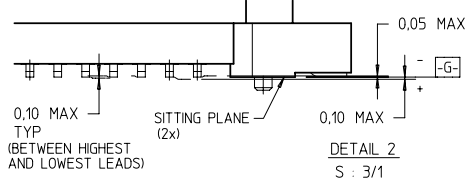
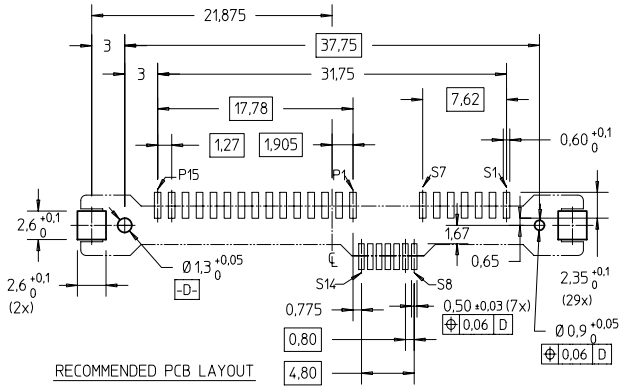
NOTES:  
ALL OTHER DIMENSIONS, REFER TO SHEET 1.

- NOTES: (cont'd)
- 7 THE HOUSING WILL WITHSTAND EXPOSURE TO 260°C PEAK TEMPERATURE FOR 10 SECONDS IN A CONVECTION, INFRA-RED OR VAPOR PHASE REFLOW OVEN.
  - ⑧ THIS PRODUCT MEETS EUROPEAN UNION DIRECTIVES AND OTHER COUNTRY REGULATIONS AS DESCRIBED IN GS-22-008.
  - ⑨ PART NUMBERS ENDING IN "LF" MEANS FOR NOTE 8 LEAD FREE IDENTIFICATION.

THE EQUIVALENT P/N FOR "LF" DESIGNATION:  
 (i) XXXXXXXX-XXXLF IS SAME AS XXXXXXXX-XXX  
 (ii) XXXXXXXX-XXXCLF IS SAME AS XXXXXXXX-XXXC  
 (iii) XXXXXXXX-XXX-TRLF IS SAME AS XXXXXXXX-XXXC-TR



PART WITH PICK-UP CAP, SEE NOTE ④



mat'l. code		surface	tolerance	projection	product family
itr	ecn no	dr	date	ISO 1302	ISO 406 ISO 1101
6				angles	linear
				± 2°	± 0,20
				dr	QL L00
				enrg	QL L00
				chr	QL L00
				appd	JOEY NS
					2004-04-20
					2004-04-20
					2009-08-19
					2009-08-19
sheet index					revision sheet
					1

