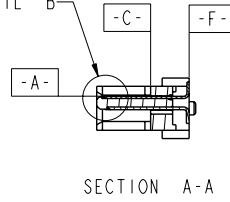
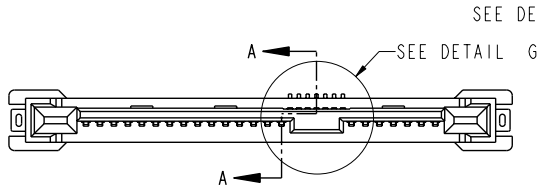
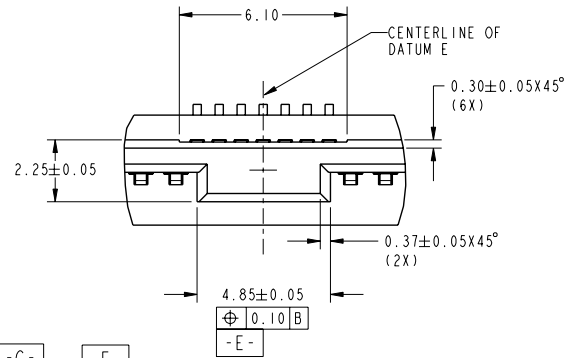
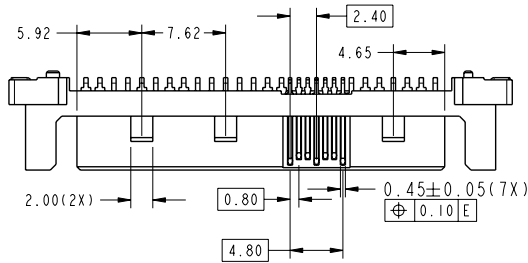
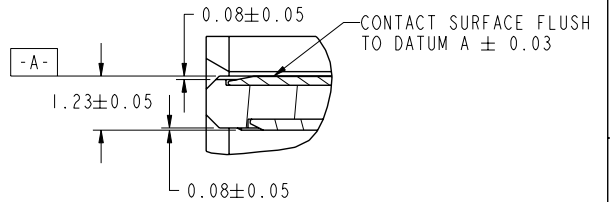
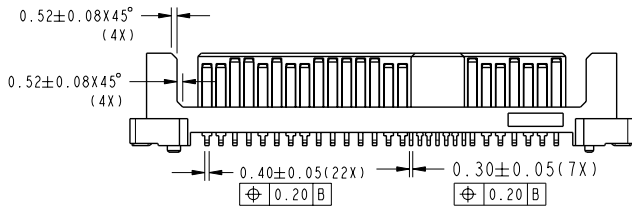


www.fciconnect.com		surface ASME Y14.5	tolerance std ASME Y14.5	projection A4	MM
TOLERANCES UNLESS OTHERWISE SPECIFIED		ANGULAR	0.x ±0.25	size	Scale 2:1
		LINEAR	0.xx ±0.13	ECN	S07-0301
		0° ±2°	0.xxx ±0.050	Spec ref	
		Product family			
rev	ecn no	dr	date		
A	S04-0178	SHT	2004/08/19		
B	S05-0368	HKL	2005/12/29		
C	S06-0077	HKL	2006/03/13		
D	S06-0182	HKL	2006/05/26		
E	S06-0276	HKL	2006/08/18		
F	S07-0301	HKL	2007-09-05		
				Dr	SH TAN 2004/08/19
				Eng	HK LIM 2007-09-05
				Chr	HK LIM 2007-09-05
				Appr	JOEY NG 2007-09-05
FCI		SAS PLUG VERTICAL SMT ASSY		part no	10031193
catalog no		CUSTOMER		Rev.	F
				sheet 1 of 3	

PRODUCT NO.  
SEE TABLE



DETAIL G  
SCALE 5:1



DETAIL B  
SCALE 8:1

FCJ

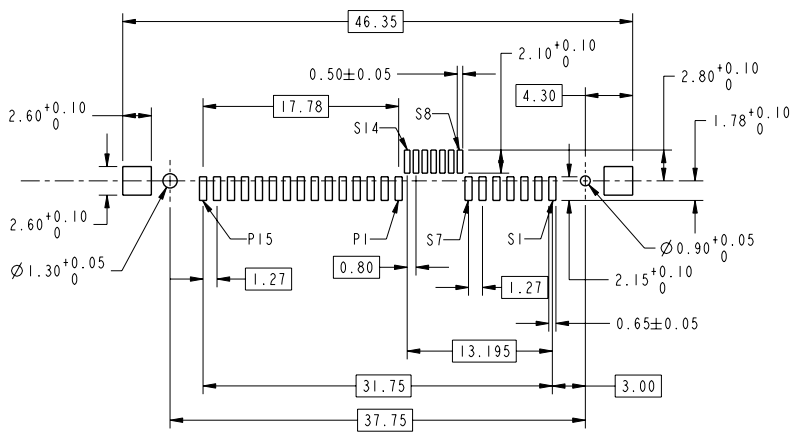
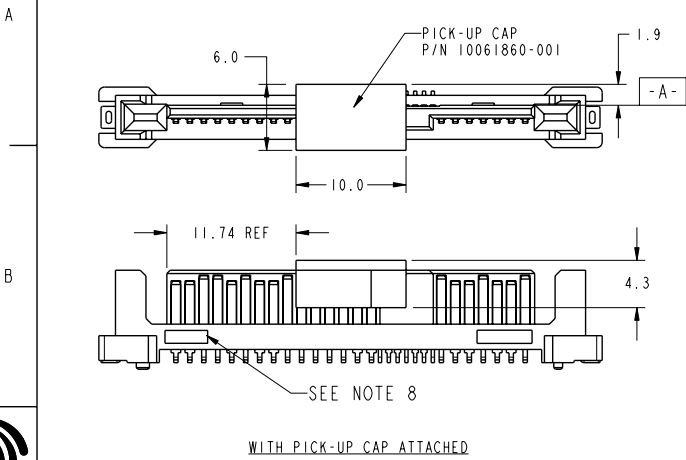
Copyright FCJ.

REV E - 2004-03-28

FCJ	title	SAS PLUG VERTICAL SMT ASSY	drwg no	10031193	Rev.	F
	catalog no		CUSTOMER	sheet	2 of 3	

PDM: Rev:F STATUS:Released 4 Printed: Nov 30, 2010

PRODUCT NO.	WITH PICK-UP CAP	PACKAGING	PLATING SPEC.
10031193-001LF/-002LF	NO	TRAY	-001LF REFER TO NOTE 2A
10031193-001CLF/-002CLF	YES	TAPE & REEL	-002LF REFER TO NOTE 2B
10031193-001C-TRLF/-002C-TRLF			



RECOMMENDED SOLDER PAD LAYOUT

- NOTES: -
- MATERIAL:  
HOUSING: HIGH TEMPERATURE PLASTIC, BLACK, UL94V-0  
CONTACT: COPPER ALLOY  
HOLD DOWN: COPPER ALLOY  
PICK-UP CAP: HIGH TEMPERATURE PLASTIC, BLACK, UL94V-0
  - FINISH:  
CONTACT: 1.27um MIN. NICKEL UNDERPLATE OVERALL,  
1.91um MIN. 100% MATTE TIN ON SOLDER TAIL,  
A) 0.76um MIN. GOLD ON CONTACT AREA  
B) 0.76um MIN. GXT™ ON CONTACT AREA  
HOLD DOWN: 2.54um MIN. 100% MATTE TIN OVER 1.27um MIN. NICKEL UNDERPLATE
  - THIS PRODUCT MEETS EUROPEAN UNION DIRECTIVES AND OTHER COUNTRY REGULATIONS AS DESCRIBED IN GS-22-008
  - THE HOUSING WILL WITHSTAND EXPOSURE TO 260°C PEAK TEMPERATURE FOR 10 SECONDS IN A CONVECTION, INFRA-RED OR VAPOR PHASE REFLOW OVEN
  - PART WITH PICK-UP CAP, P/N XXXXXXXX-XXXCLF
  - FOR TAPE & REEL PACKAGING, P/N XXXXXXXX-XXXC-TRLF
  - ASSY DIMENSIONS WITH REFERENCE TO SFF-8482 REV 1.7
  - THE PART SHALL HAVE "FCI" ID AND CAVITY NUMBER SHOWN IN THE APPROXIMATE LOCATION

	TITLE	SAS PLUG VERTICAL SMT ASSY	DRG NO	10031193	Rev. F
	CATALOG NO	CUSTOMER		sheet 3 of 3	

3PDM: Rev:F STATUS:Released 4Printed: Nov 30, 2010

Copyright FCI.