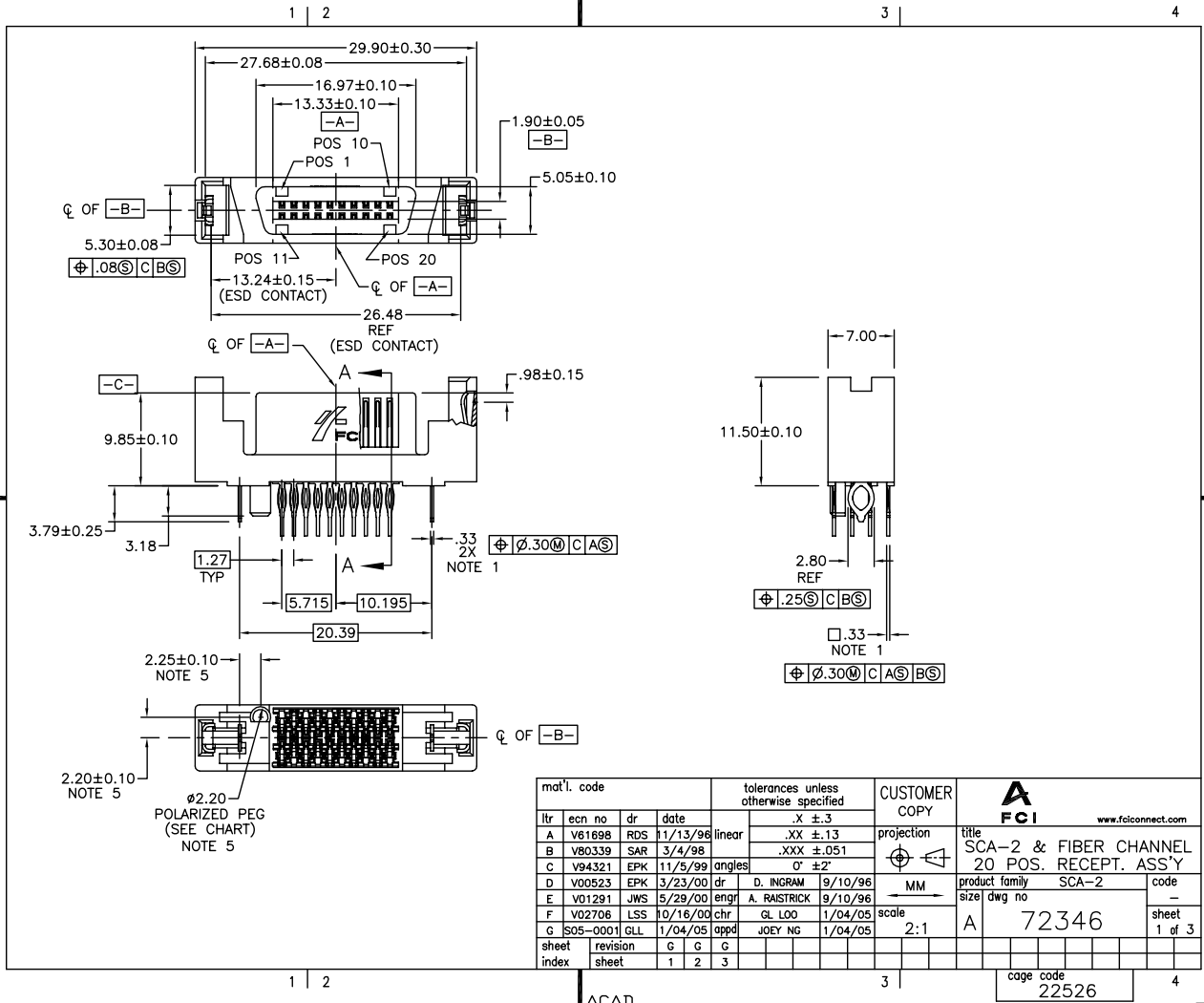


Tous droits strictement réservés. Reproduction ou communication à des tiers  
Interdite sous quelque forme que ce soit sans autorisation écrite du propriétaire.  
Property of FCI. Copyright FCI.

All rights strictly reserved. Reproduction or issue to third parties in any  
form whatever is not permitted without written authority from the proprietor.  
Property of FCI. Copyright FCI.



mat'l. code		tolerances unless otherwise specified		CUSTOMER COPY		FCI www.fciconnect.com	
ltr	ecn no	dr	date	linear	.X ±.3	projection	title SCA-2 & FIBER CHANNEL 20 POS. RECEPT. ASS'Y
A	V81898	RDS	11/13/98		.XX ±.13	product family SCA-2	
B	V80339	SAR	3/4/98		.XXX ±.051		
C	V94321	EPK	11/5/99	angles	0° ±2'	size	sheet 1 of 3
D	V00523	EPK	3/23/00	dr	D. INGRAM 9/10/96	MM	product family SCA-2
E	V01291	JWS	5/29/00	engr	A. RAISTRICK 9/10/96	scale	code -
F	V02706	LSS	10/18/00	chr	GL LOO 1/04/05	2:1	size A
G	IS05-0001	GLL	1/04/05	appd	JOEY NG 1/04/05		dwg no 72346
sheet	revision	G	G	G			sheet 1 of 3
index	sheet	1	2	3			sheet 1 of 3

cage code  
22526

ACAD

PDM: Rev:G

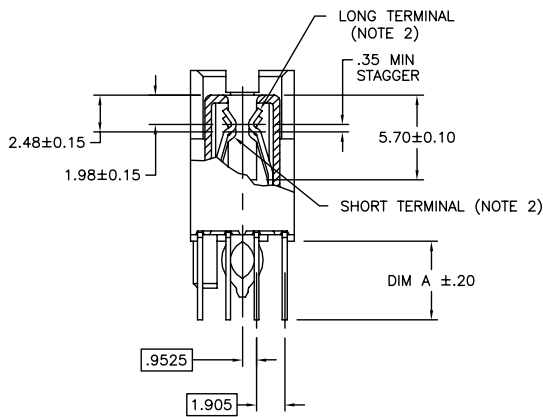
STATUS:Released

Printed: May 26, 2010

Tous droits strictement réservés. Reproduction ou communication à des tiers  
 Interdite sous quelque forme que ce soit sans autorisation écrite du propriétaire.  
 Property of FCI. Copyright FCI. Droits de reproduction FCI.



All rights strictly reserved. Reproduction or issue to third parties in any  
 form whatever is not permitted without written authority from the proprietor.  
 Property of FCI. Copyright FCI.



SECTION A-A

mat'l. code		tolerances unless otherwise specified		CUSTOMER COPY		www.fciconnect.com	
ltr	ecn no	dr	date	linear	projection	title	
				.X ±.3		SCA-2 & FIBER CHANNEL	
				.XX ±.13		20 POS. RECEPT. ASS'Y	
				.XXX ±.051		product family	SCA-2
				angles	MM	size	dwg no
				dr	scale	A	72346
				engr	3:1		sheet
				chr			2 of 3
				appd			
sheet index	revision sheet					cage code	
						22526	

ACAD

PDM: Rev:G

STATUS: Released

Printed: May 26, 2010

Tous droits strictement réservés. Reproduction ou communication e des tiers interdite sous quelque forme que ce soit sans autorisation écrite du propriétaire. Property of FCI. Droits de reproduction FCI.

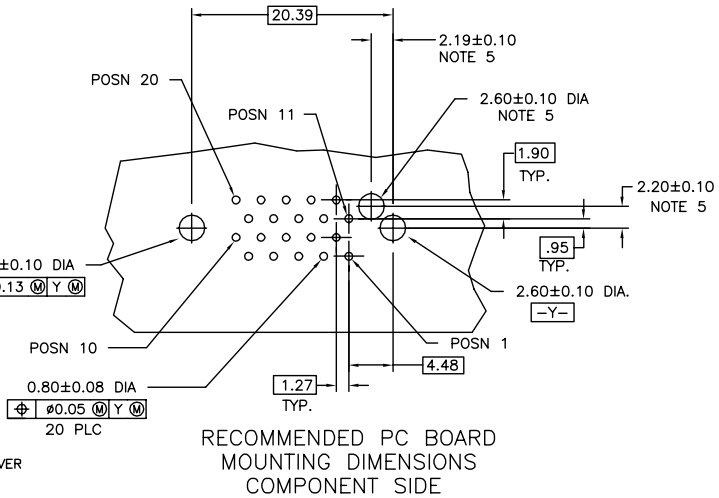
All rights strictly reserved. Reproduction or issue to third parties in any form whatever is not permitted without written authority from the proprietor. Property of FCI. Copyright FCI.

PRODUCT NUMBER	"A" DIM	POLARIZATION PEG	PLATING	RECOMMENDED P.C. BOARD THICKNESS	PRODUCT NUMBER	PLATING	PRODUCT NUMBER	PLATING	PRODUCT NUMBER	PLATING
72346-001	3.79	YES	NOTE ④	2.36mm (0.093") AND 3.18mm (0.125")	72346-101	NOTE ⑥	72346-001LF	NOTE ⑧	72346-101LF	NOTE ⑦
-002	3.79	NO			72346-102		72346-002LF		72346-102LF	
-003	4.60	YES			72346-103		72346-003LF		72346-103LF	
72346-004	4.60	NO	72346-104	72346-004LF	72346-104LF					

NOTE 6      NOTE 8      NOTE 7

NOTES :

- ① TRUE POSITION NOTES APPLY AT TERMINAL TIP.
- ② CONTACTS IN POSITIONS 1 THRU 10 AND 15 AND 16 ARE SHORT TERMINALS. CONTACTS IN POSITIONS 11, 12, 13, 14, AND 17, 18, 19, 20 ARE LONG TERMINALS.
- ③ RAW MATERIALS:  
HOUSING: HTN, UL94V-0, COLOR: BLACK  
CONTACTS: PHOSPHOR-BRONZE
- ④ CONTACT PLATING: 30u" (0.76µm) MIN. GXT PLATING OVER 50u" (1.27µm) NICKLE MIN. UNDERPLATE IN CONTACT AREA. 20µ" (0.5µm) MIN-60µ" (1.5µm) MAX TIN-LEAD PLATING OVER 50u" (1.27µm) MIN. NICKLE UNDERPLATE IN P.C. BOARD LEG AREA. 50u" (1.27µm) MIN. NICKLE UNDERPLATE OVER REMAINING AREA.
- ⑤ DIMENSIONS DO NOT APPLY TO CONNECTOR STYLES WITHOUT 2.60±0.10 DIA POLARIZATION PEG. (SEE CHART)
- ⑥ CONTACT PLATING: 30u" (0.76µm) MIN GOLD PLATING OVER 50u" (1.27µm) NICKLE UNDERPLATE IN CONTACT AREA. 20µ" (0.5µm) MIN-60µ" (1.5µm) MAX TIN-LEAD PLATING OVER 50u" (1.27µm) MIN. NICKLE UNDERPLATE IN P.C. BOARD LEG AREA. 50u" (1.27µm) MIN. NICKLE UNDERPLATE OVER REMAINING AREA.
- ⑦ CONTACT PLATING: 30u" (0.76µm) GOLD PLATING OVER 50u" (1.27µm) NICKLE UNDERPLATE IN CONTACT AREA. 20µ" (0.5µm) - 60µ" (1.5µm) TIN PLATING OVER 50u" (1.27µm) - 100µ" (2.54µm) NICKEL UNDERPLATE IN P.C. BOARD LEG AREA. 50u" (1.27µm) NICKEL UNDERPLATE OVER REMAINING AREA.
- ⑧ CONTACT PLATING: 30u" (0.76µm) GXT PLATING OVER 50u" (1.27µm) NICKLE UNDERPLATE IN CONTACT AREA. 20µ" (0.5µm) - 60µ" (1.5µm) TIN PLATING OVER 50u" (1.27µm) - 100µ" (2.54µm) NICKEL UNDERPLATE IN P.C. BOARD LEG AREA. 50u" (1.27µm) NICKEL UNDERPLATE OVER REMAINING AREA.
- ⑨ THE HOUSING WILL WITHSTAND EXPOSURE TO 260°C PEAK TEMPERATURE FOR 10 SECONDS IN A CONVECTION, INFRA RED VAPOR PHASE REFLOW OVEN.
- ⑩ THIS PRODUCT MEETS EUROPEAN UNION DIRECTIVES AND OTHER COUNTRY REGULATIONS AS DESCRIBED IN GS-22-008.



RECOMMENDED PC BOARD MOUNTING DIMENSIONS COMPONENT SIDE

mat'l. code		tolerances unless otherwise specified		CUSTOMER COPY		FCI www.fciconnect.com	
ltr	ecn no	dr	date	linear	.X ±.3	projection	title
g					.XX ±.13	⊕	SCA-2 & FIBER CHANNEL
				angles	.XXX ±.051		20 POS. RECEPT. ASS'Y
				dr	0 ±.2	MM	product family
				enrg	D. INGRAM 9/10/96		SCA-2
				chr	A. RAWSTRICK 9/10/96	scale	code
				appd	GL LOO 1/04/05	2:1	size
					JOEY NG 1/04/05		dwg no
sheet	revision						72346
index	sheet						3 of 3

1 | 2      3 |      4

ACAD

cage code 22526