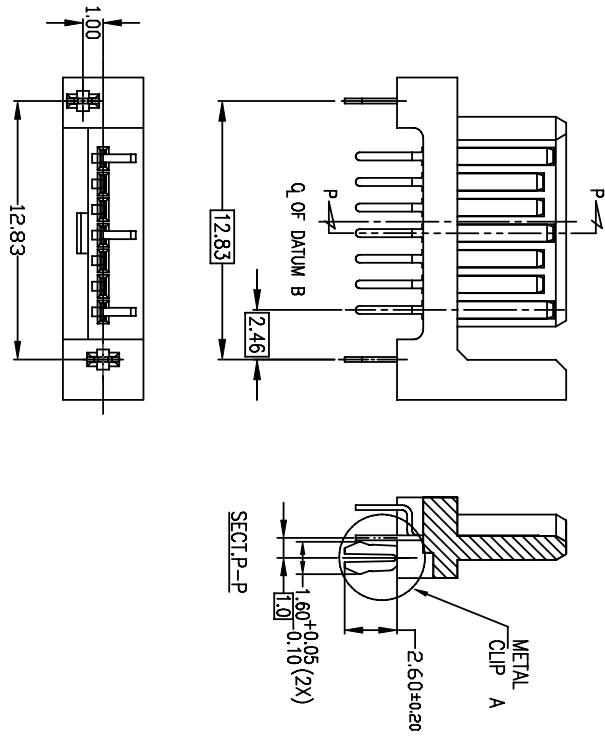
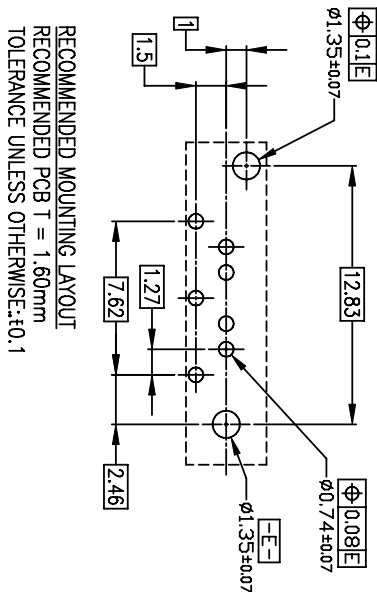
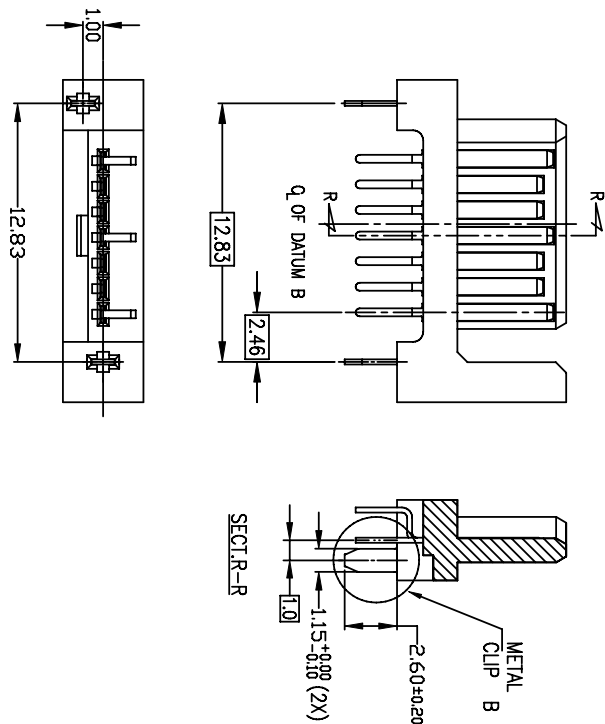




PRODUCT NO.	PLATING AT CONTACT PT	HOUSING COLOR	PLATING AT SOLDERTAIL	HOLD DOWN
59333-002LF	0.38um/ 15u" min	BLACK	For part : 59333-xxx (CANCEL)	METAL CLIP A
59333-102LF	0.38um/ 15u" min	BLUE	For Leadfree part 59333-xxxLF	
59333-022LF	0.076um/ 3u" min	BLACK	Refer Note 3b & 5	
59333-122LF	0.076um/ 3u" min	BLUE		



PRODUCT NO.	PLATING AT CONTACT PT	HOUSING COLOR	PLATING AT SOLDERTAIL	HOLD DOWN
59333-003LF	0.38um/ 15u" min	BLACK	For part : 59333-xxx (CANCEL)	METAL CLIP B
59333-103LF	0.38um/ 15u" min	BLUE	For Leadfree part 59333-xxxLF	
59333-023LF	0.076um/ 3u" min	BLACK	Refer Note 3b & 5	
59333-123LF	0.076um/ 3u" min	BLUE		



mat'l. code	ecn no.	dr	date	tolerances unless otherwise specified	CUSTOMER COPY	projection	title	product family	code
A	S03-0057	JPEH	04/15/03	.XX ± 0.30		MM	S-ATA SIGNAL PLUG	SATA	TWN
B	S03-0162	JPEH	11/03/03	.XXX ± 0.10			DIP VERTICAL TYPE ASSY		sheet
C	S04-0170	JPEH	08/04/04	0° ± 2°					2 of
D	S04-0244	GLL	11/16/04						
E	T08-0189	S.LIN	11/16/06						
sheet	revision	E	E						
index	sheet	1	2						

ACAT

code code