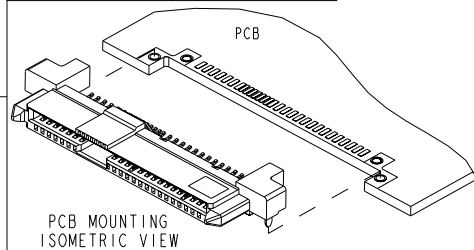
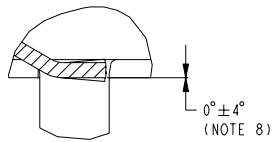


PRODUCT NO.	PACKAGING
10036587-001LF	TRAY
10036587-001TRLF	TAPE & REEL
10036587-002LF	TRAY
10036587-002TRLF	TAPE & REEL
10036587-003LF	TRAY

A



B



NOTES:-

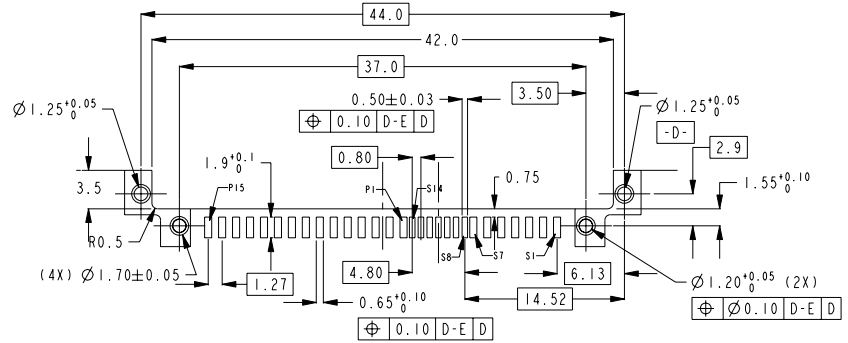
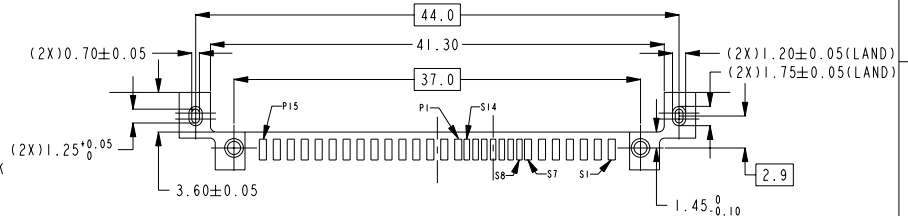
- MATERIAL:
  - HOUSING : HIGH TEMP. THERMOPLASTIC, 94V-0, COLOR: BLACK
  - TERMINAL : COPPER ALLOY
  - HOLD DOWN: COPPER ALLOY
- FINISH:
  - TERMINAL : 30u" Au PLATING (CONTACT POINT) OVER 50u" MIN NICKEL
  - SOLDER TAIL: 100u" MIN TIN OVER 50u" MIN NICKEL
  - HOLD DOWN : 100u" MIN TIN OVER 50u" MIN NICKEL
- PACKAGING:
  - 10036587-XXXLF : REFER TO STANDARD PACKAGING IN TRAY
  - 10036587-XXXTRLF: REFER TO TAPE AND REEL PACKAGING
- THE HOUSING WILL WITHSTAND EXPOSURE TO 260 DEGREES CELSIUS PEAK TEMPERATURE FOR 10 SECONDS IN A CONVECTION, INFRE-RED OR VAPOUR PHASE REFLOW OVEN
- THIS PRODUCT MEETS EUROPEAN UNION DIRECTIVES AND OTHER COUNTRY REGULATIONS AS DESCRIBED IN GS-22-008
- PART NUMBERS ENDING IN "LF" MEANS FOR NOTE 5 LEAD FREE IDENTIFICATION, P/N XXXXXXXX-XXXLF IS EQUIVALENT TO PREVIOUS P/N XXXXXXXX-XXX
- ALL SOLDER TAIL TO BE WITHIN 0.10mm, MAX COPLANARITY.
- ALL SOLDER TAILS ANGLE CONTROL SHALL BE  $0^{\circ} \pm 4^{\circ}$  AND APPLIED TO P/N 10036587-XXXLF.
- A  $\Delta$  SYMBOL BE NEXT TO ANY DIMENSION, VIEW, OR NOTE WHICH HAS) BEEN MODIFIED WITH THE CURRENT DRAWING REVISION.

C

Copyright FCI.

D

2

**RECOMMENDED PCB LAYOUT**RECOMMENDED PCB T: 1.6mm  
TOLERANCE UNLESS OTHERWISE:  $\pm 0.1$ **ALTERNATIVE PCB LAYOUT**REFER TO ABOVE RECOMMENDED PCB LAYOUT FOR UNSPECIFIED DIMENSIONS  
RECOMMENDED PCB T: 1.6mm  
TOLERANCE UNLESS OTHERWISE:  $\pm 0.1$ 

www.fci.com				surface ASME Y14.5		tolerance std ASME Y14.5		projection ASME Y14.5		MM	
TOLERANCES UNLESS OTHERWISE SPECIFIED				0.X ±0.25		0.XX ±0.2		0.XXX ±		size A4 Scale 2:1	
ANGULAR				LINEAR		0° ±0.2°		ECN S09-0177		Spec ref	
Dr JOYCE PEH 2004-08-23				Chr BL LIM 2009-05-27		Appr JOEY NG 2009-05-27		Product family		Rev. K	
Dr BL LIM 2009-05-27				Chr BL LIM 2009-05-27		Appr JOEY NG 2009-05-27		Product family		Spec ref	
D S06-0010 TECS 2006-01-09				E S06-0205 JTAN 2006-06-13		F S07-0007 TAY 2007-01-08		G S07-0159 TAY 2007-05-11		H S08-0136 TAY 2008-05-06	
J S08-0359 BLLIM 2008-10-31				K S09-0177 BLLIM 2009-05-27							

SAS RECEPTACLE  
R/A SMT ASSY  
catalog no10036587  
CUSTOMER sheet 1 of 3

REV. 1 2004-04-17

2

**PDM: Rev:K** STATUS:Released<sup>4</sup> Printed: Dec 01, 2010

A

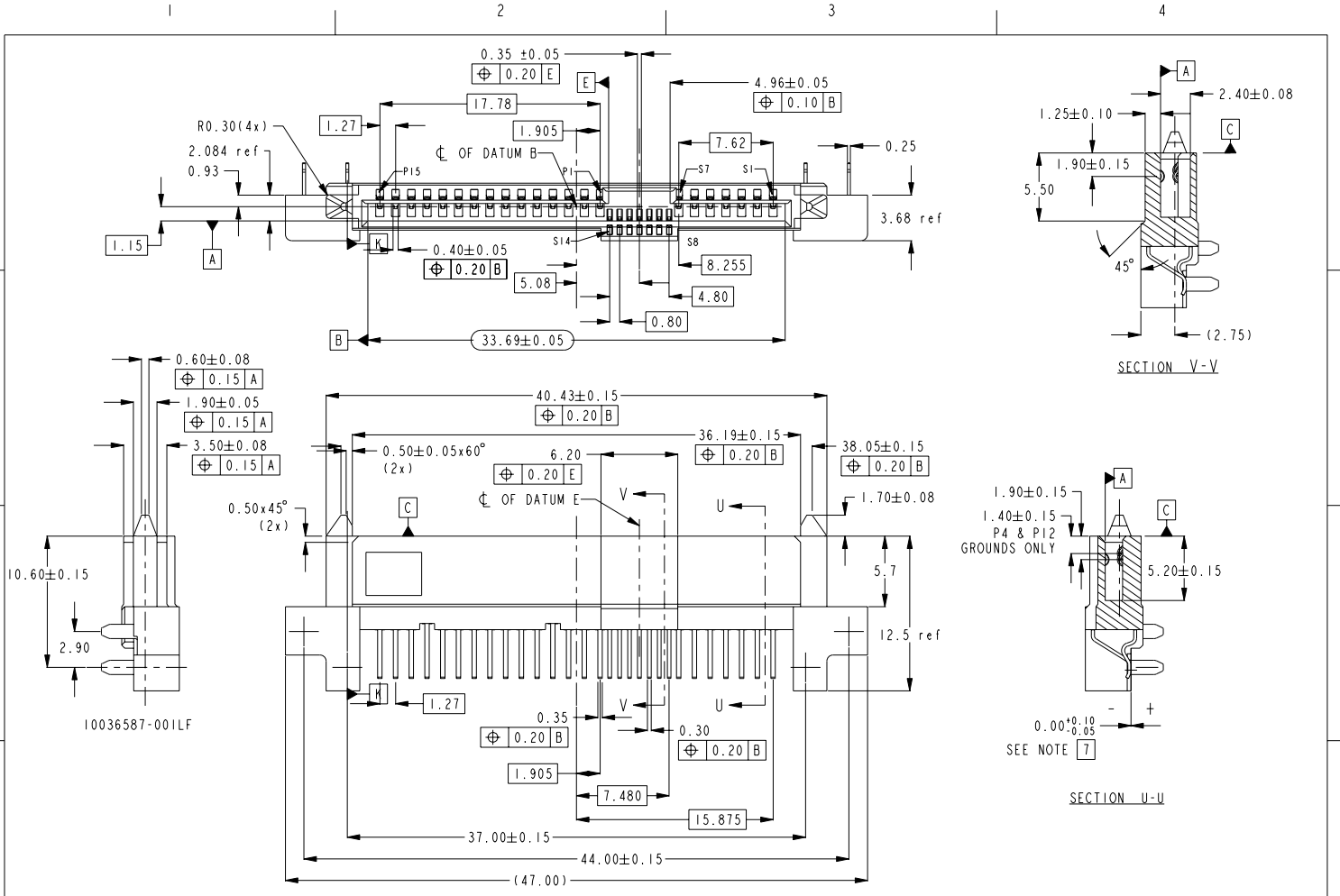
B

C

D



Copyright FCJ.



REV: 2008-01-17

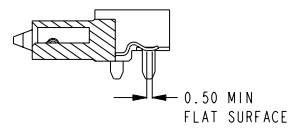
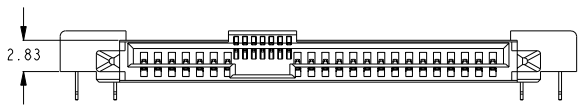
	title	SAS RECEPTACLE	dwg no	10036587	Rev.	K
	description	R/A SMT ASSY	customer	CUSTOMER	sheet	2 of 3
	catalog no					

PDM: Rev:K STATUS:Released 4 Printed: Dec 01, 2010

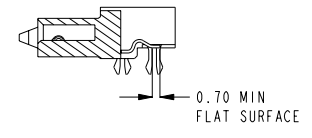
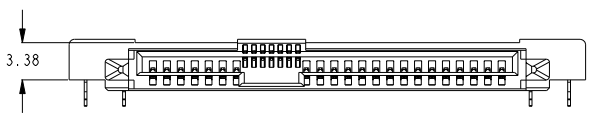


Copyright FCJ.

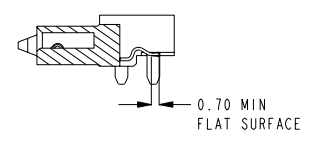
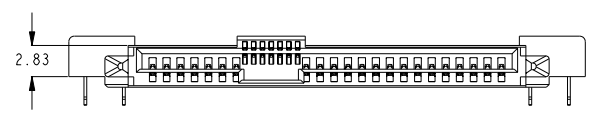
10036587-001LF



10036587-002LF



10036587-003LF



UNSPECIFIED DIMENSIONS PLEASE REFER TO PAGE 1 & 2

	title	SAS RECEPTACLE	dwg no	10036587	Rev.	K
		R/A SMT ASSY				
	catalog no		CUSTOMER	sheet 3 of 3		

PDM: Rev:K STATUS:Released<sup>4</sup> Printed: Dec 01, 2010

REV: 2004-04-07