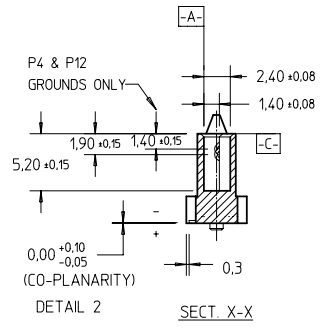
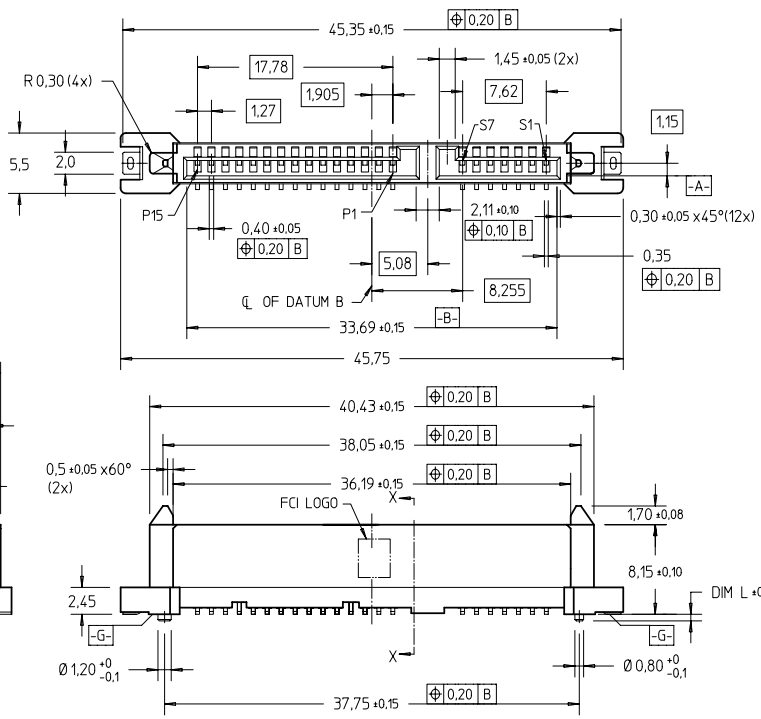


FCI CONFIDENTIAL
 This document is the property of and embodies CONFIDENTIAL and PROPRIETARY information of FCI. No part of the information shown here may be disclosed, copied, or used in any way or for any purpose without the written consent of FCI.
 Copyright FCI
 FCIconnect.com

PRODUCT NO
SEE TABLE



mat'l. code		surface	tolerance	projection	product family
itr	ecn no	ISO 1302	ISO 406 ISO 1101		S-ATA
A	S06-0231	GLL	tolerances unless otherwise specified	mm	title
B	S07-0079	GLL	linear	scale 2:1	S-ATA COMB RECP. VERTICAL SMT TYPE ASSY
C	S07-0268	GLL	± 2°		dwg no
D	S09-0283	GLL	engr		10042140
			chr		sheet 1 of 2 size
			appd		A4
					type
					CUSTOMER Drawing
sheet	revision	D	0		
index	sheet	1	2		

PDM: Rev:D STATUS Released 10042140C rev D Printed: Apr 08, 2010

FCI CONFIDENTIAL



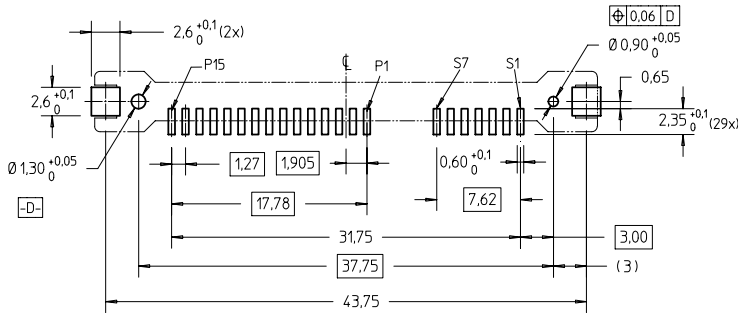
This document is the property of and embodies CONFIDENTIAL and PROPRIETARY information of FCI. No part of the information shown here may be reproduced, stored in a retrieval system, or transmitted in any form or by any means, electronic, mechanical, photocopying, recording, or otherwise, without the written consent of FCI. Copyright FCI.

PRODUCT NO	DIM L	PICK-UP CAP	PACKAGING
10042140-001LF	0.60	NO	STD TRAY
10042140-001CLF		YES	STD TRAY
10042140-001C-TRLF		YES	TAPE & REEL
10042140-003LF	1.45	NO	STD TRAY
10042140-003CLF		YES	STD TRAY
10042140-003C-TRLF		YES	TAPE & REEL

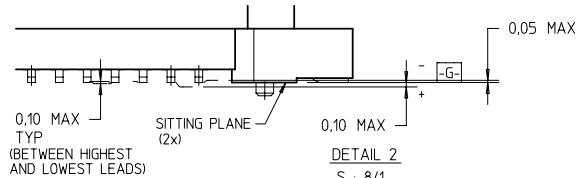
PRODUCT NO	DIM L	PICK-UP CAP	PACKAGING
10042140-002LF	0.60	NO	CUSTOM-MADE
10042140-002CLF		YES	TRAY

NOTES:

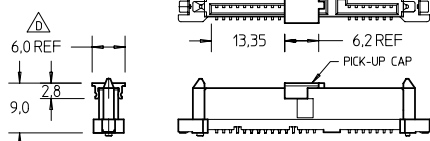
- 1 THE UNMATING FORCE SHALL NOT BE LESS THAN 5N.
- 2 MATERIAL:
 - 1) HOUSING : HIGH TEMP TERMOPLASTIC, UL 94V-0
COLOR : BLACK
 - 2) TERMINAL : COPPER ALLOY
 - 3) HOLD DOWN : COPPER ALLOY
- 3 FINISH :
 - 1) TERMINAL : 30u" Au PLATING (CONTACT POINT) OVER 50u" NICKEL
 - 2) SOLDER TAIL : 50u" min Sn OVER 50u" NICKEL
 - 3) HOLD DOWN : 50u" min Sn OVER 50u" NICKEL
- 4 PART WITH PICK-UP CAP, P/N XXXXXXXX-XXXX LF
- 5 THE STD PACKAGING IS IN TRAY.
- 6 FOR TAPE & REEL PACKAGING, SUFFIX '-TR' ADDED
P/N XXXXXXXX-XXXX-TR LF
- 7 THE HOUSING WILL WITHSTAND EXPOSURE TO 260°C PEAK TEMPERATURE FOR 10 SECONDS IN A CONVECTION, INFRA-RED OR VAPOR PHASE REFLOW OVEN.
- 8 THIS PRODUCT MEETS EUROPEAN UNION DIRECTIVES AND OTHER COUNTRY REGULATIONS AS DESCRIBED IN GS-22-008.
- 9 PART NUMBERS ENDING IN 'LF' MEANS FOR NOTE 8 LEAD FREE IDENTIFICATION.
- 10 A Δ SYMBOL WILL BE NEXT TO ANY DIMENSION, VIEW, OR NOTE WHICH HAS BEEN MODIFIED WITH THE CURRENT DRAWING REVISION.



RECOMMENDED PCB LAYOUT



DETAIL 2
S : 8/1



PART WITH PICK-UP CAP, SEE NOTE 4

mat'l. code		surface	tolerance	projection	product family
ISO 1302		ISO 406 ISO 1101	ISO 406 ISO 1101	mm	S-ATA
tr	ecn no	dr	date	title	
D				S-ATA COMB RECP. VERTICAL SMT TYPE ASSY	
tolerances unless otherwise specified				scale 2 : 1	
angles		linear	= +0.20		
± 2°					
dr	QL L00	2005-12-20	FCI		
enrg	QL L00	2005-12-20	dwg no		
chr	QL L00	2009-09-09	10042140		
appd	JOEY NG	2009-09-09	sheet 2 of 2 size		
sheet index		revision	sheet	A4	
1		1	1	type CUSTOMER Drawing	

form A4

PDM: Rev:D

STATUS Released

Printed: Apr 08, 2010