



**INFINITY** Amphenol Data/Telecom's High Speed INFINITY (4X/12X) series of connectors facilitate data speeds up to 75 Gbps total bandwidth, as required by InfiniBand™, Fibre Channel and Serial Attached SCSI Trade Associations, with superior EMI performance. INFINITY connectors are high-density, hot pluggable and meet SFF-8470 specifications. A variety of receptacles are available that will fit multiple connectors into a 1U form factor and PCI bracket. All receptacles are available with standard or RoHS compliant materials.

- InfiniBand™
- Fibre Channel
- 10Gb Ethernet
- SAS, External (Serial Attached SCSI)
- SFF-8470
- CX4

## APPLICATIONS

- Datacom Devices
- HCAs (Host Controller Adapters)
- High Speed Routers and Switches
- Storage Devices
- SANs (Storage Area Networks)
- Servers
- RAID
- XAUI

## ORDERING INFORMATION

Contact Amphenol for additional options

### Infinity Receptacle

U65 - E 04 - 1 2 1 0 - (T)

#### INFINITY RECEPTACLE

#### STYLE

- B** - 2 Locating Posts and 2 or 4 Solder Posts
- E** - 2 Locating Posts and 2 or 4 Screw Mounting Holes
- F** - Belly-to-Belly (2 Locating Posts and Through-Hole Mounting)
- P** - 2 Locating/Friction Posts and 2 Screw Mounting Holes\*\*\*

#### CONNECTOR TYPE

- 04** - 4X
- 12** - 12X

#### CONTACT PLATING

- 1** - 50µ" Gold plating
- 2** - 30µ" Gold plating
- 4** - 50µ" Gold plating (RoHS Compliant)
- 5** - 30µ" Gold plating (RoHS Compliant)

#### HARDWARE OPTION

##### Lanyard Application

- 0** - Lock Plate
- 1** - One-Piece Lock Plate
- 2** - Without Lock Plate

##### Thumbscrew Application

- 0** - Standard screw (Bulk packed)
- 1** - Self-locking screw (Bulk packed)
- 2** - Without screws (Order separately)

#### PACKAGING

- Blank** - Tray Packaging
- T** - Tape and Reel Packaging
- C** - Rear Cover (bulk packed)
- CT** - Rear Cover (bulk packed) with Tape and Reel Packaging

#### KEYING OPTION:

- 0** - No Keying

#### APPLICATION:

- 1** - Lanyard Latch - (Without arms)  
*Applications: InfiniBand™*
- 2** - Thumbscrew - (Without arms)  
*Applications: Fibre Channel / SAS / 10Gb Ethernet*
- 6** - Lanyard Latch - (With arms)  
*Applications: InfiniBand™*
- 7** - Lanyard Latch - (With arms and top mounting ear)  
*Applications: InfiniBand™*
- 8** - Thumbscrew - (With arms)  
*Applications: Fibre Channel / SAS / 10Gb Ethernet*

#### INFINITY RECEPTACLE ACCESSORIES (ORDER SEPARATELY)

- U65-404-21-P** = 4X One-piece Lock Plate\*
- U65-404-60-P** = 4X Optional Rear Cover
- U65-404-61-P** = 4X Belly-To-Belly Optional Rear Cover
- U65-412-21-P** = 12X One-piece Lock Plate\*
- U65-412-60-P** = 12X Optional Rear Cover
- U65-404-40-P** = Thumbscrews (Standard)\*\*
- U65-404-41-P** = Thumbscrews (Self-locking)\*\*

#### NOTES

- \* Lanyard Application Only
- \*\* Thumbscrew Application Only
- \*\*\* Thumbscrew 12X Application Only

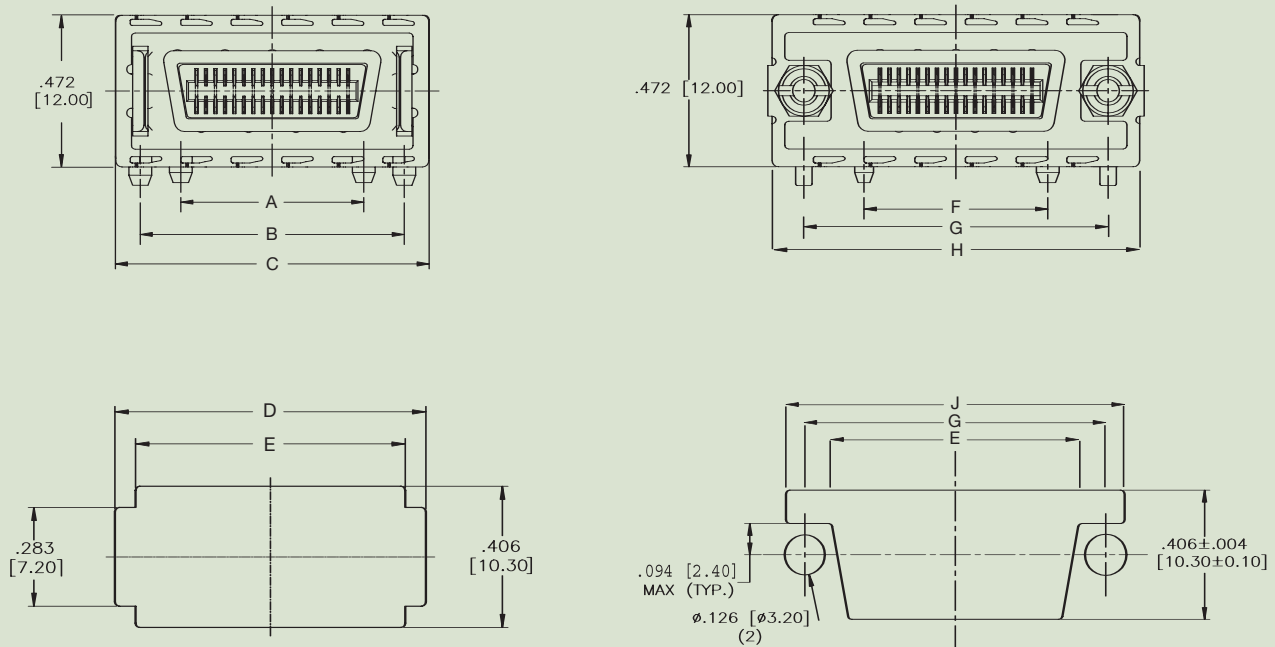
## MATERIAL SPECIFICATIONS

<b>Plastic Insert</b>	High temperature resistant nylon; Flammability rating – UL94V-0
<b>Contacts</b>	Phosphor bronze; 50μ” [1.27μm] or 30μ” [0.76μm] gold plating over nickel on mating area and tin-lead plating over nickel (standard) or 2μ” [0.05μm] gold plating over nickel (RoHS compliant) on PCB terminations
<b>Shield</b>	Die cast; Nickel plated

## ELECTRICAL AND ENVIRONMENTAL SPECIFICATIONS

<b>Current Rating</b>	0.5 Amps maximum/contact	<b>DWV</b>	30 VAC
<b>Contact Resistance</b>	80mΩ maximum initial	<b>Operating Temperature</b>	-40°C to +85°C
<b>Insulation Resistance</b>	1000MΩ minimum	<b>Durability</b>	250 mating cycles

## TECHNICAL SPECIFICATIONS

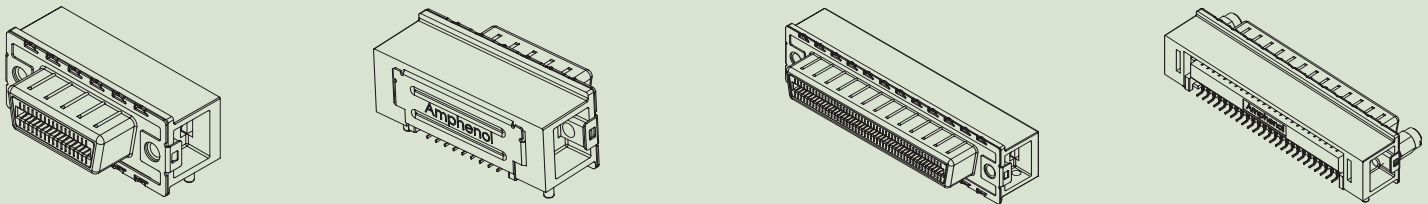
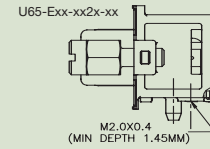
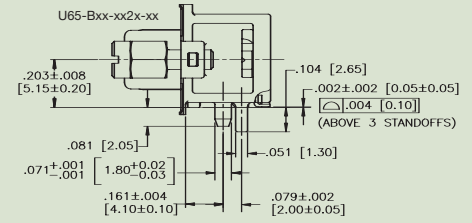
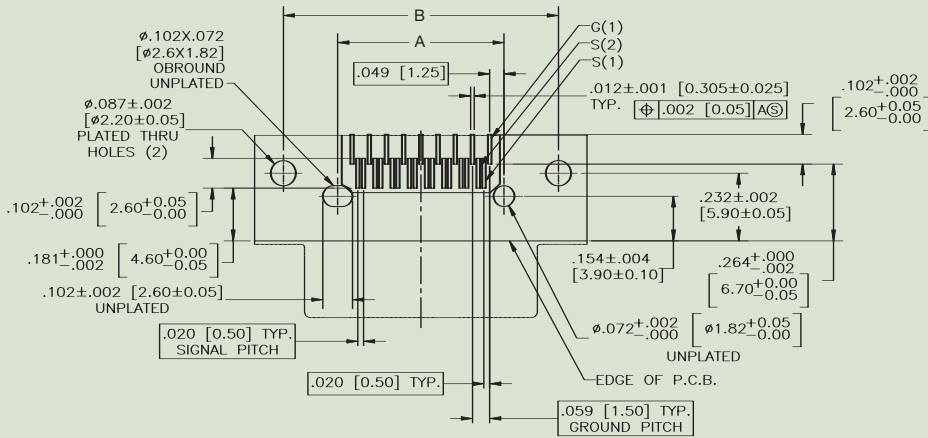


INFINITY RECEPTACLE	A	B	C	D	E	F	G	H	J
4X	0.571 [14.50]	0.823 [20.90]	0.978 [24.85]	0.894 [22.70]	0.776 [19.70]	0.571 [14.50]	0.945 [24.00]	1.169 [29.70]	1.063 [27.00]
12X	1.516 [38.50]	1.768 [44.90]	1.923 [48.85]	1.839 [46.70]	1.720 [43.70]	1.516 [38.50]	1.890 [48.00]	2.114 [53.70]	2.008 [51.00]

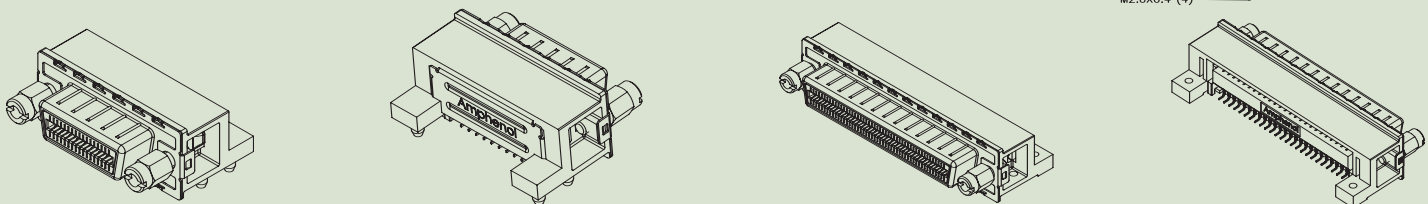
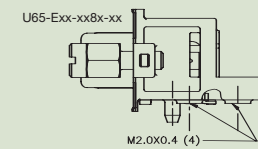
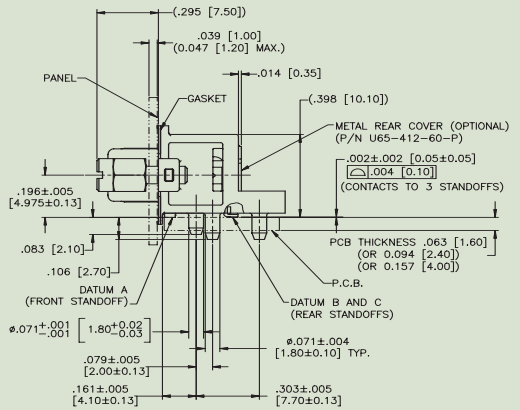
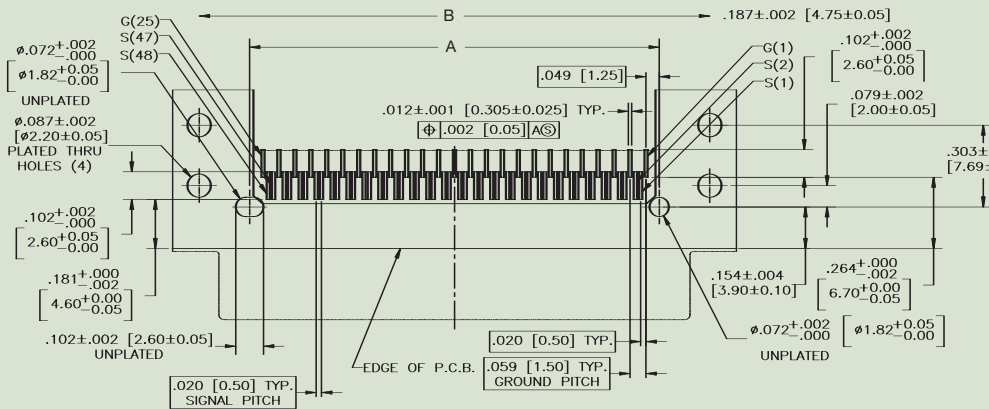
TOLERANCE: ± 0.005 [± 0.13] DIMENSIONS TO BE USED AS REFERENCE ONLY PLEASE REFER TO SALES DRAWINGS FOR DETAILED DIMENSIONS SPECIFICATIONS SUBJECT TO CHANGE



## THUMBSCREW WITHOUT ARMS



## THUMBSCREW WITH ARMS



THUMBSCREW RECEPTACLE	A	B
4X	0.571 [14.50]	0.945 [24.00]
12X	1.516 [38.50]	1.890 [48.00]

TOLERANCE:  $\pm 0.005$  [ $\pm 0.13$ ]  
 DIMENSIONS TO BE USED AS REFERENCE ONLY  
 PLEASE REFER TO SALES DRAWINGS FOR DETAILED DIMENSIONS  
 SPECIFICATIONS SUBJECT TO CHANGE