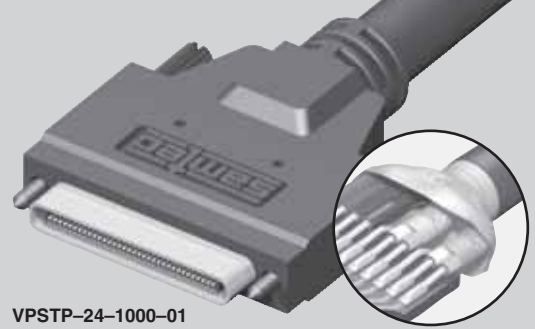




VRDPC-36-01-M-RA



VPSTP-24-1000-01

VPSTP, VRDPC SERIES

HI-SPEED SHIELDED TWISTED PAIR SYSTEM

Mates with:
VRDPC

SPECIFICATIONS

For complete specifications see
www.samtec.com?VPSTP


Operating Temp Range:
-20°C to + 80°C

Signal Routing:
100Ω Differential

Pinout Map:
See web address above

RoHS Compliant:
Yes

Performance @ 1 meter
950 MHz / 1.90 Gbps

Name	V-Port™
Series	VPSTP
Cable Type	 30 AWG Shielded Twisted Pair
Performance @ 1 meter	950 MHz / 1.90 Gbps

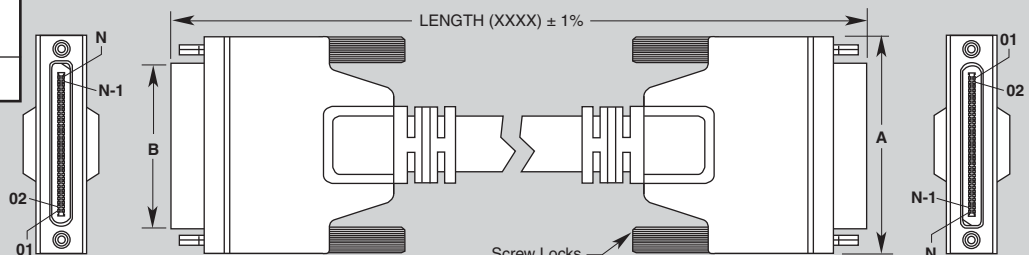
APPLICATION SPECIFIC

Pin 1 to Pin N/2+1 available.
Call Samtec.

Note: This Series is non-standard, non-returnable.

TYPE	NO. OF SIGNAL PAIRS	LENGTH	WIRE OPTION
VPSTP = High Density Shielded Twisted Pair Cable	-08, -12, -16, -24	-“XXXX” = Length in millimeters -1000, -3000, -5000	-01 = Pin 1 to Pin 1

NO. OF PAIRS	A	B	NO. OF POSITIONS
-08 & -12	(30,50) 1.201	(19,80) .780	36
-16	(36,00) 1.417	(25,40) 1.000	50
-24	(43,20) 1.701	(32,60) 1.283	68



Mates with:
VPSTP

SPECIFICATIONS

For complete specifications see
www.samtec.com?VRDPC

Insulator Material:
Liquid Crystal Polymer

Contact Material:
Phosphor Bronze

Shell Material: Zinc Alloy

Hood Material: Zinc Alloy or PVC

Contact Plating:
Sn or Au over 50µ" (1.27µm) Ni

Shell & Hood Plating: Ni

Operating Temp Range:
-55°C to +105°C

Current Rating: 1 A

Contact Resistance: < 15 mΩ

Insulation Resistance:
> 500 MΩ @ 500V

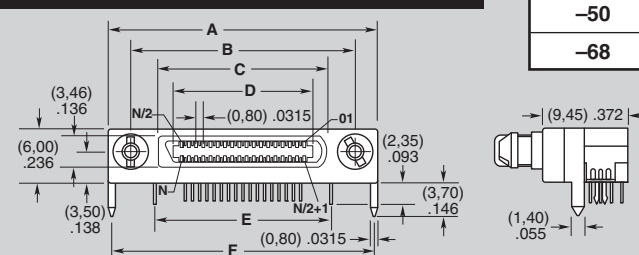
Dielectric Voltage:
500V @ 60 sec

RoHS Compliant: Yes

Note: Some lengths, styles and options are non-standard, non-returnable.

VRDPC	NO. OF POSITIONS	01	PLATING	TERMINATION
	-36 = 36 Positions / Mates with VPSTP 8 and 12 Pairs		-M = 15µ" (0,38µm) Gold on contacts, Matte Tin on tails	-RA = Right Angle
	-50 = 50 Positions / Mates with VPSTP 16 Pairs			
	-68 = 68 Positions / Mates with VPSTP 24 Pairs			

NO. OF POSITIONS	A	B	C	D	E	F
-36	(29,90) 1.177	(24,90) .980	(18,85) .742	(15,50) .610	(19,55) .770	(29,10) 1.146
-50	(35,50) 1.400	(30,50) 1.200	(24,45) .963	(21,10) .831	(25,15) .990	(34,70) 1.366
-68	(42,70) 1.681	(37,70) 1.484	(31,65) 1.246	(28,30) 1.114	(32,35) 1.274	(41,90) 1.650



Due to technical progress, all designs, specifications and components are subject to change without notice.

WWW.SAMTEC.COM

SAMTEC USA • Tel: 1-800-SAMTEC-9 or 812-944-6733 SAMTEC SILICON VALLEY • Tel: 408-395-5900 SAMTEC SOUTHERN CALIFORNIA • Tel: 1-800-726-8329
 SAMTEC AMERICA LATINA COMERCIO EXTERIOR LTDA • Tel: (+55 31) 3786 3227 SAMTEC UNITED KINGDOM • Tel: 44 01236 739292 SAMTEC GERMANY • Tel: +49 (0) 89 / 89460-0
 SAMTEC FRANCE • Tel: 33 01 60 95 06 60 SAMTEC ITALY • Tel: 39 039 8990337 SAMTEC NORDIC/BALTIC • Tel: +46-84477280 SAMTEC BENELUX • Tel: 44 01236 739292 SAMTEC ISRAEL • Tel: 972-3-7526600
 SAMTEC INDIA • Tel: +91-80-3272 1612 SAMTEC ASIA PACIFIC • Tel: 65 6745-5955 SAMTEC JAPAN • Tel: 045-475-1385 SAMTEC CHINA • Tel: 86-21-61103766 SAMTEC TAIWAN • Tel: 886-2-2735-6109
 Downloaded from Elcodis.com electro SAMTEC HONG KONG • Tel: 852-26804858 SAMTEC KOREA • Tel: 82-31-717-5685 SAMTEC ANZ • Tel: 613 9512 7747 SAMTEC SOUTH AFRICA • Tel: 27 11 452 8112

