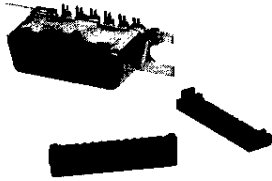


Shielded AMPLIMITE .050 Series Slimline Connectors (Continued)

Cable Connector, Plug



Part No. 750833-1

Material and Finish:

Housing and Termination

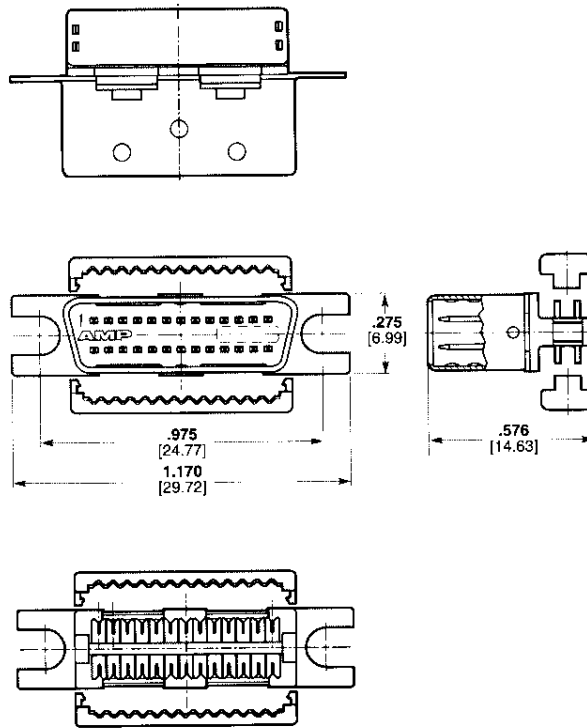
Covers—UL 94V-0 rated thermoplastic, black

Shell—Steel, plated bright tin-lead over copper

Contacts—Phosphor bronze, duplex plated .000030 [0.00076] min. gold on mating end, bright tin-lead on termination end, all underplated nickel

Bracket—Zinc, plated nickel over copper

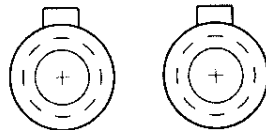
Recommended Wire Size—28 AWG [0.08 mm²] with max. O.D. .032 [0.813]. PVC or polyolefin insulation.



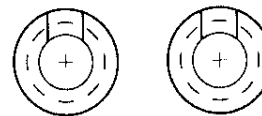
Note: Cable Connectors must be used with Backshell Kits. See page 34.

AMPLIMITE .050 Series Connectors, Series III

Keying Code, Receptacle



Keying Code, Plug



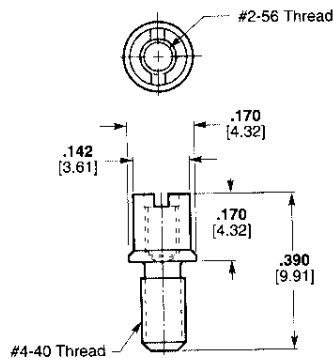
Position 1 (Up)

Accessories

Female Screwlock Kit

Material—Stainless Steel

Note: Female screwlocks to be used with connectors mounted to panels having a thickness of .047 [1.19]



| Part No. | Packaging |
|----------|--|
| 750831-1 | Individually Packed Kit (2 Screwlocks per kit) |

*Minimum order is 510 kits.