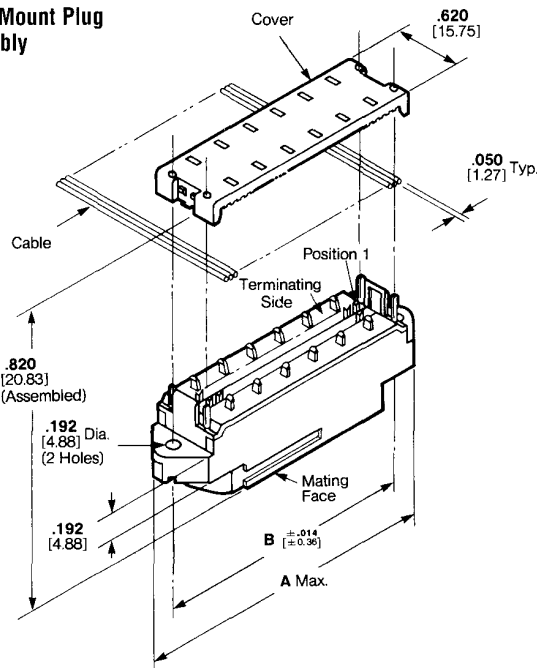
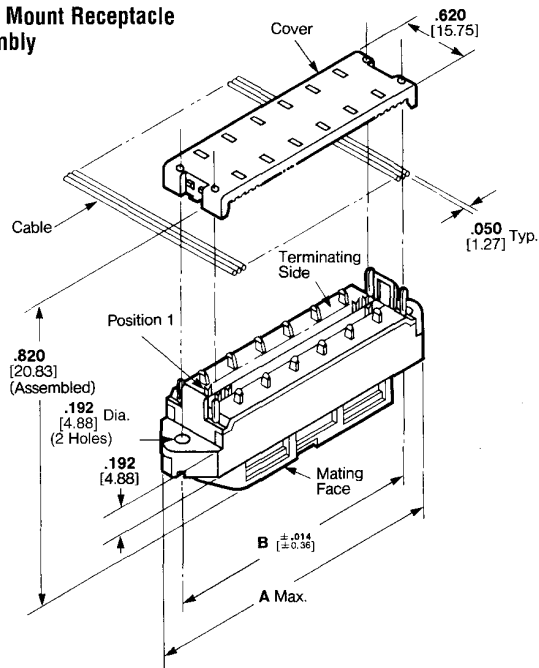


**Panel Mount Plug Assembly**

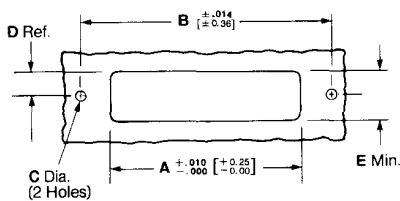


**Panel Mount Receptacle Assembly**



No. of Positions	Dimensions		Part Numbers				
	A	B	Bail Lock Plug Assembly	Screw Lock Plug Assembly	Screw Lock Receptacle Assembly	Panel Mount Plug Assembly	Panel Mount Receptacle Assembly
14	1.750 44.45	1.416 35.97	—	553596-1	553597-1	—	—
24	2.175 55.25	1.842 46.79	—	553598-1	553599-1	554103-1	554088-1
36	2.685 68.20	2.352 59.74	554084-1	553600-1	553601-1	—	554089-1
50	3.280 83.31	2.946 74.83	554085-1	553602-1	553603-1	—	554090-1

**Recommended Panel Cutout**



No. of Pos.	Front Panel Mount <sup>1</sup>					Rear Panel Mount <sup>2</sup>				
	A	B	C	D	E	A	B	C	D	E
14	1.063 27.00	1.416 35.97	.126 3.20	.320 8.13	.640 16.26	1.151 29.24	1.416 35.97	.149 3.78	.310 7.87	.620 15.75
24	1.488 37.80	1.842 46.79	.126 3.20	.320 8.13	.640 16.26	1.575 40.01	1.842 46.79	.149 <sup>3</sup> 3.78	.310 7.87	.620 15.75
36	2.000 50.80	2.352 59.74	.126 3.20	.320 8.13	.640 16.26	2.085 52.96	2.352 59.74	.149 3.78	.310 7.87	.620 15.75
50	2.700 68.58	2.946 74.83	.126 3.20	.320 8.13	.640 16.26	2.700 68.58	2.946 74.83	.149 3.78	.310 7.87	.620 15.75

Front Panel Mount Panel Thickness Range: .062-.125 [1.57-3.18].

Rear Panel Mount Panel Thickness Range: .062 [1.57] Max. Standard Hardware—.062-.093 [1.57-2.36] Metric Hardware.

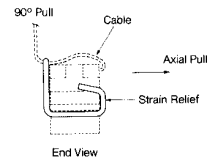
<sup>1</sup> For front panel mount application, install from the front of the panel to avoid excessive bending of the cable. Bending of the cable will occur if cable assembly is mounted from the rear of the panel.

<sup>2</sup> Screw Lock version only.

<sup>3</sup> For IEEE-488 applications, refer to preassembled shielded panel cutouts page 110.

**CHAMP Latch Cable Strain Relief Clip**

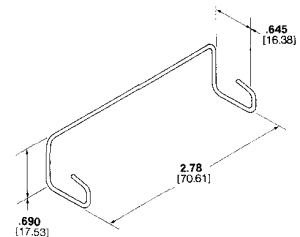
The CHAMP Latch Cable Strain Relief Clip, 50-position, is used only with a Low Profile Standard CHAMP Latch Connector.



The Strain Relief Clip snaps on the connector and over the cable. The clip provides a positive strain relief for cable in axial and 90° directions.

**Material**

Stainless steel wire, .050 [.127] diameter



**CHAMP Latch Cable Strain Relief Clip Part Number 554099-1**