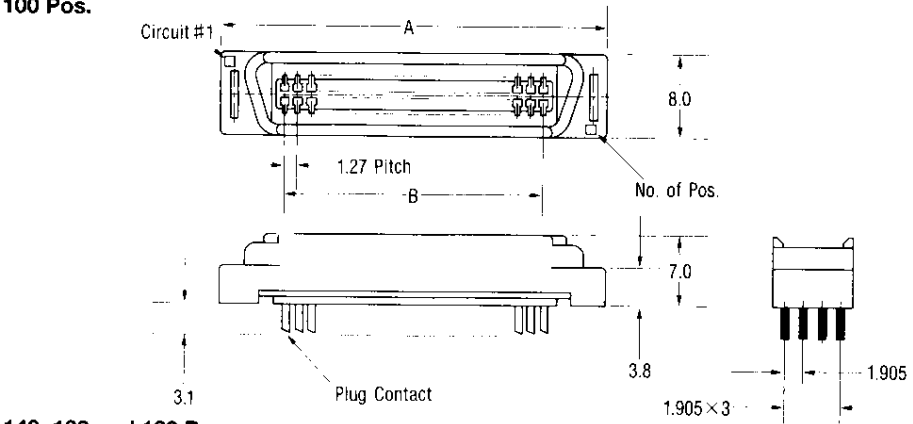


Board to Board Connectors FH (Free Height) 1.27mm Pitch Connectors/Solder Type Plug Assembly (Vertical Mount Type)

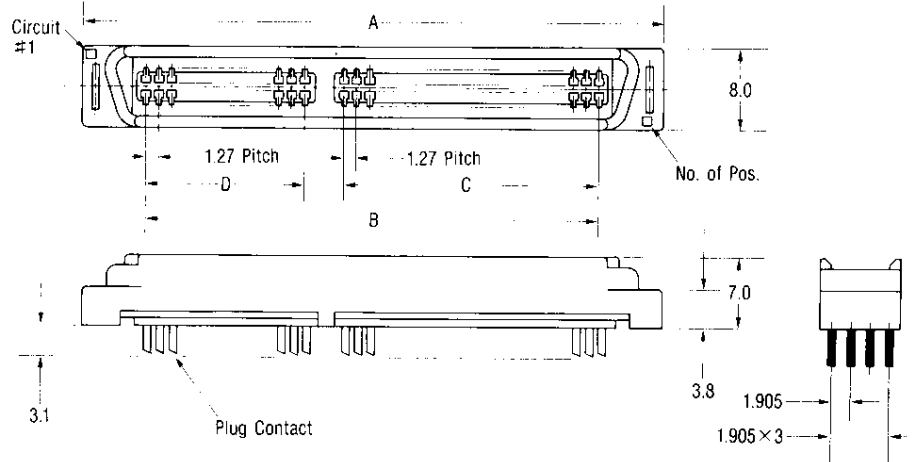
Material and Finish :

Housing—UL94V-0 rated, glass-filled thermoplastic, black
Contact—Phosphor bronze, 0.3µm min. gold on contact area, 1.0µm min. tin-lead plated or tin plated on leg area over 1.3µm min. nickel under-plated

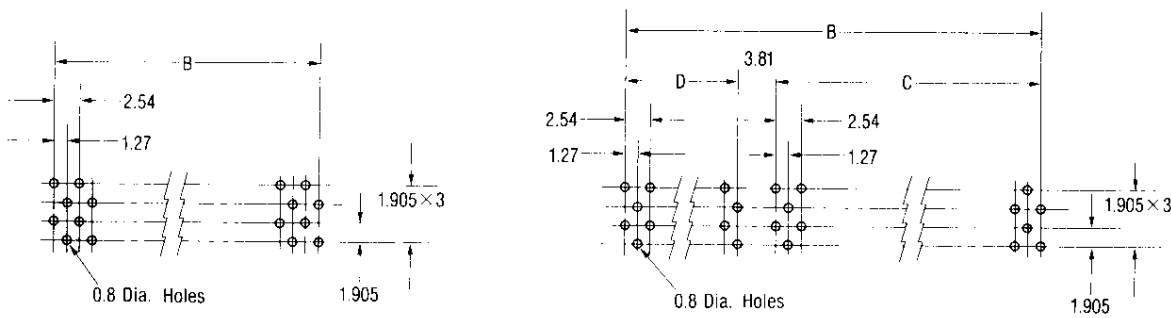
40, 60, 80 and 100 Pos.



120, 140, 160 and 180 Pos.



PC Board Layout



For 40, 60, 80 and 100 Pos.

For 120, 140, 160 and 180 Pos.

No. of Pos.	Dimensions				Part Number
	A	B	C	D	
40	36.8	24.13	—	—	917631-1
60	49.5	36.83	—	—	917631-2
80	62.2	49.53	—	—	917631-3
100	74.9	62.23	—	—	917631-4
120	90.1	77.47	49.53	24.13	917631-5
140	102.8	90.17	49.53	36.83	917631-6
160	115.5	102.87	62.23	36.83	917631-7
180	128.2	115.57	62.23	49.53	917631-8