

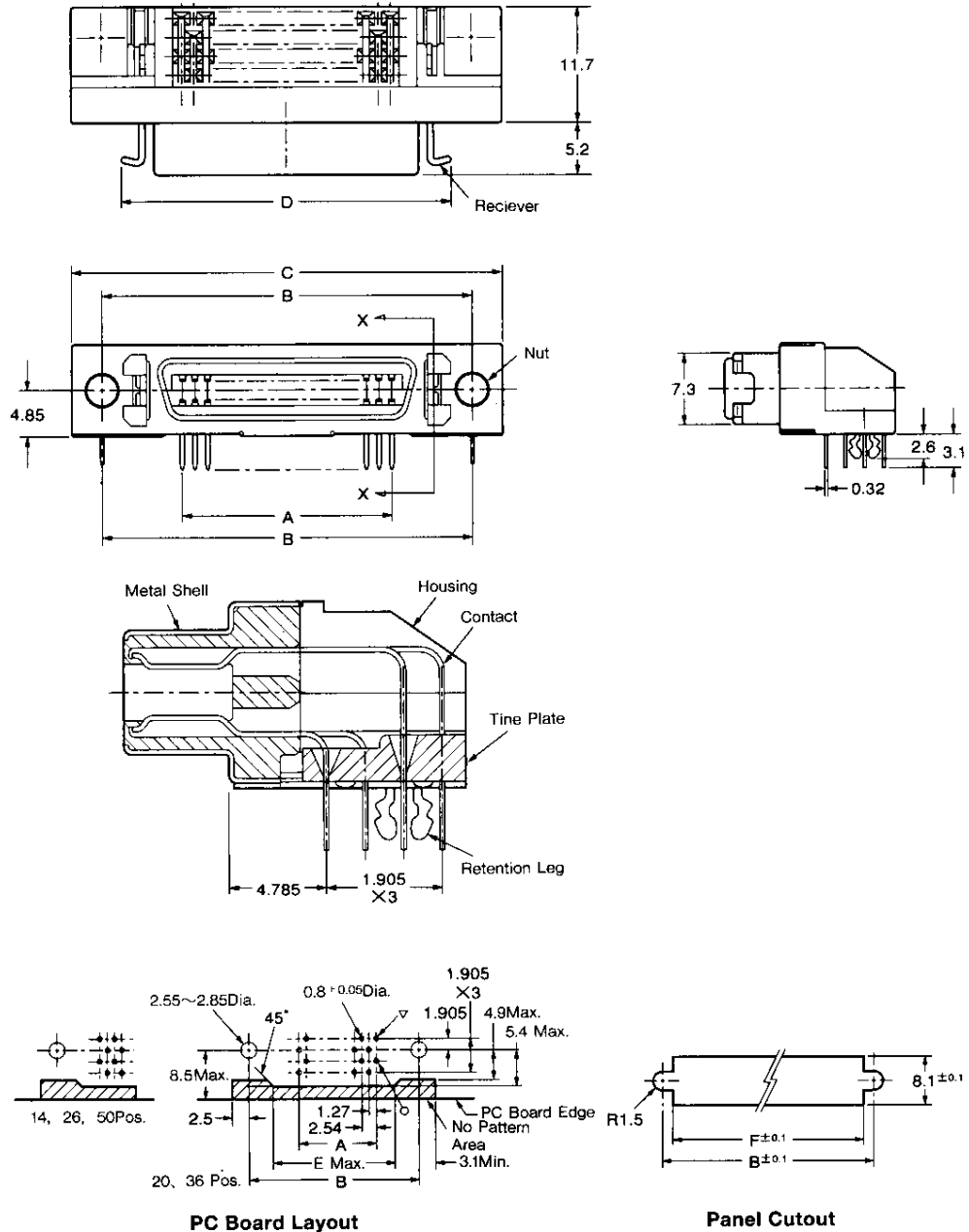
# Board to Board Connectors

## CHAMP 050 Series Connectors—Series II

### For Wire to Board Connection/Board Application Side

#### Front Metal Shell Horizontal Mount Type Receptacle Header Assemblies With Retention Leg

**Material and Finish:**  
Housing, Tine Plate—PBT  
(black) or PA6T (natural color)  
See table  
Metal Shell—Steel, nickel  
over underplated copper  
Receiver—Stainless steel  
Contacts—Copper alloy,  
0.1  $\mu$ m selective gold on  
contact area, tin-lead or tin  
on tine area, with underplated  
nickel  
Nut—Steel, zinc plating,  
bright chromate  
Retention Leg—Copper  
Alloy, tin-lead or tin over  
underplated nickel



No. of Pos.	Dimensions						Part Number	Material of Housing and Tine Plate
	A	B	C	D	E	F		
14	7.62	23.64	29.5	19.6	14.64	19.9	917738-1	PBT
20	11.43	27.45	33.4	23.5	18.45	23.8	917738-2	
26	15.24	31.26	37.2	27.3	22.26	27.6	917738-4	
36	21.59	37.61	43.5	33.6	28.61	33.9	917738-5	PA6T
							1-917738-5	
50	30.48	46.50	52.4	42.5	37.5	42.8	917738-7	PBT
							1-917738-7	