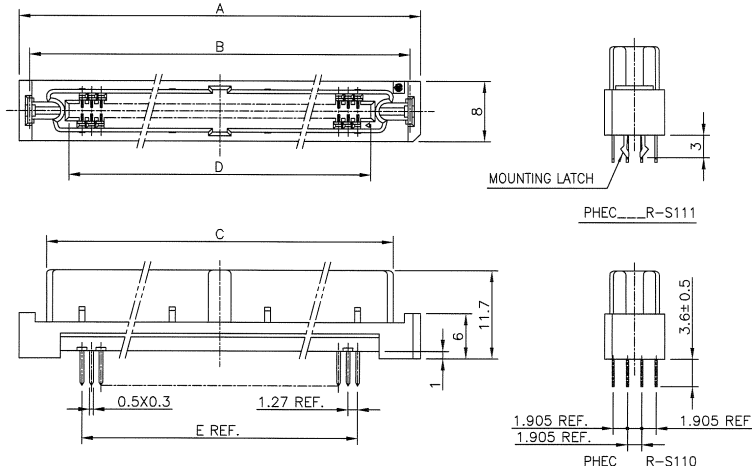
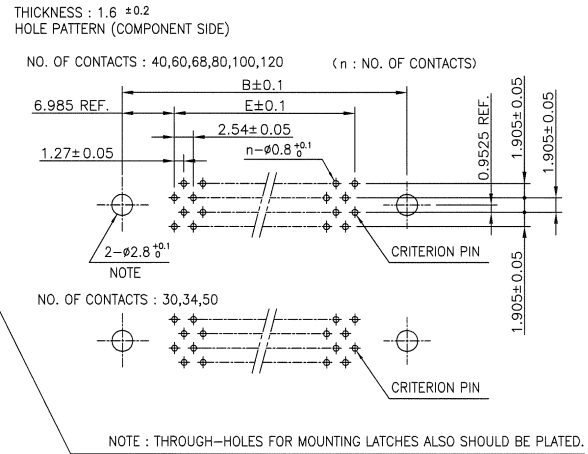


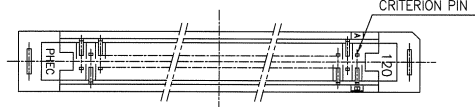
PRODUCT NO.  
JSC96357



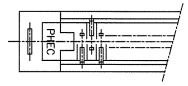
RECOMMENDED PC BOARD



NO. OF CONTACTS : 40,60,68,80,100,120



NO. OF CONTACTS : 30,34,50



CAT. NO.	NO. OF CONTACTS (MATING SIDE)	DIMENSIONS				
		A	B	C	D	E
PHEC30R-S11_LF	15/ROW X 2 ROWS	34.55	31.75	27.26	21.26	17.78
PHEC34R-S11_LF	17/ROW X 2 ROWS	37.09	34.29	29.80	23.80	20.32
PHEC40R-S11_LF	20/ROW X 2 ROWS	40.90	38.10	33.61	27.61	24.13
PHEC50R-S11_LF	25/ROW X 2 ROWS	47.25	44.45	39.96	33.96	30.48
PHEC60R-S11_LF	30/ROW X 2 ROWS	53.60	50.80	46.31	40.31	36.83
PHEC68R-S11_LF	34/ROW X 2 ROWS	58.68	55.88	51.39	45.39	41.91
PHEC80R-S11_LF	40/ROW X 2 ROWS	66.30	63.50	59.01	53.01	49.53
PHEC100R-S11_LF	50/ROW X 2 ROWS	79.00	76.20	71.71	65.71	62.23
PHEC120R-S11_LF	60/ROW X 2 ROWS	91.70	88.90	84.41	78.41	74.93

NOTES

- BODY MATERIAL : PBT GLASS FILLED (UL94V-0), COLOR BLACK
- TERMINAL MATERIAL : PHOSPHOR BRONZE
- MOUNTING LATCH MATERIAL : PHOSPHOR BRONZE
- TERMINAL FINISH  
CONTACT AREA : GOLD FLASH 0.1µm min. OVER NICKEL UNDERLAYER  
SOLDER TAILS : PURE Sn 2µm min. OVER NICKEL UNDERLAYER
- MOUNTING LATCH FINISH : PURE Sn 2µm min. OVER NICKEL UNDERLAYER
- THIS PRODUCT MEETS EUROPEAN UNION DIRECTIVES AND OTHER COUNTRY REGULATIONS AS DESCRIBED IN GS-22-008
- THE HOUSING WILL WITHSTAND EXPOSURE TO 260 DEGREE PEAK TEMPERATURE FOR 10 SECONDS IN A WAVE SOLDER APPLICATION WITH A 1.6mm MINIMUM THICK CIRCUIT BOARD.

mat'l. code ---				surface ISO 1302	tolerance ISO 408 ISO 1101	projection	product family PHEC	CODE JP
A	RELEASED	J05-0186	S.O	3/29/05	tolerances unless otherwise specified	MM	title PRINTED CIRCUIT CONNECTOR (CAT.NO.PHEC ___ R-S11_LF)	
B	REVISED	J07-0047	S.O	1/25/07	angles linear	MM	dwg no JSC96357 sheet 1 of 1 size A3	
C	REVISED	J07-0458	S.O	9/11/07	0°±2'	scale N/A	type Customer Drawing	
sheet index				dr S.OKUDAIRA 3/29/05	engr S.OKUDAIRA 9/11/07	chr R. S. Hsu 9/11/07	Rev. C	
revision sheet				app S. Okudaira 9/11/07				



Copyright FCI