

| PRODUCT NO. | CONNECTOR | DIM J | DIM K |
|-------------------|------------------|-------|-------|
| 10085305-0010ELF | 10085305-0010ALF | 56.4 | 62.4 |
| 10085305-0101ELF | 10085305-0101ALF | 56.4 | 62.4 |
| 10085305-0901ELF | 10085305-0901ALF | 56.4 | 62.4 |
| 10085305-0110ELF | 10085305-0110ALF | 56.4 | 62.4 |
| 10085305-0110PELF | 10085305-0110ALF | 44.4 | 50.4 |
| 10085305-2010ELF | 10085305-2010ALF | 56.4 | 62.4 |
| 10085305-2110ELF | 10085305-2110ALF | 56.4 | 62.4 |
| 10085305-2110PELF | 10085305-2110ALF | 44.4 | 50.4 |
| 10085305-2101ELF | 10085305-2101ALF | 56.4 | 62.4 |
| 10085305-4100ELF | 10085305-4100ALF | 56.4 | 62.4 |
| 10085305-4100PELF | 10085305-4100ALF | 44.4 | 50.4 |

NOTE

1. THIS ARTICLE CARRIES OUT THE EMBOSS TAPE PACKAGE OF THE SLIM LINE SATA CONNECTOR.
2. THE SHAPE AND DIMENSION OF THIS ARTICLE ARE BASED ON JIS C 0806.
(TAPING OF ELECTRIC PARTS < SURFACE MOUNTED DEVICE)
3. PACKAGING SPEC. : REFER TO GS-14-1268
4. PRODUCT SPEC. : REFER TO GS-12-543

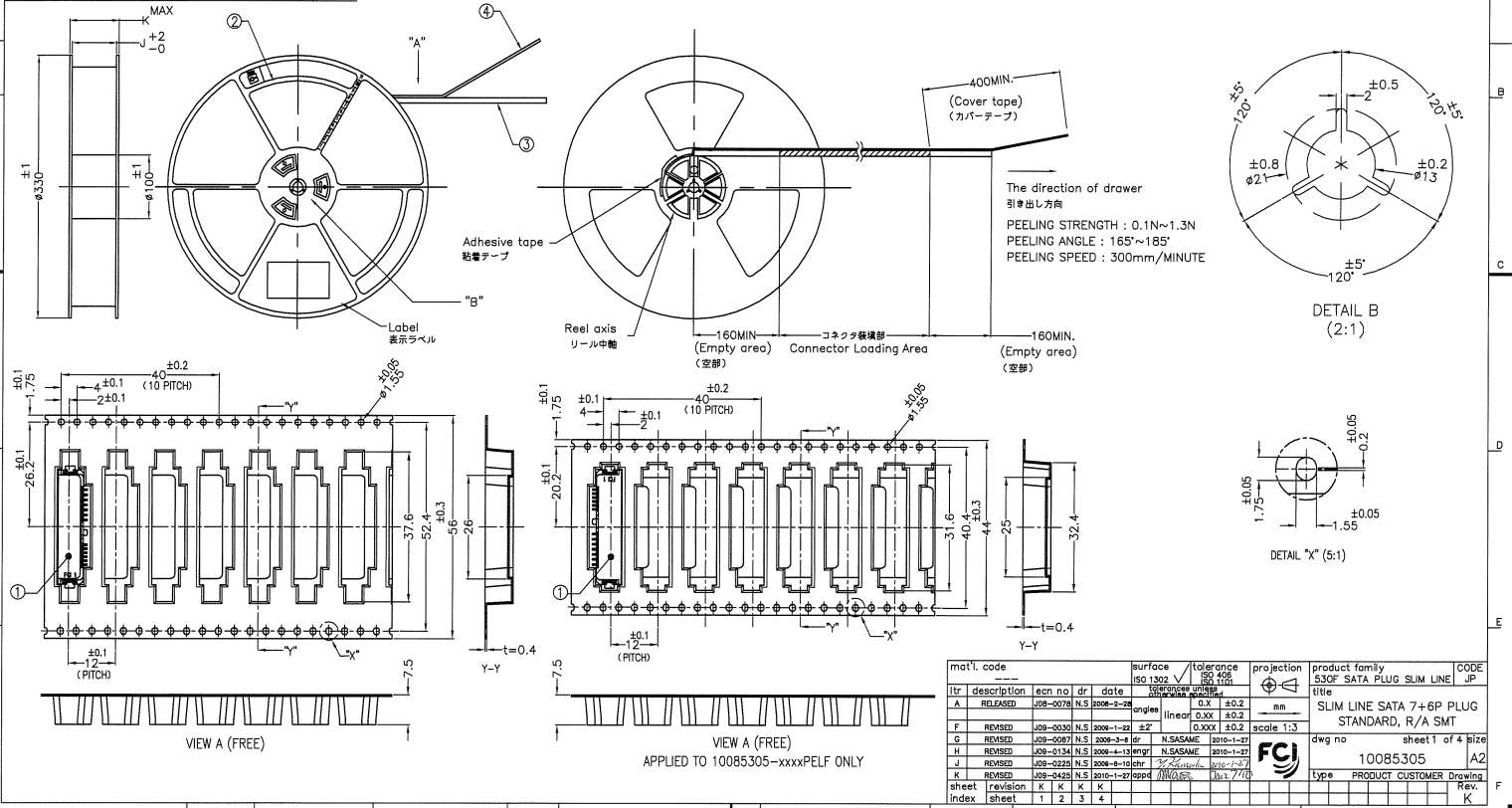
注記

1. 本品はスリムラインシリアルエーティーエーコネクタをエンボステープ梱包したものである。
2. 本品の形状及び寸法規定は JIS C 0806 (電子部品のテーピング (表面実装部品)) に準拠する。
3. 梱包規格は GS-14-1268 を参照のこと
4. 製品規格は GS-12-543 を参照のこと

EMBOSS PACKAGE

PARTS TABLE 部品表

| No. | PART NAME 部品名 | MATERIAL 材質 | QTY. | NOTE 備考 |
|-----|----------------------------------|-----------------------|------|---|
| ① | CONNECTOR コネクタ | SEE SHEET 2 | 600 | |
| ② | THE REEL FOR PACKAGING 梱包用リール | POLYSTYRENE ポリスチレン | 1 | Color : BLACK or BLUE ELECTRIFICATION PREVENTION PROCESSING 色 : 黒または青、帯電防止処理法 |
| ③ | EMBOSS TAPE エンボステープ | PET | 1 | ELECTRIFICATION PREVENTION PROCESSING 帯電防止処理法 |
| ④ | COVER TAPE カバーテープ | POLYESTER ポリエステル | 1 | |



| itr | description | ecm no | dr | date | surface | tolerance | projection | product family | CODE |
|-----|-------------|----------|-----|------------|----------|-----------|------------|---|------|
| A | RELEASED | 008-0078 | N.S | 2008-02-28 | iso 1302 | ISO 406 | 1:1 | SLIM LINE SATA PLUG SLIM LINE STANDARD, R/A SMT | JP |
| F | REVISED | 008-0030 | N.S | 2008-11-23 | linear | 0.05 | 1:3 | | |
| G | REVISED | 008-0087 | N.S | 2009-3-4 | linear | 0.05 | 1:3 | | |
| H | REVISED | 008-0124 | N.S | 2009-4-13 | linear | 0.05 | 1:3 | | |
| J | REVISED | 008-0228 | N.S | 2008-10-09 | linear | 0.05 | 1:3 | | |
| K | REVISED | 008-0428 | N.S | 2010-11-27 | linear | 0.05 | 1:3 | | |

CONNECTOR ASSY

| No. | Part name | QTY. | Note |
|-----|---------------------------------|------|---|
| ⑤ | HOUSING ハウジング | 1 | HIGH TEMP THERMOPLASTIC COLOR : BLACK , UL94V-0 |
| ⑥ | SIGNAL CONTACT シグナルコンタクト | 7 | COPPER ALLOY CONTACT AREA : Au SOLDERING AREA : Au or TIN |
| ⑦ | POWER CONTACT パワーコンタクト | 6 | COPPER ALLOY CONTACT AREA : Au SOLDERING AREA : Au or TIN |
| ⑧ | SOLDER PEG (CENTER) 溶剤金 (中央) | 1 | COPPER ALLOY TIN PLATING |
| ⑨ | SOLDER PEG (L&R) 溶剤金 (左、右) | 2 | COPPER ALLOY TIN PLATING |

<P/N composition> <P/N 構成>
100B5305 - X X X X X LF

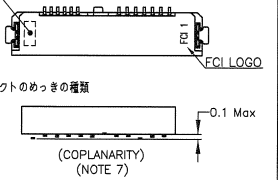
- LEAD-FREE
- PACKAGE SPEC
- E : 56mm WIDTH TAPE AND REEL (EMBOSS ASSY)
- PE : 44mm WIDTH TAPE AND REEL (EMBOSS ASSY)
- T : TRAY (TRAY ASSY)
- A : CONNECTOR ASSY (NOT PACKAGE)
- CONTACT TAIL LENGTH (DIM C)
- 0 : 1.0mm
- 1 : 0.7mm
- SIGNAL CONTACT TAIL WIDTH (DIM B)
- 0 : 0.35mm
- 1 : 0.40mm
- HSG BOSS LENGTH (DIM A)
- 0 : 1.0mm
- 1 : 0.7mm
- 9 : 0mm (WITHOUT BOSS)
- CONTACT PLATING (CONTACT AREA / SOLDERING AREA)
- 0 : GOLD FLASH (0.05μm) / TIN PLATING
- 1 : 0.38μm GOLD PLATING / TIN PLATING
- 2 : 0.76μm GOLD PLATING / TIN PLATING
- 3 : GOLD FLASH (0.05μm) / GOLD FLASH (0.05μm)
- 4 : 0.76μm GOLD PLATING / GOLD FLASH (0.05μm)

NOTE

- MATERIAL : SEE TABLE
- FINISH : SEE TABLE AND P/N COMPOSITION TABLE
- COPLANARITY : 0.1 MAX. (CONTACT AND SOLDER PEG)
- DATE CODE MARK : YY/MM/DD/XX XX IS USED TO MARK CONTACT PLATING SPEC.
"05" : FLASH, "15" : 15μ, "30" : 30μ

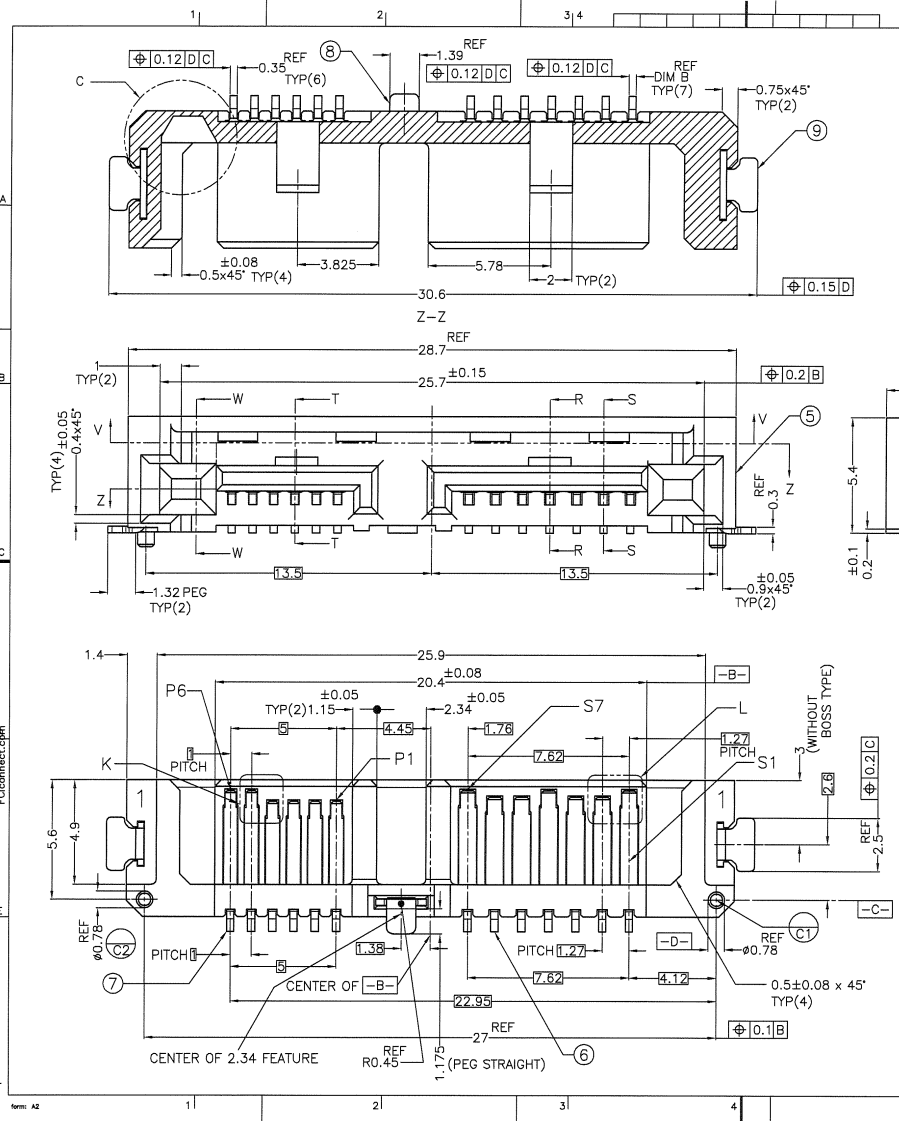
注記

- 材料 : 表参照
- めっき : 表及び型番構成参照
- コプラナリティ : 0.1以下 (端子、金具)
- デイトコード刻印 : YY/MM/DD/XX XXはコンタクトのめっきの種類
"05" : FLASH, "15" : 15μ, "30" : 30μ



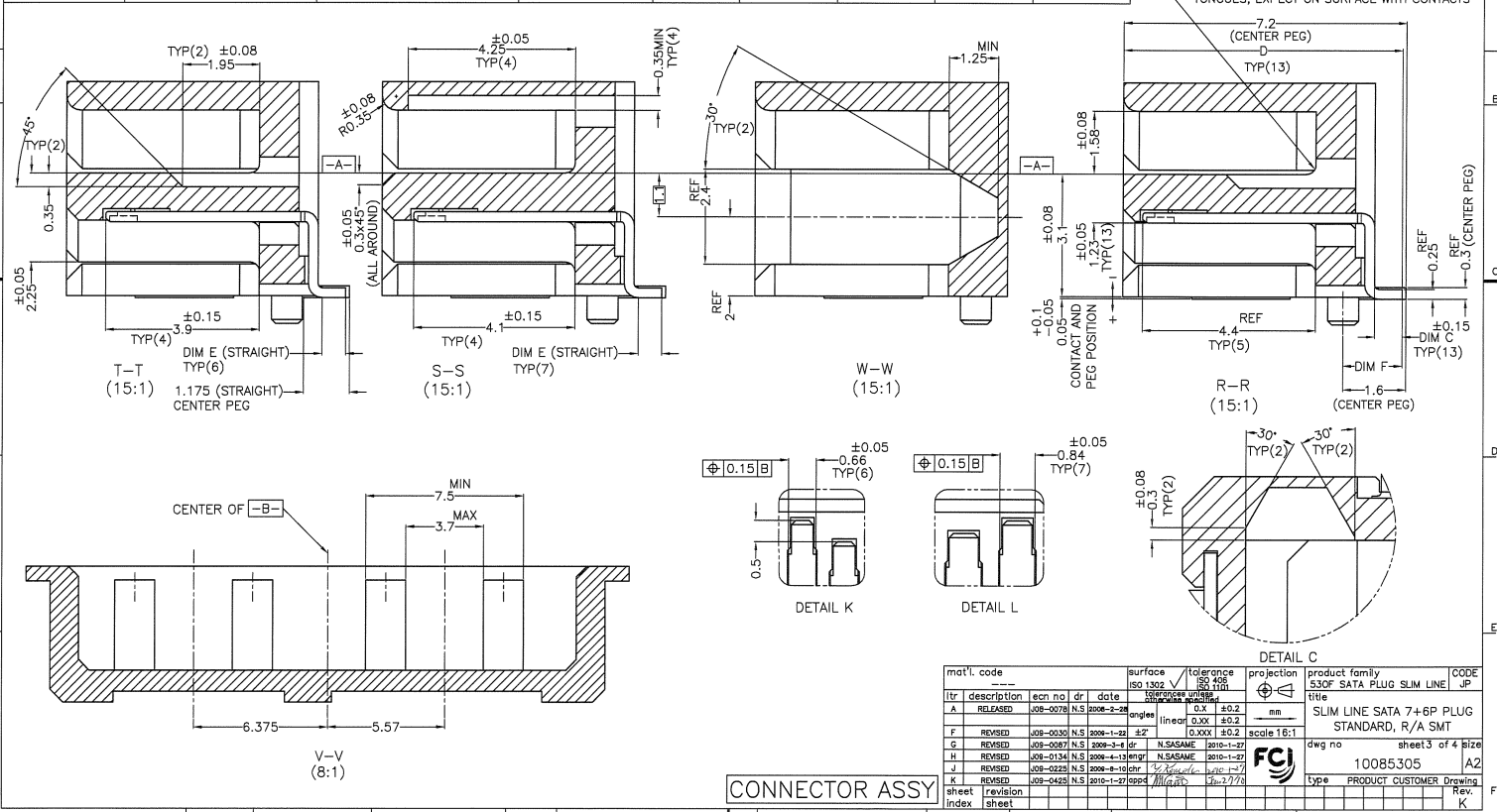
| itr | description | ecn | no | dr | date | surface | iso 1302 | tolerance | iso 408 | projection | product family | CODE |
|-----|-------------|----------|-----|------------|------|----------|-----------|-----------|---------|------------|--------------------------|------|
| A | RELEASED | 009-0078 | N.S | 2008-2-26 | | | | tolerance | mm | | 530F SATA PLUG SLIM LINE | JP |
| F | REVISED | 009-0030 | N.S | 2008-1-22 | ±2° | | 0.0XX | ±0.2 | mm | scale 8:1 | STANDARD, R/A SMT | |
| G | REVISED | 009-0087 | N.S | 2008-3-11 | gr | N.SASAME | 2010-1-27 | | | | 100B5305 | A2 |
| H | REVISED | 009-0134 | N.S | 2008-4-13 | eng | N.SASAME | 2010-1-27 | | | | | |
| J | REVISED | 009-0228 | N.S | 2008-10-01 | dr | 1/2寸ボス付 | 2010-1-27 | | | | | |
| K | REVISED | 009-2428 | N.S | 2010-11-27 | ppd | 1/2寸ボス付 | 2010-1-27 | | | | | |

PDM: Rev:K STATUS: Released Printed: Mar 24, 2010



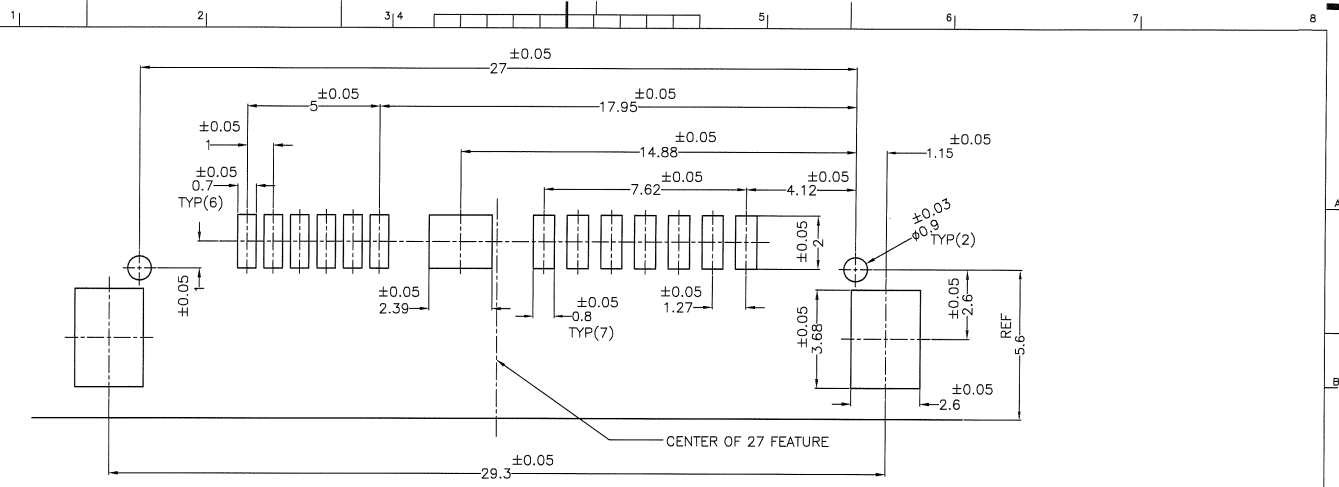
Copyright FCJ FCIconnect.com

| PRODUCT NO. | CONTACT AREA PLATING | SOLDERING AREA PLATING | HSG BOSS HEIGHT (DIM A) | TAIL WIDTH (DIM B) | TAIL LENGTH (DIM C) | TAIL LENGTH (DIM D) | TAIL LENGTH (DIM E) | TAIL LENGTH (DIM F) |
|------------------|----------------------------|-----------------------------|-------------------------|--------------------|---------------------|---------------------|---------------------|---------------------|
| 10085305-0010ALF | GOLD FLASH 0.05um[2u"] MIN | 1.91um [75u"] MIN. 100% TIN | 1.0mm | 0.4mm | 1.0mm | 7.4mm | 0.9mm | 1.8mm |
| 10085305-0101ALF | GOLD FLASH 0.05um[2u"] MIN | 1.91um [75u"] MIN. 100% TIN | 0.7mm | 0.35mm | 0.7mm | 7.1mm | 0.6mm | 1.5mm |
| 10085305-0901ALF | GOLD FLASH 0.05um[2u"] MIN | 1.91um [75u"] MIN. 100% TIN | ---- | 0.35mm | 0.7mm | 7.1mm | 0.6mm | 1.5mm |
| 10085305-0110ALF | GOLD FLASH 0.05um[2u"] MIN | 1.91um [75u"] MIN. 100% TIN | 0.7mm | 0.4mm | 1.0mm | 7.4mm | 0.9mm | 1.8mm |
| 10085305-2010ALF | GOLD 0.76um[30u"] MIN | 1.91um [75u"] MIN. 100% TIN | 1.0mm | 0.4mm | 1.0mm | 7.4mm | 0.9mm | 1.8mm |
| 10085305-2110ALF | GOLD 0.76um[30u"] MIN | 1.91um [75u"] MIN. 100% TIN | 0.7mm | 0.4mm | 1.0mm | 7.4mm | 0.9mm | 1.8mm |
| 10085305-2101ALF | GOLD 0.76um[30u"] MIN | 1.91um [75u"] MIN. 100% TIN | 0.7mm | 0.35mm | 0.7mm | 7.1mm | 0.6mm | 1.5mm |
| 10085305-4100ALF | GOLD 0.76um[30u"] MIN | GOLD FLASH 0.05um[2u"] MIN | 0.7mm | 0.35mm | 1.0mm | 7.4mm | 0.9mm | 1.8mm |

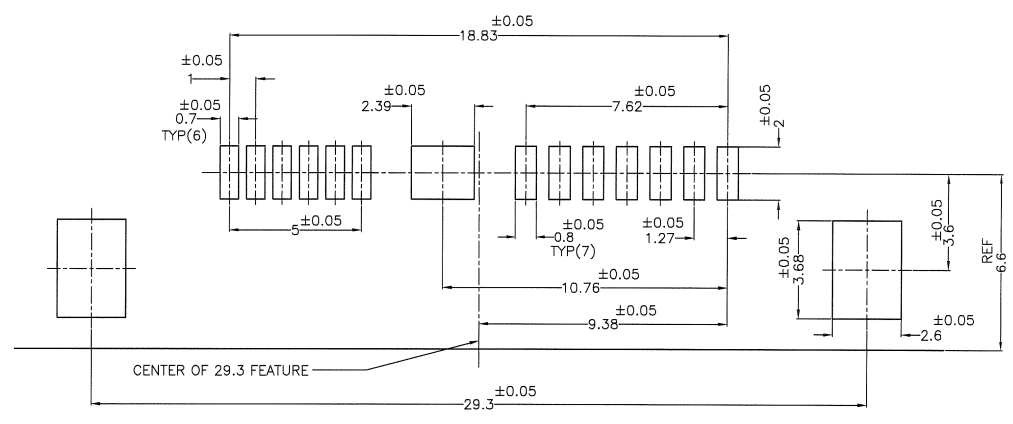


| ltr | description | ecr no | dr | date | surface | tolerance | projection | product family | CODE |
|-----|-------------|----------|----|-----------|----------|-----------|------------|--|------|
| A | RELEASED | 008-0078 | NS | 2008-2-28 | iso 1302 | iso 408 | 1st angle | 530F SATA PLUG SLIM LINE | JP |
| F | REVISED | 009-0030 | NS | 2009-1-23 | linear | 0.2X | mm | SLIM LINE SATA 7+6P PLUG STANDARD, R/A SMT | |
| G | REVISED | 009-0087 | NS | 2009-3-8 | dr | 0.2XX | mm | | |
| H | REVISED | 009-0134 | NS | 2009-4-13 | dr | 0.2XX | mm | | |
| J | REVISED | 009-0228 | NS | 2009-8-03 | dr | 0.2XX | mm | | |
| K | REVISED | 009-0428 | NS | 2010-1-27 | dr | 0.2XX | mm | | |

CONNECTOR ASSY



RECOMMENDED PCB PATTERN LAYOUT (WITH BOSS TYPE)



RECOMMENDED PCB PATTERN LAYOUT (WITHOUT BOSS TYPE)

| itr | description | ecr no | dr | date | surface | tolerance | projection | product family | CODE |
|-------------|-------------|----------|-----|------------|----------|------------|------------|--|------|
| A | RELEASED | 108-0078 | N.S | 2008-2-28 | ISO 1302 | ISO 408 | ISO 1101 | 530F SATA PLUG SLIM LINE | JP |
| F | REVISED | 109-0030 | N.S | 2009-1-21 | linear | 0.XX ±0.2 | mm | SLIM LINE SATA 7+6P PLUG STANDARD, R/A SMT | |
| G | REVISED | 109-0087 | N.S | 2009-3-4 | dr | 0.00X ±0.2 | scale 10:1 | | |
| H | REVISED | 109-0134 | N.S | 2009-4-13 | dr | 0.00X ±0.2 | scale 10:1 | | |
| I | REVISED | 109-0223 | N.S | 2009-10-10 | dr | 0.00X ±0.2 | scale 10:1 | | |
| K | REVISED | 109-0423 | N.S | 2010-1-27 | ppp4 | 0.00X ±0.2 | scale 10:1 | | |
| sheet index | revision | sheet | | | | | | | |