

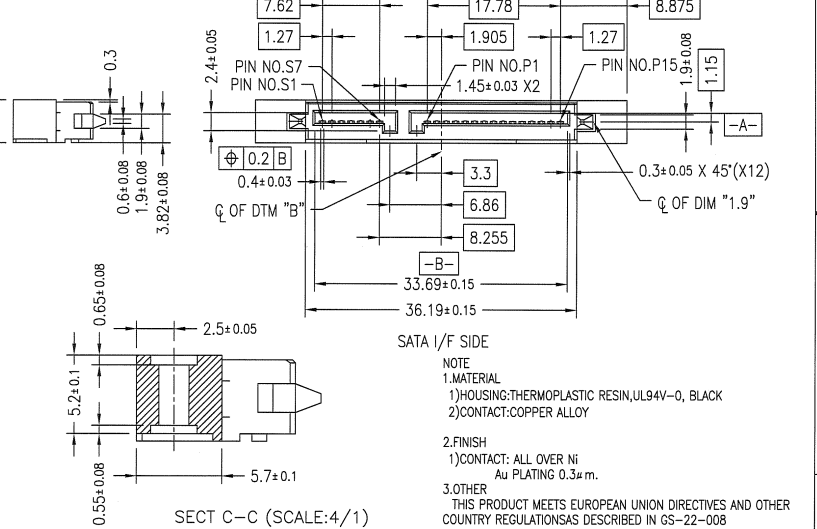
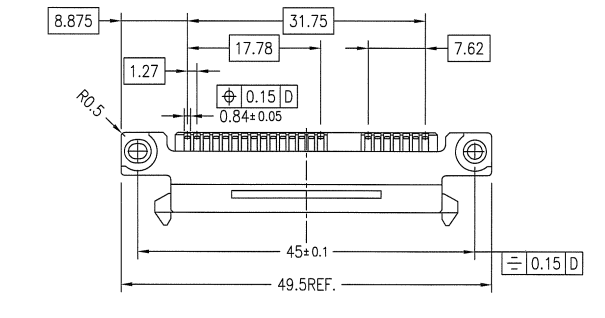
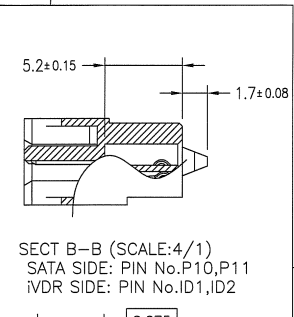
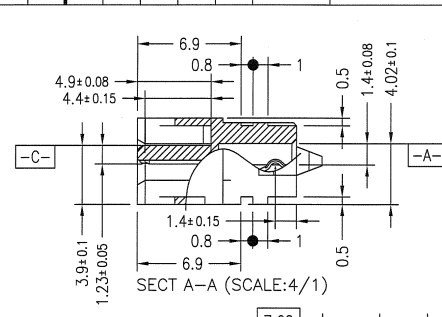
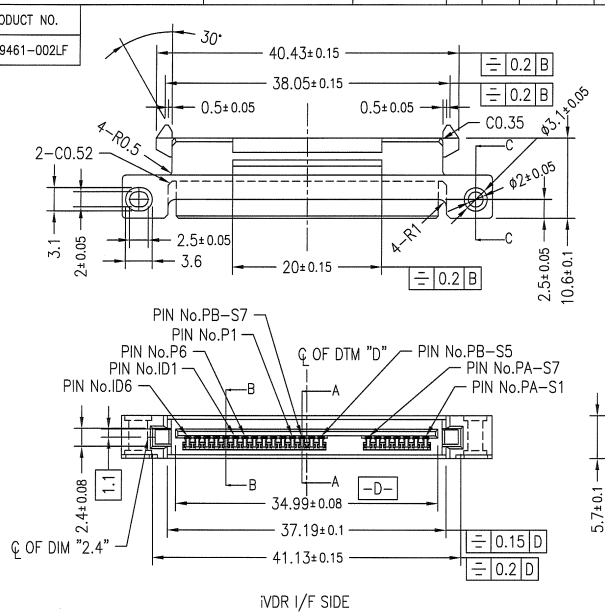


FCI CONFIDENTIAL

FCI

This document is the property of and embodies CONFIDENTIAL and PROPRIETARY information of FCI. No part of the information shown herein may be reproduced, stored in a retrieval system, or transmitted in any form or by any means, electronic, mechanical, photocopying, recording, or otherwise, without the written consent of FCI. Copyright FCI.

PRODUCT NO.  
10069461-002LF



NOTE  
 1. MATERIAL  
 1) HOUSING: THERMOPLASTIC RESIN, UL94V-0, BLACK  
 2) CONTACT: COPPER ALLOY  
 2. FINISH  
 1) CONTACT: ALL OVER Ni  
 Au PLATING 0.3µm.  
 3. OTHER  
 THIS PRODUCT MEETS EUROPEAN UNION DIRECTIVES AND OTHER COUNTRY REGULATIONS AS DESCRIBED IN GS-22-008

mat'l. code	surface	tolerance	projection	product family	CODE
	iso 1302	iso 406	MM	55SF REMOVABLE HDD	JP
ltr	description	ecn no	dr	date	title
B	RELEASED	J09-0151	Y.K	2009-4-15	ASS'Y SATA-IVDR PLUG CONNECTOR
					dwg no
					sheet 2 of 2 size
					10069461
					A3
sheet index	revision sheet				type
					Product Customer Drawing
					Rev. B