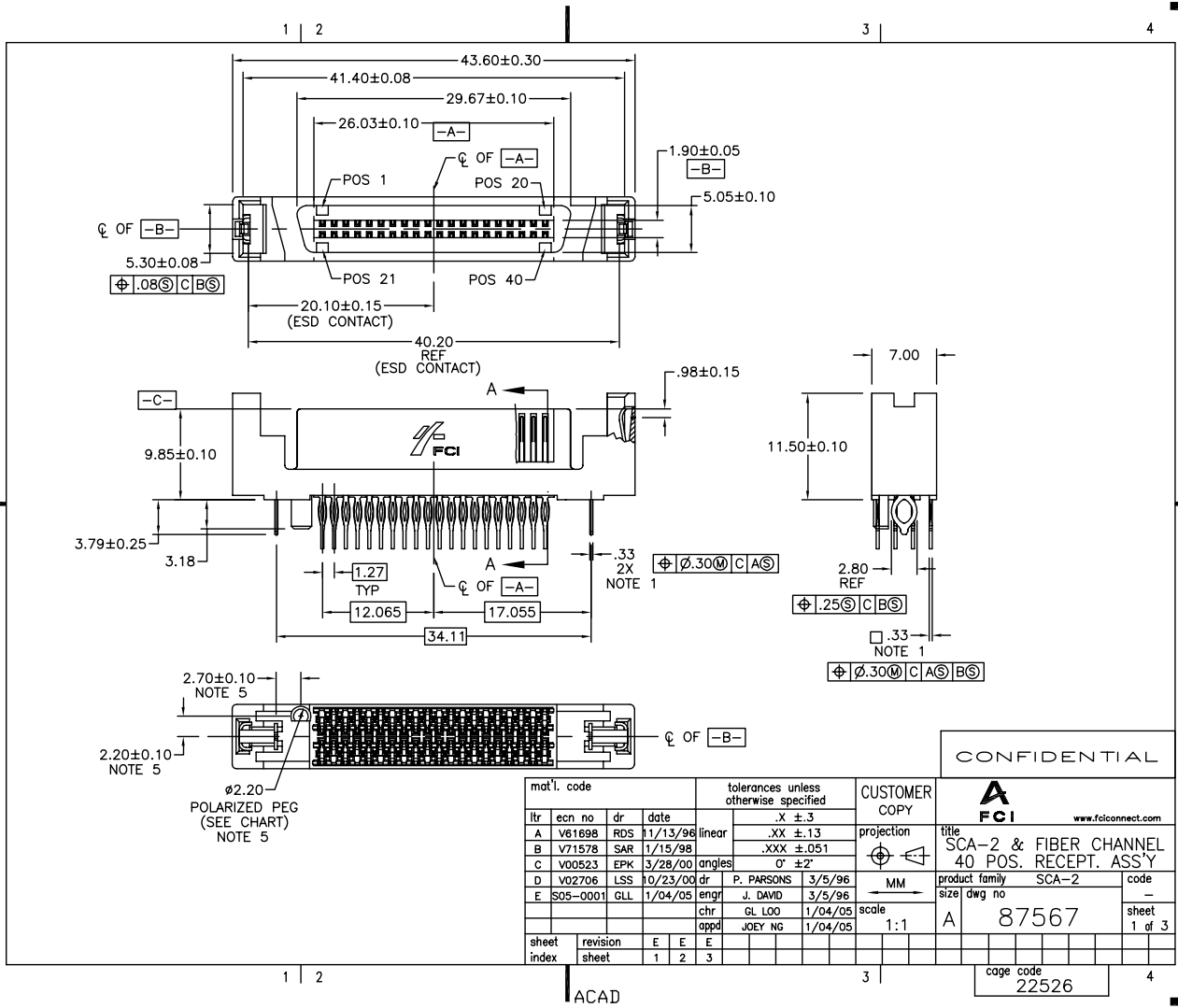


Tous droits strictement réservés. Reproduction ou communication e des tiers
 Interdite sous quelque forme que ce soit sans autorisation écrite du propriétaire.
 Property of FCI. Inrets de reproduction FCI.



All rights strictly reserved. Reproduction or issue to third parties in any
 form whatever is not permitted without written authority from the proprietor.
 Property of FCI. Copyright FCI.



CONFIDENTIAL

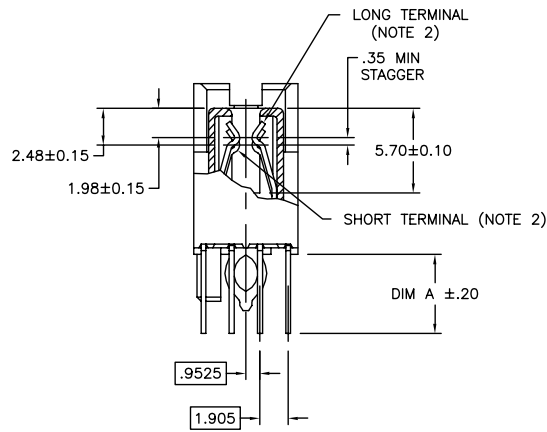
mat'l. code		tolerances unless otherwise specified		CUSTOMER COPY		www.fciconnect.com	
ltr	ecn no	dr	date	linear	projection	title	
A	V61698	RDS	11/13/98	.X ±.3		SCA-2 & FIBER CHANNEL	
B	V71578	SAR	1/15/98	.XX ±.13		40 POS. RECEPT. ASS'Y	
C	V00523	EPK	3/28/00	angles		product family	code
D	V02706	LSS	10/23/00	0' ±2'		SCA-2	-
E	S05-0001	GLL	1/04/05	chr	MM	size	dwg no
				appd	scale	A	87567
					1:1		sheet
sheet	revision	E	E	E			1 of 3
index	sheet	1	2	3			

cage code 22526

Tous droits strictement réservés. Reproduction ou communication e des tiers Interète sous quelque forme que ce soit sans autorisation écrite du propriétaire. Propriete de c FCI. Droits de reproduction FCI.



All rights strictly reserved. Reproduction or issue to third parties in any form whatever is not permitted without written authority from the proprietor. Property of FCI. Copyright FCI.



SECTION A-A

CONFIDENTIAL

mat'l. code		tolerances unless otherwise specified		CUSTOMER COPY		www.fciconnect.com	
ltr	ecn no	dr	date	linear	projection	title	
E				.X ±.3		SCA-2 & FIBER CHANNEL	
				.XX ±.13		40 POS. RECEPT. ASS'Y	
				.XXX ±.051		product family	code
				angles	MM	SCA-2	-
				dr	scale	size	sheet
				engr	2:1	87567	2 of
				chr			
				appd			
sheet index	revision sheet						

cage code 22526

ACAD

PDM: Rev:E

STATUS: Released

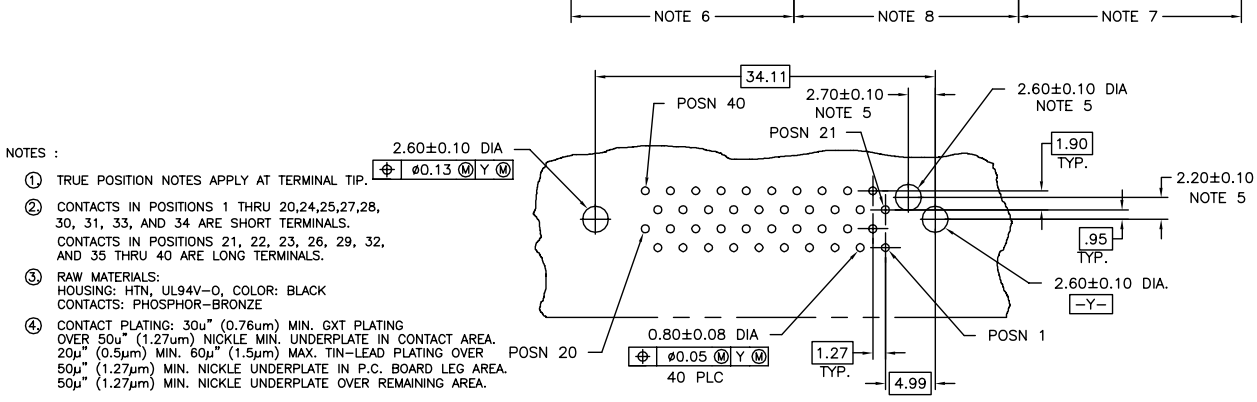
Printed: May 26, 2010

Tous droits strictement réservés. Reproduction ou communication à des tiers
Interdite sous quelque forme que ce soit sans autorisation écrite du propriétaire.
Property of FCI. Prohibits reproduction FCI.

FCI

All rights strictly reserved. Reproduction or issue to third parties in any
form whatsoever is not permitted without written authority from the proprietor.
Property of FCI. Copyright FCI.

PRODUCT NO.	"A" DIM	POLARIZATION PEG	PLATING	RECOMMENDED P.C. BOARD THICKNESS	PRODUCT NO.	PLATING	PRODUCT NO.	PLATING	PRODUCT NO.	PLATING
87567-001	3.79	YES	NOTE ④	2.36mm (0.093") AND 3.18mm (0.125")	87567-101	NOTE ⑥	87567-001LF	NOTE ⑧	87567-101LF	NOTE ⑦
-002	3.79	NO			-102		-002LF		-102LF	
-003	4.60	YES			-103		-003LF		-103LF	
87567-004	4.60	NO			87567-104		87567-004LF		87567-104LF	



NOTES :

- ① TRUE POSITION NOTES APPLY AT TERMINAL TIP.
- ② CONTACTS IN POSITIONS 1 THRU 20,24,25,27,28, 30, 31, 33, AND 34 ARE SHORT TERMINALS. CONTACTS IN POSITIONS 21, 22, 23, 26, 29, 32, AND 35 THRU 40 ARE LONG TERMINALS.
- ③ RAW MATERIALS:
HOUSING: HTN, UL94V-0, COLOR: BLACK
CONTACTS: PHOSPHOR-BRONZE
- ④ CONTACT PLATING: 30μ" (0.76μm) MIN. GXT PLATING OVER 50μ" (1.27μm) NICKLE MIN. UNDERPLATE IN CONTACT AREA. 20μ" (0.5μm) MIN. 60μ" (1.5μm) MAX. TIN-LEAD PLATING OVER 50μ" (1.27μm) MIN. NICKLE UNDERPLATE IN P.C. BOARD LEG AREA. 50μ" (1.27μm) MIN. NICKLE UNDERPLATE OVER REMAINING AREA.
- ⑤ DIMENSIONS DO NOT APPLY TO CONNECTOR STYLES WITHOUT POLARIZATION PEG. (SEE CHART)
- ⑥ CONTACT PLATING: 30μ" (0.76μm) MIN GOLD PLATING OVER 50μ" (1.27μm) NICKLE UNDERPLATE IN CONTACT AREA. 20μ" (0.5μm) MIN-60μ" (1.5μm) MAX TIN-LEAD PLATING OVER 50μ" (1.27μm) MIN. NICKLE UNDERPLATE IN P.C. BOARD LEG AREA. 50μ" (1.27μm) MIN. NICKLE UNDERPLATE OVER REMAINING AREA.
- ⑦ CONTACT PLATING: 30μ" (0.76μm) GOLD PLATING OVER 50μ" (1.27μm) NICKLE UNDERPLATE IN CONTACT AREA. 20μ" (0.5μm) - 60μ" (1.5μm) TIN PLATING OVER 50μ" (1.27μm) - 100μ" (2.54μm) NICKEL UNDERPLATE IN P.C. BOARD LEG AREA. 50μ" (1.27μm) NICKEL UNDERPLATE OVER REMAINING AREA.
- ⑧ CONTACT PLATING: 30μ" (0.76μm) GXT PLATING OVER 50μ" (1.27μm) NICKLE UNDERPLATE IN CONTACT AREA. 20μ" (0.5μm) - 60μ" (1.5μm) TIN PLATING OVER 50μ" (1.27μm) - 100μ" (2.54μm) NICKEL UNDERPLATE IN P.C. BOARD LEG AREA. 50μ" (1.27μm) NICKEL UNDERPLATE OVER REMAINING AREA.
- ⑨ THE HOUSING WILL WITHSTAND EXPOSURE TO 260°C PEAK TEMPERATURE FOR 10 SECONDS IN A CONVECTION, INFRA RED VAPOR PHASE REFLOW OVEN.
- ⑩ THIS PRODUCT MEETS EUROPEAN UNION DIRECTIVES AND OTHER COUNTRY REGULATIONS AS DESCRIBED IN GS-22-008.

RECOMMENDED PC BOARD MOUNTING DIMENSIONS COMPONENT SIDE

CONFIDENTIAL

mat'l. code				tolerances unless otherwise specified		CUSTOMER COPY		www.fciconnect.com	
ltr	ecn no	dr	date	linear	.XX ±.13	projection	MM	title	SCA-2 & FIBER CHANNEL 40 POS. RECEPT. ASSY
E				angles	.XXX ±.051	MM	product family	SCA-2	code
				dr	0° ±2°	scale	size	87567	sheet
				engr	P. PARSONS 3/5/96	2:1	dwg no		3 of 3
				chr	J. DAVID 3/5/96				
				appd	GL LOO 1/04/05				
					JOEY NG 1/04/05				
sheet index	revision sheet							cage code	22526

ACAT