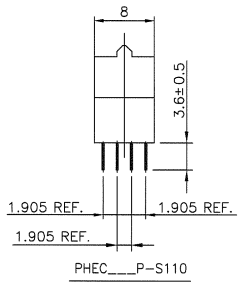
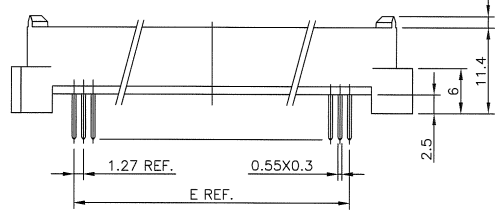
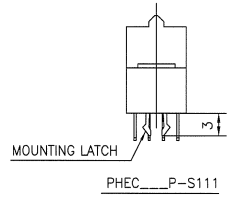
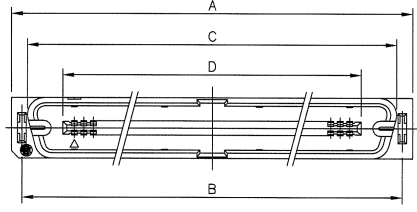
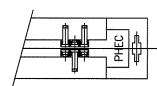


PRODUCT NO.
JSC 96356



NO. OF CONTACTS : 40,60,68,80,100,120

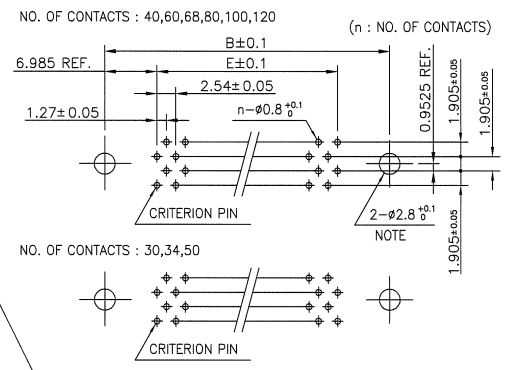
NO. OF CONTACTS : 30,34,50



NOTES

- BODY MATERIAL : NYLON GLASS FILLED (UL94V-0), COLOR BLACK
- TERMINAL MATERIAL : PHOSPHOR BRONZE
- MOUNTING LATCH MATERIAL : PHOSPHOR BRONZE
- TERMINAL FINISH
CONTACT AREA : GOLD FLASH 0.1µm min. OVER NICKEL UNDERLAYER
SOLDER TAILS : PURE Sn 2µm min. OVER NICKEL UNDERLAYER
- MOUNTING LATCH FINISH : PURE Sn 2µm min. OVER NICKEL UNDERLAYER
- THIS PRODUCT MEETS EUROPEAN UNION DIRECTIVES AND OTHER COUNTRY REGULATIONS AS DESCRIBED IN GS-22-008
- THE HOUSING WILL WITHSTAND EXPOSURE TO 260 DEGREE PEAK TEMPERATURE FOR 10 SECONDS IN A WAVE SOLDER APPLICATION WITH A 1.6mm MINIMUM THICK CIRCUIT BOARD.

RECOMMENDED PC BOARD
THICKNESS:1.6 ± 0.2
HOLE PATTERN (COMPONENT SIDE)



NO. OF CONTACTS : 30,34,50

NOTE : THROUGH-HOLES FOR MOUNTING LATCHES ALSO SHOULD BE PLATED

CAT. NO.	NO. OF CONTACTS (MATING SIDE)	DIMENSIONS				
		A	B	C	D	E
PHEC30P-S11_LF	15/ROW X 2 ROWS	34.55	31.75	30.30	20.42	17.78
PHEC34P-S11_LF	17/ROW X 2 ROWS	37.09	34.29	32.84	22.96	20.32
PHEC40P-S11_LF	20/ROW X 2 ROWS	40.90	38.10	36.65	26.77	24.13
PHEC50P-S11_LF	25/ROW X 2 ROWS	47.25	44.45	43.00	33.12	30.48
PHEC60P-S11_LF	30/ROW X 2 ROWS	53.60	50.80	49.35	39.47	36.83
PHEC68P-S11_LF	34/ROW X 2 ROWS	58.68	55.88	54.43	44.55	41.91
PHEC80P-S11_LF	40/ROW X 2 ROWS	66.30	63.50	62.05	52.17	49.53
PHEC100P-S11_LF	50/ROW X 2 ROWS	79.00	76.20	74.75	64.87	62.23
PHEC120P-S11_LF	60/ROW X 2 ROWS	91.70	88.90	87.45	77.57	74.93

mat'l. code	---	surface	ISO 1302	tolerance	ISO 408	projection	product family	PHEC	CODE	JP
ltr	description	ecn no	dr	date	tolerances unless otherwise specified	angles	linear	0.X	±0.3	MM
A	RELEASED	J05-0186	S.0	3/29/05		0°±2'	0.XXX	±0.3	scale	N/A
B	REVISED	J07-0047	S.0	1/25/07						
C	REVISED	J07-0458	S.0	9/11/07						
			dr	S.OKUDAIRA	3/29/05					
			enrg	S.OKUDAIRA	9/11/07					
			chr	R. Shrivastava	11/11/07					
			appd	P. Madhavan	9/11/07					
sheet index	revision sheet	C	1							

product family PHEC CODE JP
title PRINTED CIRCUIT CONNECTOR (CAT.NO.PHEC ___ P-S11_LF)
dwg no JSC 96356 sheet 1 of 1 size A3
type Customer Drawing Rev. C

FCI Copyright FCI FCIconnect.com