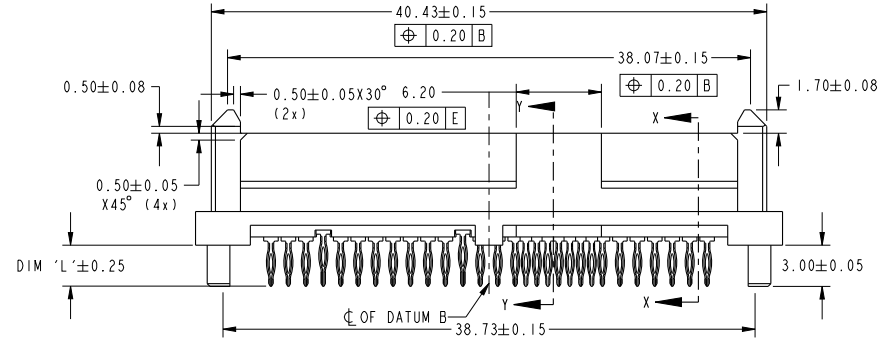
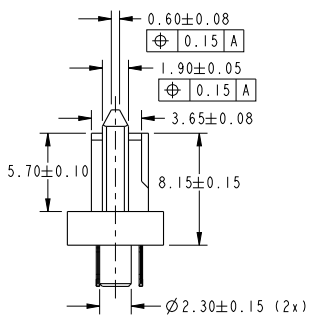
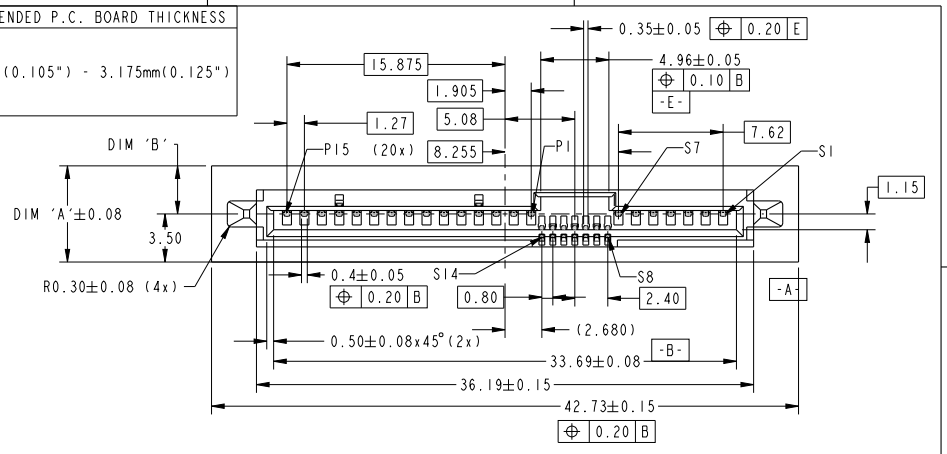


PRODUCT NO	DIM 'A'	DIM 'B'	DIM 'L'	PLATING	RECOMMENDED P.C. BOARD THICKNESS
10045782-001LF	7.00	3.50	3.50	NOTE 2	2.67mm (0.105") - 3.175mm(0.125")
10045782-011LF	6.00	2.50			
10045782-001	7.00	3.50		NOTE 3	
10045782-011	6.00	2.50			



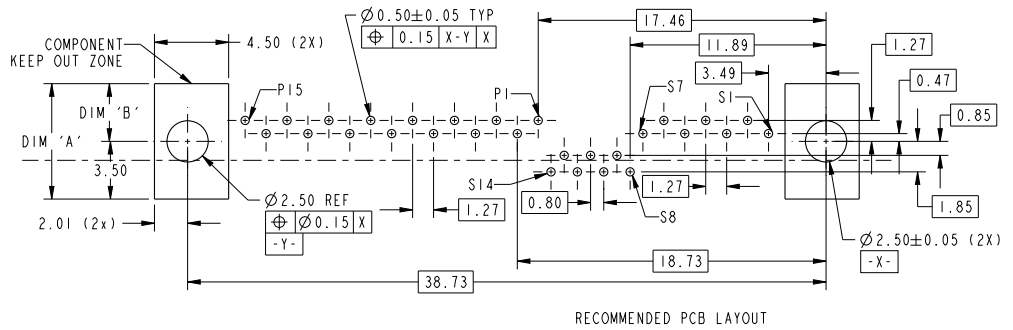
spec ref	SEE NOTES	dr	wcadmin	2005/10/11	projection	MM	size	A4	scale	3:1	
tolerance std	ASME Y14.5	eng	Koon-Poh Tay	2011/01/31			ecn no	ELX-S-002631-1			
TOLERANCES UNLESS OTHERWISE SPECIFIED		chr	-	-			product family	SAS	rel level	Released	
surface	linear	0.X	±0.2		SAS RECEPTACLE PF STAGGER		dwg no	10045782		rev	J
		0.XX	±0.2		www.fci.com	cat. no.	Product - Customer Drw	sheet 1 of 3			
	angular	0°	±2°								



Copyright FCI.

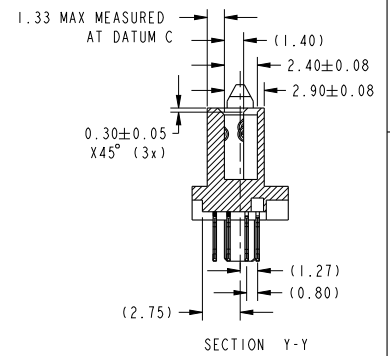
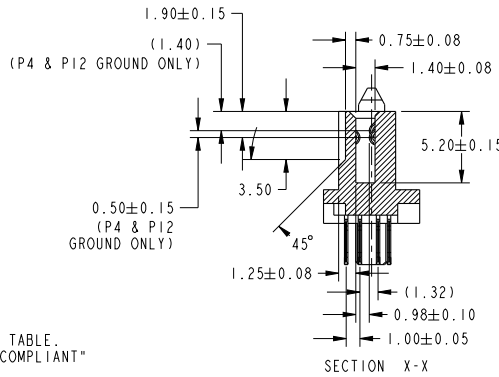
PAGE FILE - REV C - 2009-08-09

PRODUCT NO	SEE TABLE	
HOLE	A	REMARK
HOLE DIAMETER AFTER PLATING	0.45-0.55 mm	FOR -XXX & -XXXLF
DRILLED HOLE	0.58-0.62 mm	
COPPER PLATING	25-50 um	
Sn PLATING	5-15 um	FOR -XXXLF ONLY
Sn-Pb PLATING	5-15 um	FOR -XXX ONLY



NOTE:

- MATERIAL:
  - HOUSING: HIGH TEMPERATURE THERMOPLASTIC, UL 94V-0  
COLOUR: BLACK
  - TERMINAL: COPPER ALLOY
  - HOLD DOWN: COPPER ALLOY
- FINISH (LEAD-FREE):
  - TERMINAL: 30u" Au PLATING (CONTACT POINT) OVER 50u" NICKEL
  - PRESSFIT TAIL: 20u" MIN - 60u" MAX Sn OVER 50u" NICKEL
  - HOLD DOWN: 50u" min Sn OVER 50u" NICKEL
- FINISH (TIN LEAD):
  - TERMINAL: 30u" Au PLATING (CONTACT POINT) OVER 50u" NICKEL
  - PRESSFIT TAIL: 20u" MIN - 60u" MAX Sn-Pb OVER 50u" NICKEL
  - HOLD DOWN: 50u" min Sn-Pb OVER 50u" NICKEL
- PER SFF REV 1.4 EXCEPT 0.8mm PITCH BUMP AREA.
- THE HOUSING WILL WITHSTAND EXPOSURE TO 260°C PEAK TEMPERATURE FOR 10 SECONDS IN A CONVECTION, INFRA-RED OR VAPOR PHASE REFLOW OVEN.
- THIS PRODUCT MEETS EUROPE UNION DIRECTIVES AND OTHER COUNTRY REGULATIONS AS DESCRIBED IN GS-22-008.
- A  $\Delta$  SYMBOL WILL BE NEXT TO ANY DIMENSION, VIEW, OR NOTE WHICH HAS BEEN MODIFIED WITH THE CURRENT DRAWING REVISION.
- NOTE 6 NOT APPLICABLE TO TIN LEAD PLATING P/N XXXXXXX-XXX IN TABLE.
- TIN/LEAD PLATED PRESS-FIT CONNECTORS ARE CONSIDERED EU "ROHS COMPLIANT" WITH THE EXEMPTION ALLOWED FOR COMPLIANT PIN CONNECTORS.



spec ref	SEE NOTES	dr	wcadmin	2005/10/11	projection	MM	size	A4	scale	2:1
tolerance std	TOLERANCES UNLESS OTHERWISE SPECIFIED	eng	Koon-Poh Tay	2011/01/31		←→	ecn no	ELX-S-002631-1	rel level	Released
ASME Y14.5		chr	-	-						
surface	linear	appr	-	-	product family	SAS	rel level	Released		
	angular				title	SAS RECEPTACLE PF STAGGER	rel level	Released		
	0.X	±0.2		www.fci.com	cat. no.	Product - Customer Drw	rel level	Released	J	rev
	0.XX	±0.2								
	0.XXX	±0								
	0°	±2°								
dwg no							10045782		sheet 2 of 3	

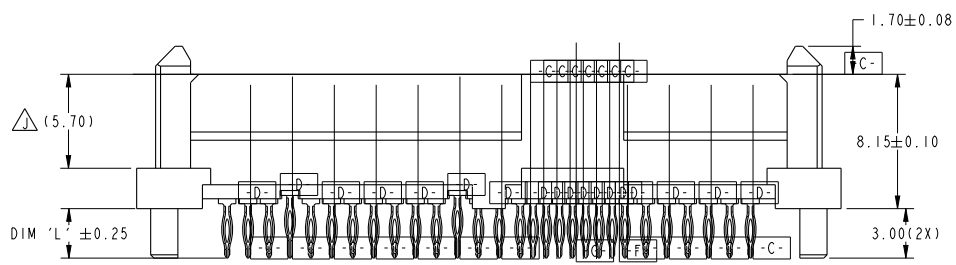
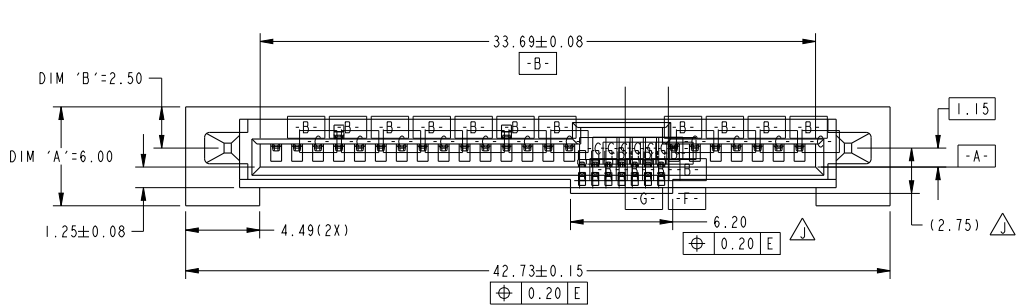
PDS File - REV C - 2008-08-09

PDS: Rev:J

STATUS:Released

Printed: Jan 31, 2011

PRODUCT NO	DIM 'A'	DIM 'B'	DIM 'L'	PLATING	RECOMMENDED P.C. BOARD THICKNESS
10045782-021LF	6.00	2.50	3.50	NOTE 2	2.67mm (0.105") - 3.175mm(0.125")
10045782-021				NOTE 3	



NOTES:  
ALL OTHER UNSPECIFIED DIMENSIONS, REFER TO SHEET 1 & 2

SCALE 3:1

spec ref	SEE NOTES	dr	wcadmin	2005/10/11	projection	MM	size	A4	scale	3:1													
tolerance std	TOLERANCES UNLESS OTHERWISE SPECIFIED	eng	Koon-Poh Tay	2011/01/31			ecn no	ELX-S-002631-1															
ASME Y14.5		chr	-	-			product family	SAS	rel level	Released													
surface	<table border="1"> <tr> <td>linear</td> <td>0.X</td> <td>±0.2</td> </tr> <tr> <td></td> <td>0.XX</td> <td>±0.2</td> </tr> <tr> <td></td> <td>0.XXX</td> <td>±0</td> </tr> <tr> <td>angular</td> <td>0°</td> <td>±2°</td> </tr> </table>	linear	0.X	±0.2		0.XX	±0.2		0.XXX	±0	angular	0°	±2°		title	SAS RECEPTACLE PF STAGGER			dwg no	10045782		rev	J
linear	0.X	±0.2																					
	0.XX	±0.2																					
	0.XXX	±0																					
angular	0°	±2°																					
		www.fci.com	cat. no.		Product - Customer Drw		sheet 3 of 3																



Copyright FCI.

PAGE FILE - REV C - 2009-08-09