

Board to Board Connectors

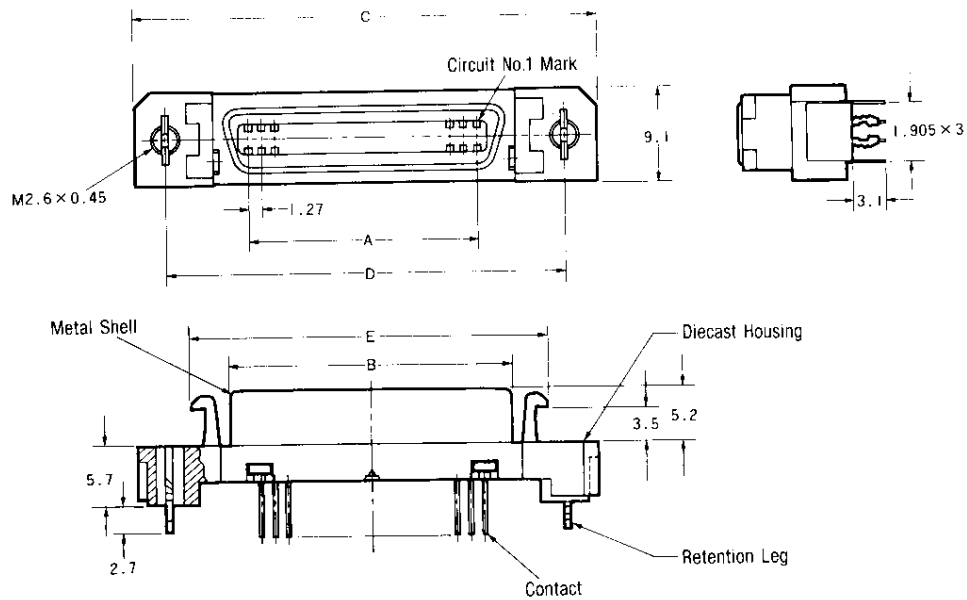
CHAMP 050 Series Connectors—Series II

For Wire to Board Connection

Vertical Mount Type Receptacle Header Assemblies

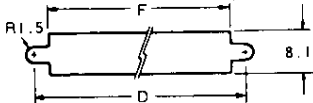
Material and Finish:

- Diecast Housing—zinc plated, nickel over underplated copper.
- Housing—UL94V-0 rated, thermoplastic, black.
- Shell—steel, nickel over underplated copper.
- Retention Leg—Brass, tin-lead or tin over underplated nickel.
- Contacts—Phosphor bronze, 0.3 μ m or 0.76 μ m min. selective gold on contact area, tin-lead or tin on tine area, with underplated nickel



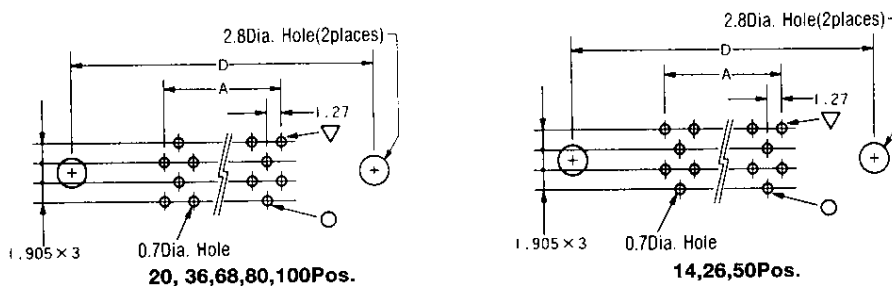
Panel Cutout

(applicable panel thickness: 2.0mm Max.)



PC Board Layout

(Required for solder resist on surface of PC board)
(Connector mount side)



No. of Pos.	Dimensions						Part Number			
	A	B	C	D	E	F	with Retention Leg		without Retention Leg	
							0.3 μ m thk. gold plated	0.76 μ m thk. gold plated	0.3 μ m thk. gold plated	0.76 μ m thk. gold plated
14	7.62	12.62	29.5	23.64	19.6	19.90	917334-1	2-917334-1	175887-1	2-175887-1
20	11.43	16.43	33.4	27.45	23.5	23.80	917334-2	2-917334-2	175887-2	2-175887-2
26	15.24	20.24	37.2	31.26	27.3	27.60	917334-4	2-917334-4	175887-4	2-175887-4
36	21.59	26.59	43.5	37.61	33.6	33.90	917334-5	2-917334-5	175887-5	2-175887-5
50	30.48	35.48	52.4	46.50	42.5	42.80	917334-7	2-917334-7	175887-7	2-175887-7
68	41.91	46.91	63.8	57.93	53.9	54.20	917334-8	2-917334-8	175887-8	2-175887-8
80	49.53	54.53	71.5	65.55	61.6	61.90	1-917334-0	3-917334-0	1-175887-0	3-175887-0
100	62.23	67.23	84.2	78.25	74.3	74.60	917334-9	2-917334-9	175887-9	2-175887-9