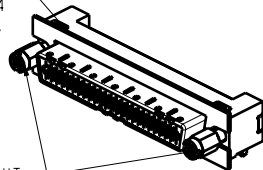


AVAILABLE WITH OR WITHOUT  
EMI GASKET. P/N 10019396-004  
CAN BE PURCHASED SEPARATELY.

AVAILABLE WITH OR WITHOUT  
THREADED STAND-OFFS.  
P/N 10009634-001 CAN BE  
PURCHASED SEPARATELY.  
2 REQUIRED PER CONNECTOR.



**FCJ**  
 Copyright FCJ.

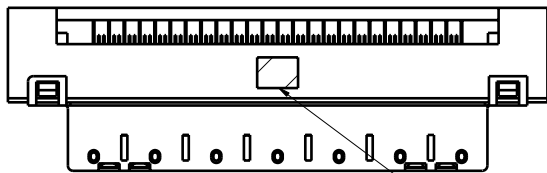
|  |  |                           |                             |                  |
|--|--|---------------------------|-----------------------------|------------------|
| www.fciconnect.com   |  | surface 3.2<br>ASME Y14.5 | tolerance std<br>ASME Y14.5 | projection<br>MM |
| TOLERANCES UNLESS OTHERWISE SPECIFIED                              |  | ANGULAR                   | LINEAR                      | size A4          |
|  |  | 0.X ±.3                   | 0.XX ±.10                   | Scale 5:2        |
|  |  | 0.XXX ±.050               | Product family EyeMax (tm)  | ECN 106-0123     |
|  |  |                           |                             | Spec ref -       |
| <b>FCJ</b><br>12X R/A THUMBSCREW RECEPT.<br>ASSEMBLY w/7 KEY SLOTS |  | part no                   | 10009626                    | Rev. G           |
| catalog no   |  | CUSTOMER                  |                             | sheet 1 of 8     |

| rev | ecn no   | dr  | date       |
|-----|----------|-----|------------|
| A   | V03-0845 | SIP | 2003/08/13 |
| B   | V03-0967 | DAT | 2003/09/29 |
| C   | V03-1232 | DAT | 2004/01/20 |
| D   | V04-0460 | DAT | 2004/06/08 |
| E   | V04-0830 | TAB | 2004/08/18 |
| F   | V04-0063 | TAB | 2005/02/15 |
| G   | 106-0123 | HVN | 2006/07/26 |

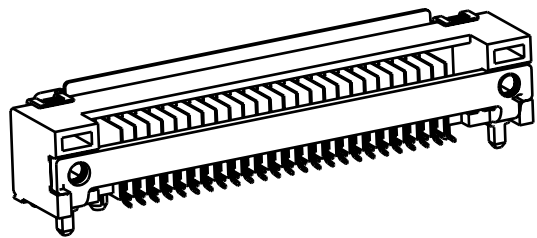
|      |           |            |
|------|-----------|------------|
| Dr   | G. PETERS | 2003/08/13 |
| Eng  | D. BRANN  | 2003/08/13 |
| Chr  | HIRAN V N | 2006/07/26 |
| Appr | HIRAN V N | 2006/07/26 |



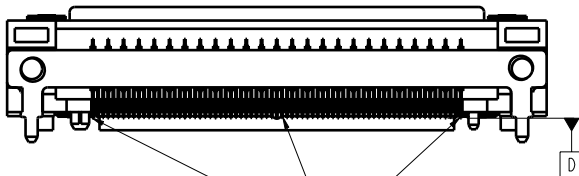
Copyright FCI.



CROSS HATCH AREA IS FOR VACUUM PICK & PLACE, REF. ONLY.



SCALE 2:1



0.13 D

COPLANARITY MEASUREMENT TO BE TAKEN AT BOTTOM MOST POINT ON CONTACT TAILS  
COPLANARITY ZONE IS BELOW DATUM D

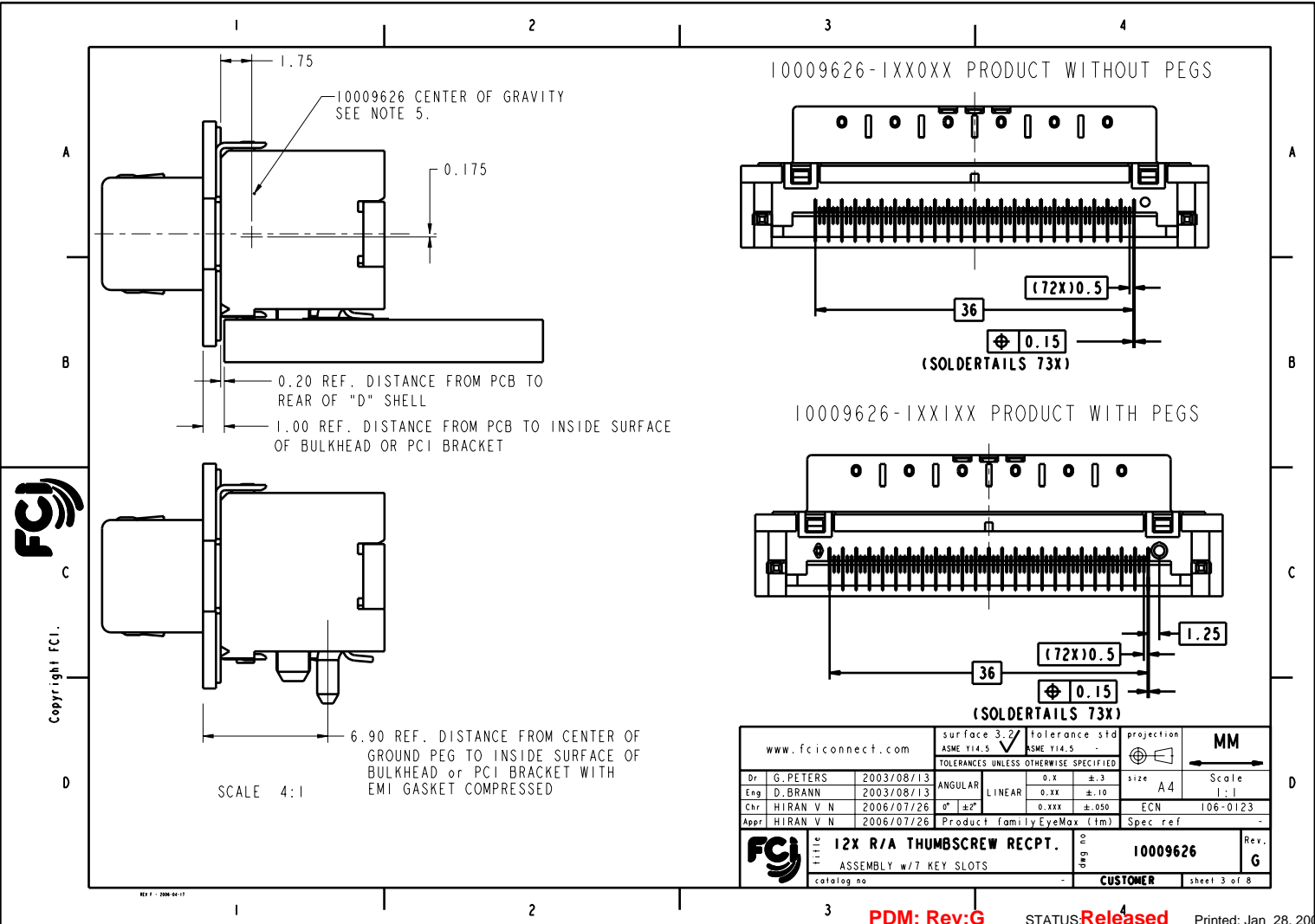
|                                       |  |   |  |                             |  |                            |  |
|---------------------------------------|--|---|--|-----------------------------|--|----------------------------|--|
| www.fciconnect.com                    |  | surface 3.2<br>ASME Y14.5                           |  | Tolerance std<br>ASME Y14.5 |  | projection<br>MM           |  |
| TOLERANCES UNLESS OTHERWISE SPECIFIED |  | ANGULAR   |  | 0.X ±.3                     |  | size A4 Scale 2:1          |  |
| Dr G. PETERS 2003/08/13               |  | LINEAR  |  | 0.XX ±.10                   |  | ECN 106-0123               |  |
| Eng D. BRANN 2003/08/13               |  | 0° ±°   |  | 0.XXX ±.050                 |  | Product family EyeMax (tm) |  |
| Chr HIRAN V N 2006/07/26              |  | Product family EyeMax (tm)                          |  | Spec ref                    |  | -                          |  |
| Appr HIRAN V N 2006/07/26             |  | -   |  | -                           |  | -                          |  |
| FCI logo                              |  | 12X R/A THUMBSCREW RECPT.<br>ASSEMBLY w/7 KEY SLOTS |  | part no<br>10009626         |  | Rev.<br>G                  |  |
| catalog no                            |  | CUSTOMER  |  | sheet 2 of 8                |  |                            |  |

REV. 1 2006-06-17

PDM: Rev:G

STATUS: Released

Printed: Jan 28, 2008

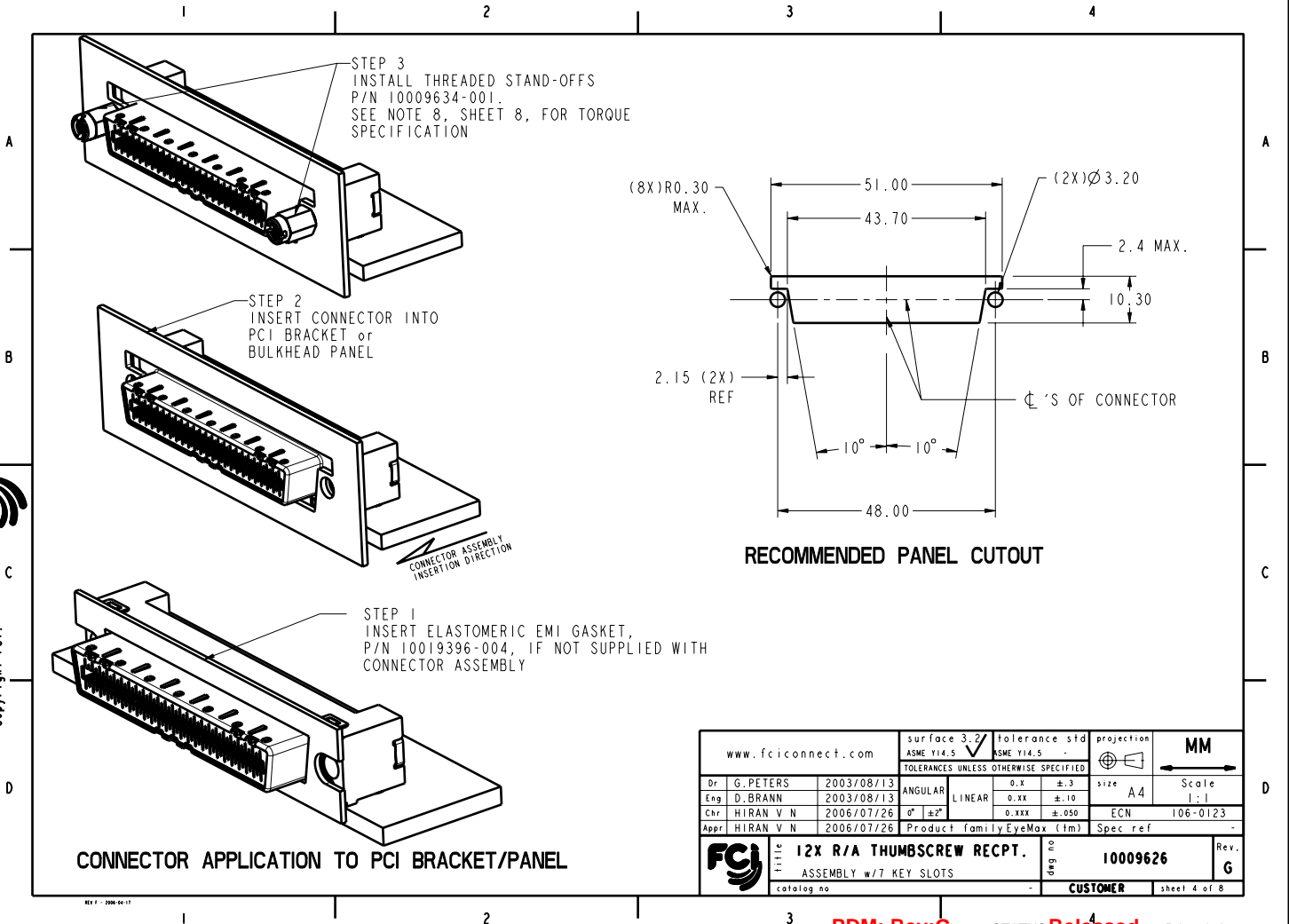


Copyright FCI.

|                                       |           |  |                             |                    |
|---------------------------------------|-----------|--|-----------------------------|--------------------|
| www.fciconnect.com                    |           | surface 3.2<br>ASME Y14.5                                  | Tolerance std<br>ASME Y14.5 | projection<br>MM   |
| TOLERANCES UNLESS OTHERWISE SPECIFIED |           |  |                             |                    |
| Dr                                    | G. PETERS | 2003/08/13   | ANGULAR                     | 0.X ±.3            |
| Eng                                   | D. BRANN  | 2003/08/13   | LINEAR                      | 0.XX ±.10          |
| Chr                                   | HIRAN V N | 2006/07/26   | 0° ±2°                      | 0.XXX ±.050        |
| Appr                                  | HIRAN V N | 2006/07/26   | Product family              | EyeMax (tm)        |
| size                                  |           | A4   |                             |                    |
| ECN                                   |           | 106-0123   |                             |                    |
| Spec ref                              |           |  |                             |                    |
|                                       |           | <b>12X R/A THUMBSCREW RECPT.</b><br>ASSEMBLY w/7 KEY SLOTS |                             | 10009626<br>Rev. G |
| catalog no.                           |           | CUSTOMER   |                             | sheet 3 of 8       |



Copyright FCJ.



CONNECTOR APPLICATION TO PCI BRACKET/PANEL

|   |            |                           |                             |                  |
|---|------------|---------------------------|-----------------------------|------------------|
| www.fciconnect.com                                      |            | surface 3.2<br>ASME Y14.5 | Tolerance std<br>ASME Y14.5 | projection<br>MM |
| TOLERANCES UNLESS OTHERWISE SPECIFIED                   |            | 0.X ±.3                   | size<br>A4                  | Scale<br>1:1     |
| Dr G. PETERS  | 2003/08/13 | ANGULAR                   | 0.XX ±.10                   | ECN 106-0123     |
| Eng D. BRANN  | 2003/08/13 | LINEAR                    | 0.XXX ±.050                 | Spec ref -       |
| Chr HIRAN V N   | 2006/07/26 | 0° ±°                     | Product family EyeMax (tm)  |                  |
| Appr HIRAN V N  | 2006/07/26 |                           |                             |                  |
| FCJ 12X R/A THUMBSCREW RECPT.<br>ASSEMBLY w/7 KEY SLOTS |            | part no                   | 10009626                    | Rev. G           |
| catalog no  |            | CUSTOMER                  |                             | sheet 4 of 8     |

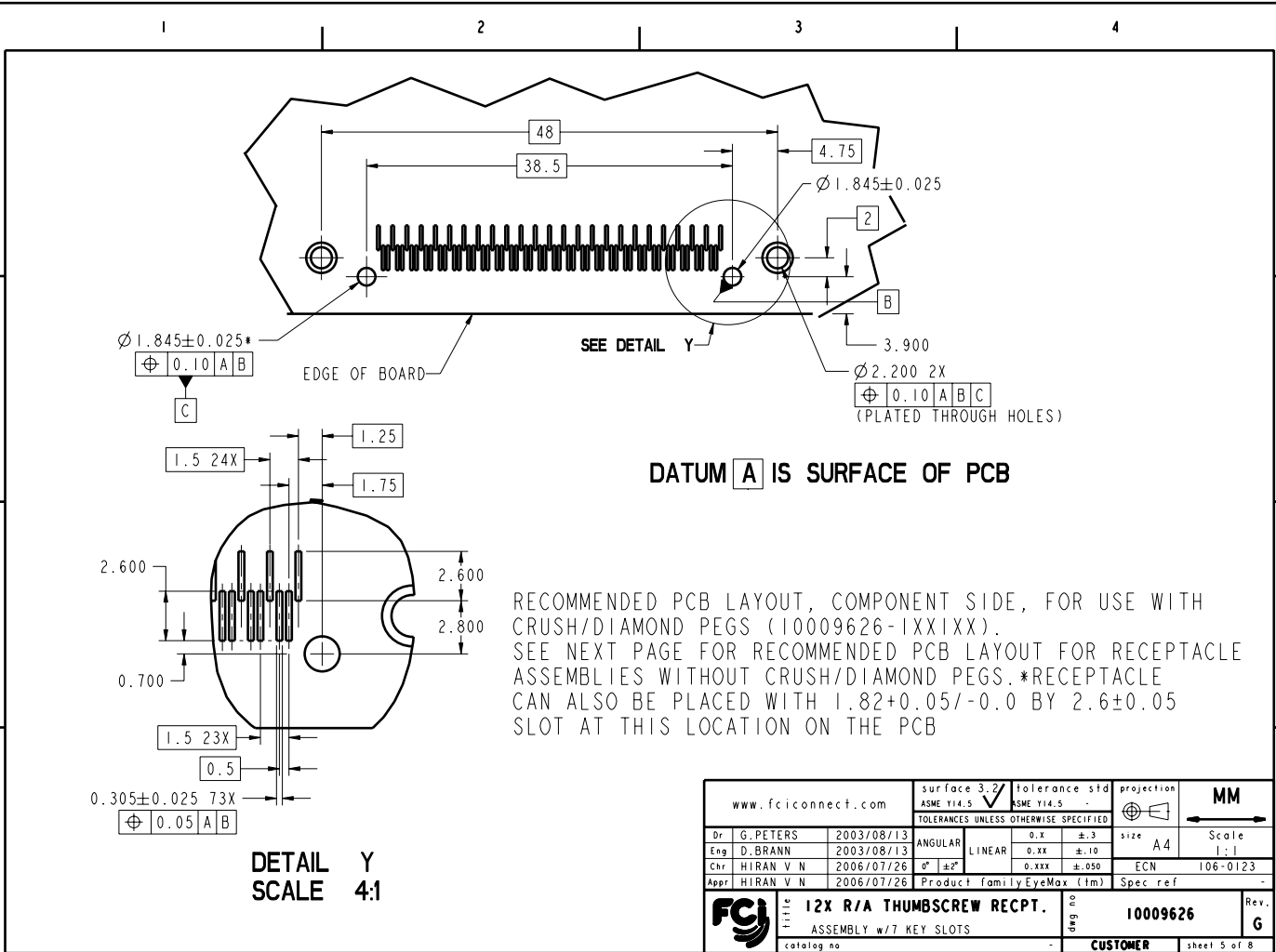
PDM: Rev:G

STATUS: Released

Printed: Jan 28, 2008



Copyright FCI.

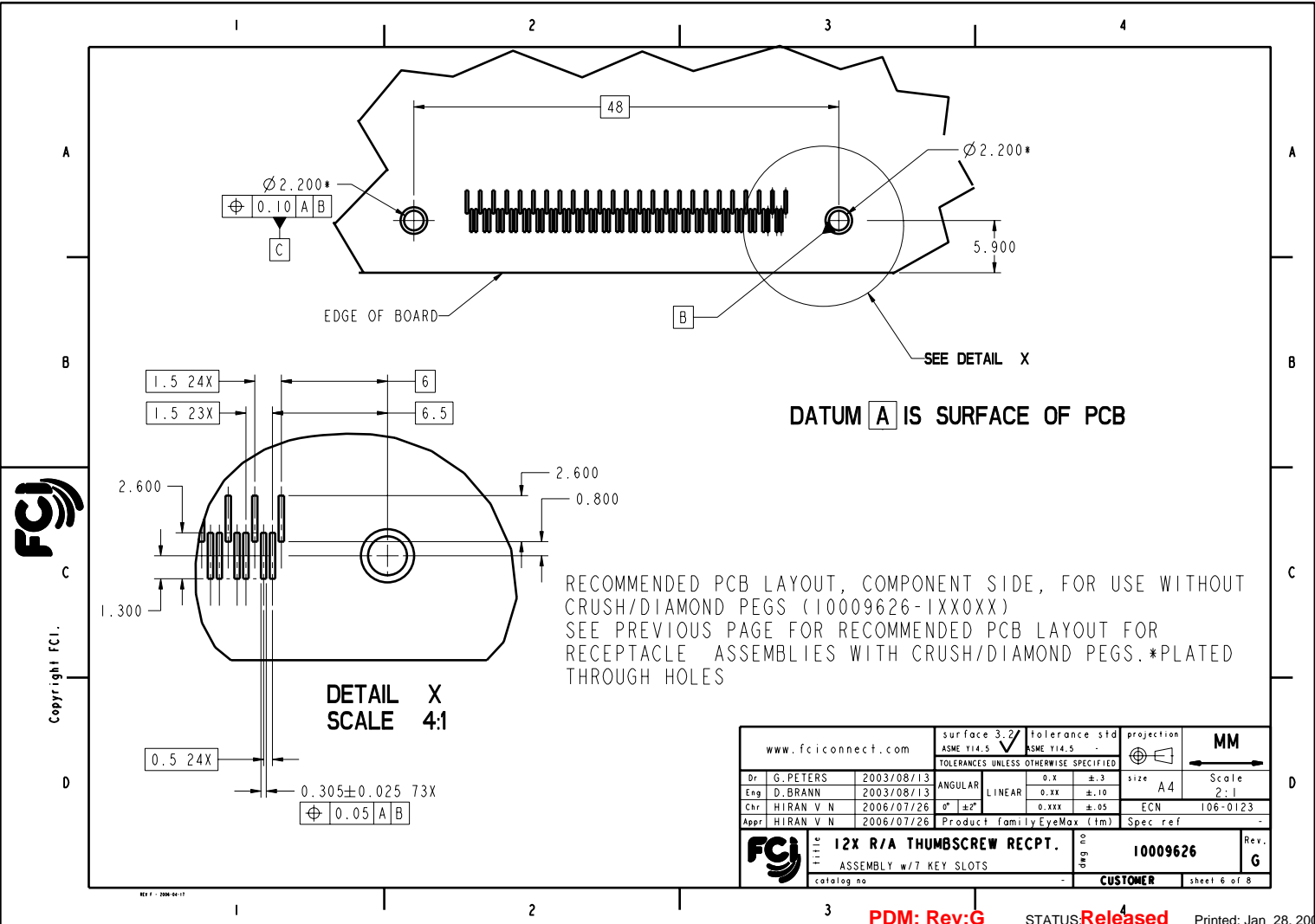


DATUM A IS SURFACE OF PCB

RECOMMENDED PCB LAYOUT, COMPONENT SIDE, FOR USE WITH CRUSH/DIAMOND PEGS (10009626-1XX1XX).  
 SEE NEXT PAGE FOR RECOMMENDED PCB LAYOUT FOR RECEPTACLE ASSEMBLIES WITHOUT CRUSH/DIAMOND PEGS. \*RECEPTACLE CAN ALSO BE PLACED WITH 1.82+0.05/-0.0 BY 2.6±0.05 SLOT AT THIS LOCATION ON THE PCB

DETAIL Y SCALE 4:1

|                                       |   |                           |                             |                  |
|---------------------------------------|---|---------------------------|-----------------------------|------------------|
| www.fciconnect.com                    |   | surface 3.2<br>ASME Y14.5 | Tolerance std<br>ASME Y14.5 | projection<br>MM |
| TOLERANCES UNLESS OTHERWISE SPECIFIED |   | 0.X ±.3                   | size<br>A4                  | Scale<br>1:1     |
| Dr G. PETERS                          | 2003/08/13  | ANGULAR                   | 0.XX ±.10                   | ECN 106-0123     |
| Eng D. BRANN                          | 2003/08/13  | LINEAR                    | 0.XXX ±.050                 | Spec ref         |
| Chr HIRAN V N                         | 2006/07/26  | 0° ±2°                    | Product family EyeMax (tm)  |                  |
| Appr HIRAN V N                        | 2006/07/26  |                           |                             |                  |
|                                       | 12X R/A THUMBSCREW RECPT.<br>ASSEMBLY w/7 KEY SLOTS | part no                   | 10009626                    | Rev. G           |
| catalog no                            |   | CUSTOMER                  | sheet 5 of 8                |                  |

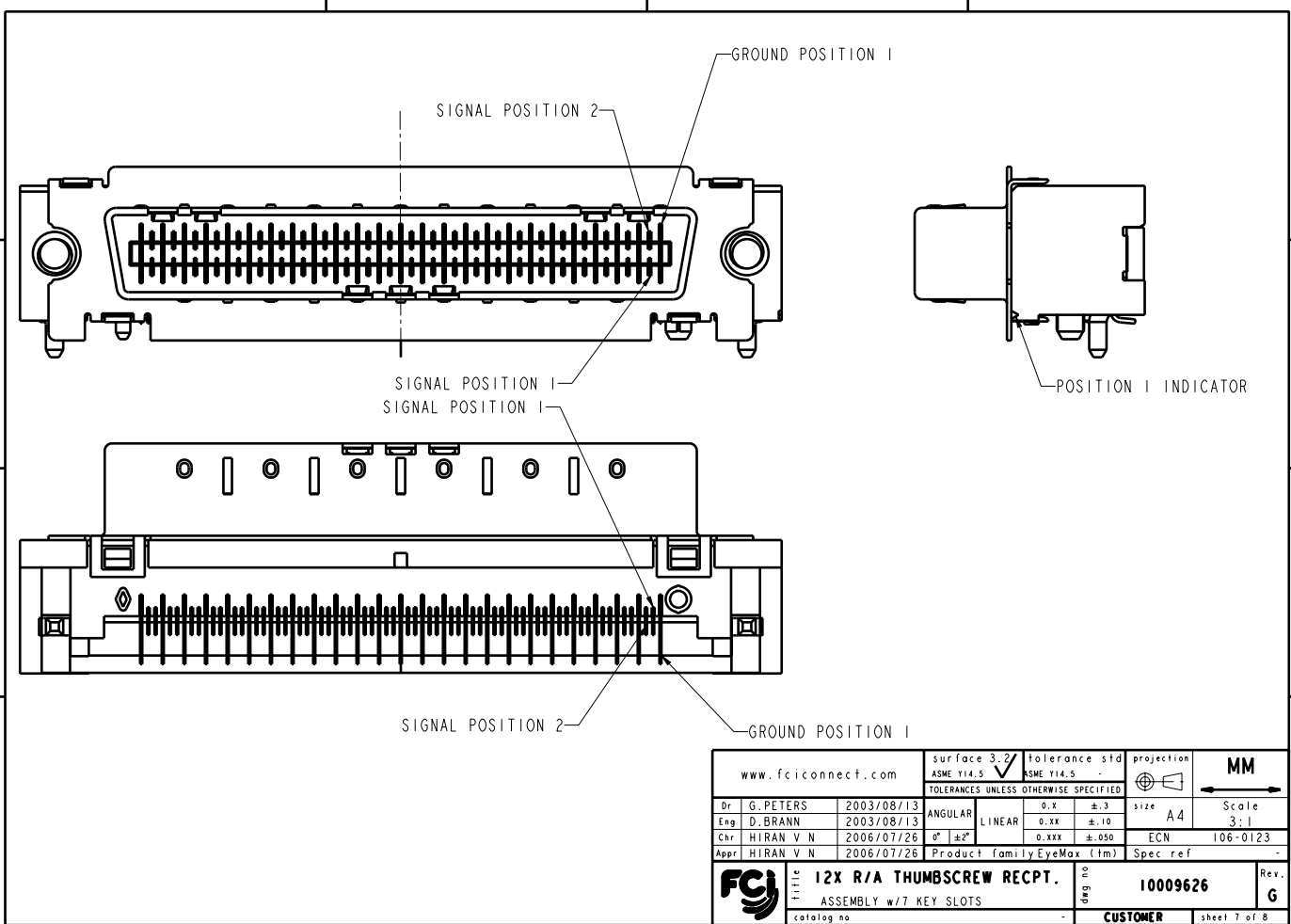


Copyright FCI.

|   |            |                           |                             |                            |
|---|------------|---------------------------|-----------------------------|----------------------------|
| www.fciconnect.com                                      |            | surface 3.2<br>ASME Y14.5 | Tolerance std<br>ASME Y14.5 | projection<br>MM           |
| TOLERANCES UNLESS OTHERWISE SPECIFIED                   |            | 0.X ±.3                   | size A4                     | Scale 2:1                  |
| Dr G. PETERS  | 2003/08/13 | ANGULAR                   | 0.XX ±.10                   | ECN 106-0123               |
| Eng D. BRANN  | 2003/08/13 | LINEAR                    | 0.XXX ±.05                  | Product family EyeMax (tm) |
| Chr HIRAN V N   | 2006/07/26 | 0° ±2°                    | Product family EyeMax (tm)  | Spec ref                   |
| Appr HIRAN V N  | 2006/07/26 |                           |                             |                            |
| FCI 12X R/A THUMBSCREW RECPT.<br>ASSEMBLY w/7 KEY SLOTS |            | part no                   | 10009626                    | Rev. G                     |
| catalog no  |            | CUSTOMER                  |                             | sheet 6 of 8               |



Copyright FCJ.



|   |            |                           |                             |                  |
|---|------------|---------------------------|-----------------------------|------------------|
| www.fciconnect.com                                  |            | surface 3.2<br>ASME Y14.5 | Tolerance std<br>ASME Y14.5 | projection<br>MM |
| TOLERANCES UNLESS OTHERWISE SPECIFIED               |            | 0.x ±.3                   | 0.xx ±.10                   | size A4          |
| Dr G. PETERS  | 2003/08/13 | ANGULAR                   | LINEAR                      | Scale 3:1        |
| Eng D. BRANN  | 2003/08/13 | 0° ±2°                    | 0.xxx ±.050                 | ECN 106-0123     |
| Chr HIRAN V N                                       | 2006/07/26 | Product family            | EyeMax (tm)                 | Spec ref -       |
| Appr HIRAN V N                                      | 2006/07/26 | FCJ                       |                             | Rev. G           |
| 12X R/A THUMBSCREW RECPT.<br>ASSEMBLY w/7 KEY SLOTS |            | cat no                    | 10009626                    | CUSTOMER         |
| -   |            | sheet 7 of 8              | -                           |                  |

REV. - 2006-06-17

**PRODUCT NUMBER**

10009626-1XXXX

**CONNECTOR NOTES:**

- ① HOUSING MATERIAL: UL94 V-0 LCP RESIN.  
SIGNAL PIN MATERIAL: COPPER ALLOY.  
GROUND CONTACT MATERIAL: COPPER ALLOY.
- ② PLATING: LEAD FREE SOLDER TAILS 2µm (80µin) MIN MATTE  
TIN OVER 1.27µm (50µin) MIN NICKEL UNDERPLATE.
- ③ P/N AND DATE CODE TO APPEAR ON THIS SURFACE.
- 4. PRODUCT SPECIFICATION GS-12-209.  
APPLICATION SPECIFICATION GS-20-025
- 5. CONNECTOR WEIGHT = 11.06 grams
- 6. PACKAGING SPECIFICATION GS-14-794. PACKAGING OF LEAD FREE  
PRODUCTS MEETS LABELING AND PACKAGING SPECIFICATION GS-14-920.
- 7. MAXIMUM PANEL THICKNESS 1.70mm.
- ⑧ MAXIMUM TORQUE 0.45 N-m ( 4 lbf-in).

**PCB NOTES:**

- 9. ALL DIMENSIONS ARE BASIC UNLESS OTHERWISE SPECIFIED.
- 10. ALL HOLE DIAMETERS ARE FINISHED HOLE SIZE
- 11. MATES WITH EYEMAX® PLUG 58443 (WITHOUT PCB), 58638 (WITH UNEQUALIZED PCB) OR 10026694 (WITH EQUALIZED PCB).
- 12. LEAD FREE PRODUCTS MEET EUROPEAN UNION DIRECTIVES AND OTHER COUNTRY REGULATIONS AS DESCRIBED IN GS-22-008.
- 13. THE HOUSING WILL WITHSTAND EXPOSURE TO 260°C PEAK TEMPERATURE FOR 15 SECONDS IN A CONVECTION, INFRARED OR VAPOR PHASE REFLOW OVEN.

10009626-1XXXXXXYY

- SOLDERTAIL PLATING  
BLANK-TIN/LEAD  
LF-LEAD FREE (SEE NOTE 2)
- KEYING OPTIONS  
0-NONE
- PACKAGING  
1-TAPE & REEL  
2-TRAY  
3-TAPE & REEL WITH THREADED STAND-OFFS INCLUDED (PACKAGED SEPARATELY). 2 PER CONNECTOR.  
4-TRAY WITH THREADED STAND-OFFS INCLUDED (PACKAGED SEPARATELY). 2 PER CONNECTOR.
- PEGS  
0-NONE  
1-CRUSH/DIAMOND PEGS
- PCB THICKNESS  
1-1.6mm  
2-2.4mm  
3-4.0mm
- EMI GASKET  
0- WITH GASKET  
1- WITHOUT GASKET
- GOLD OVER NICKEL IN CONTACT AREA

| PRODUCT NUMBER  | BOARD THICKNESS | DIM A |
|-----------------|-----------------|-------|
| 10009626-1X1XXX | 1.6mm           | 2.3mm |
| 10009626-1X2XXX | 2.4mm           | 3.1mm |
| 10009626-1X3XXX | 4.0mm           | 4.7mm |

|                                       |   |                            |                             |                       |
|---------------------------------------|---|----------------------------|-----------------------------|-----------------------|
| www.fciconnect.com                    |   | surface 3.2<br>ASME Y14.5  | Tolerance std<br>ASME Y14.5 | projection<br>MM      |
| TOLERANCES UNLESS OTHERWISE SPECIFIED |   | 0.X ±.3                    | size A4                     | Scale 1:1             |
| Dr G. PETERS                          | 2003/08/13  | ANGULAR                    | 0.XX ±.10                   | ECN 106-0123          |
| Eng D. BRANN                          | 2003/08/13  | LINEAR                     | 0.XXX ±.050                 | Spec ref -            |
| Chr HIRAN V N                         | 2006/07/26  | Product family EyeMax (tm) |                             |                       |
| Appr HIRAN V N                        | 2006/07/26  |                            |                             |                       |
|                                       | 12X R/A THUMBSCREW RECPT.<br>ASSEMBLY w/7 KEY SLOTS | 10009626                   | Rev. G                      | CUSTOMER sheet 8 of 8 |



Copyright FCI.

REV. 2006-02-17

PDM: Rev:G

STATUS: Released

Printed: Jan 28, 2008