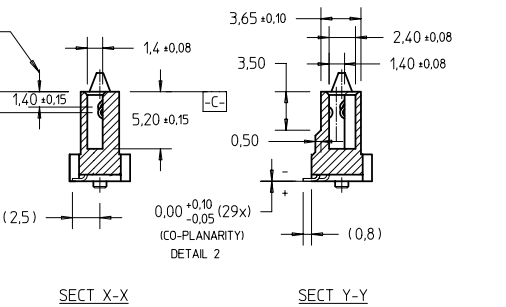
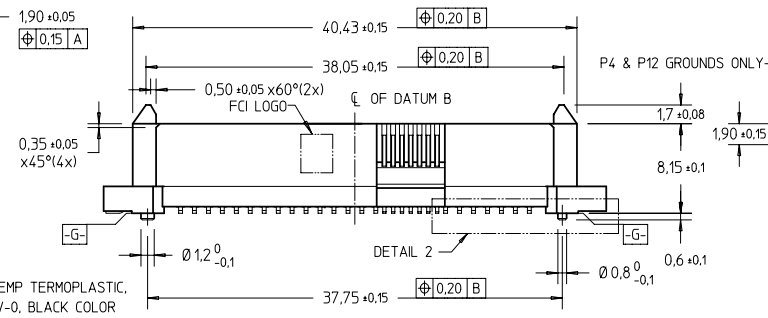
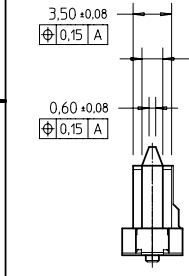
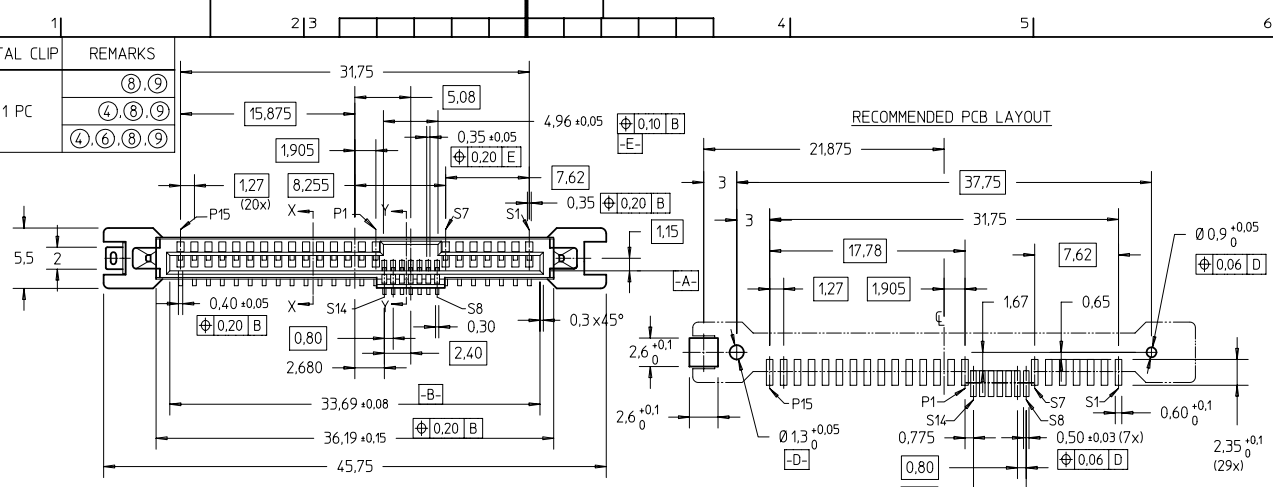


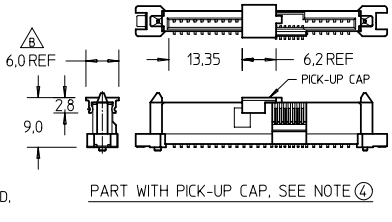
FCI CONFIDENTIAL

FCI
FCIconnect.com
This document is the property of and embodies CONFIDENTIAL and PROPRIETARY information of FCI. No part of the information shown on this drawing is to be disclosed, copied, or otherwise used without the written consent of FCI.
Copyright FCI

PRODUCT NO	METAL CLIP	REMARKS
10077259-001LF	1 PC	(8) (9)
10077259-001CLF		(4) (8) (9)
10077259-001C-TRLF		(4) (6) (8) (9)



- NOTES:
- MATERIAL:
 - HOUSING : HIGH TEMP TERMOPLASTIC, UL 94V-0, BLACK COLOR
 - TERMINAL : COPPER ALLOY
 - HOLD DOWN : COPPER ALLOY
 - FINISH:
 - TERMINAL : 30u" Au PLATING (CONTACT POINT) OVER 50u" NICKEL
 - SOLDER TAIL : 100u" min Sn OVER 50u" NICKEL
 - HOLD DOWN : 100u" min Sn OVER 50u" NICKEL
 - PER SFF REV 1.1
 - PART WITH PICK-UP CAP, P/N XXXXXXXX-XXXC_LF
 - THE STD PACKAGING IS IN TRAY
 - FOR TAPE & REEL PACKAGING, SUFFIX "-TR" ADDED, P/N XXXXXXXX-XXXC-TR_LF



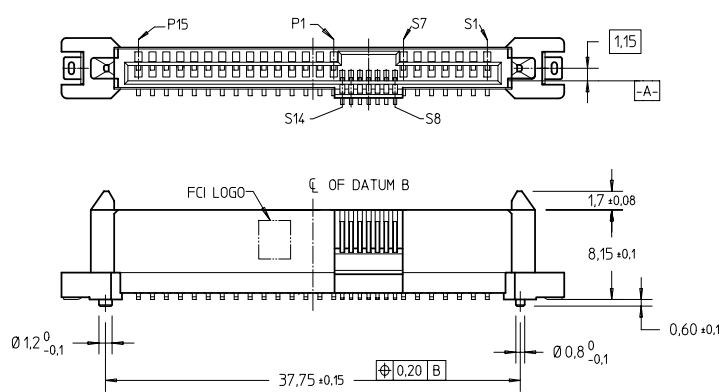
mat'l code		surface	tolerance	projection	product family
itr	ecn no	dr	date	ISO 1302	SAS
A	S07-0288	GLL	2007-08-22	ISO 406 ISO 1101	
B	S09-0283	GLL	2009-09-09	tolerances unless otherwise specified	
		angles	linear	mm	
		± 2°	= +0.20	scale 2:1	
		dr	GL L00	2007-03-06	
		engr	GL L00	2007-03-06	
		chr	GL L00	2009-09-09	
		appd	JOEY NS	2009-09-09	
sheet	revision	B	B		
index	sheet	1	2		

FCI CONFIDENTIAL



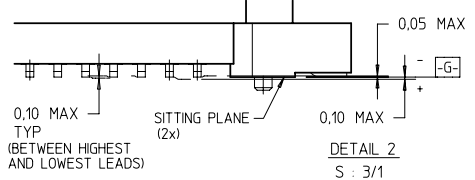
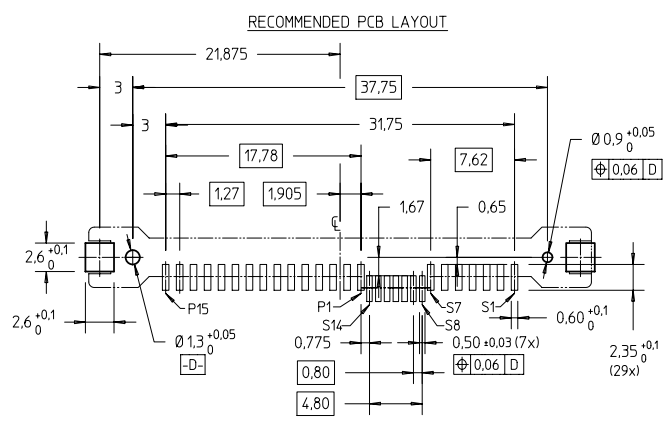
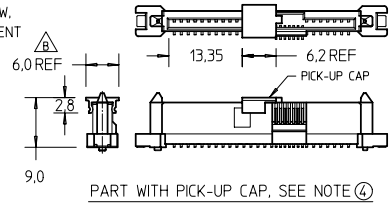
This document is the property of and embodies CONFIDENTIAL and PROPRIETARY information of FCI. No part of the information shown here may be reproduced, stored in a retrieval system, or used in any way or disclosed to any third party without the written consent of FCI. Copyright FCI.

PRODUCT NO	METAL CLIP	REMARKS
10077259-002LF		⑧.⑨
10077259-002CLF	2 PCS	④.⑧.⑨
10077259-002C-TRLF		④.⑥.⑧.⑨



NOTES:
ALL OTHER DIMENSIONS, REFER TO SHEET 1.

- NOTES: (cont'd)
- 7 THE HOUSING WILL WITHSTAND EXPOSURE TO 260°C PEAK TEMPERATURE FOR 10 SECONDS IN A CONVECTION, INFRA-RED OR VAPOR PHASE REFLOW OVEN.
 - ⑧ THIS PRODUCT MEETS EUROPEAN UNION DIRECTIVES AND OTHER COUNTRY REGULATIONS AS DESCRIBED IN GS-22-008.
 - ⑨ PART NUMBERS ENDING IN "LF" MEANS FOR NOTE 8 LEAD FREE IDENTIFICATION.
 - 10 A Δ SYMBOL WILL BE NEXT TO ANY DIMENSION, VIEW, OR NOTE WHICH HAS BEEN MODIFIED WITH THE CURRENT DRAWING REVISION.



mat'l. code		surface	tolerance	projection	product family
ltr	ecn no	iso 1302	iso 406 iso 1101	ϕ	SAS
B		tolerances unless otherwise specified		mm	title
		angles	linear	scale 2:1	SAS RECEPTACLE VERTICAL SMT TYPE ASSY
		$\pm 2^\circ$	± 0.20		dwg no
		dr	GL L00	2007-03-06	10077259
		engr	GL L00	2007-03-06	sheet 2 of 2 size
		chr	GL L00	2009-09-09	A4
		appd	JOEY NS	2009-09-09	type
					CUSTOMER Drawing